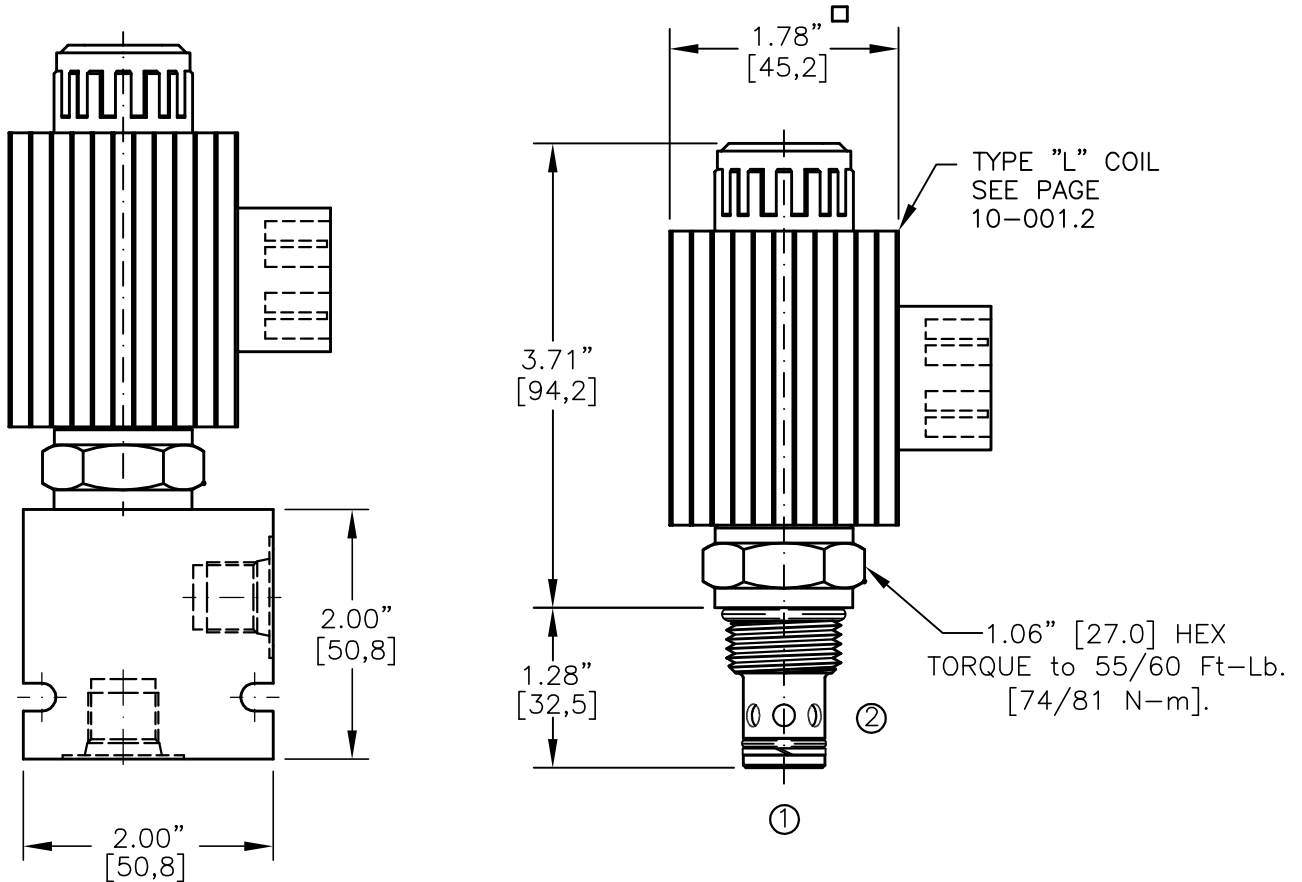
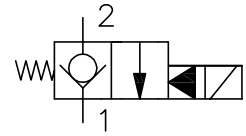




SOLENOID VALVE, NORMALLY CLOSED.  
PILOT OPERATED, POPPET TYPE (2/2)



NOTES:

- 1. FOR ALUMINUM OR STEEL VALVE HOUSING CONFIGURATIONS SEE PAGE 0-012.0
- 2. SOLENOIDS AVAILABLE WITH DIODES - CONSULT FACTORY.
- 3. ALL A.C. COILS ARE INTERNALLY A.C. TO D.C. RECTIFIED.

EMDV-10-X-C2-X-XXX X

BASIC

SIZE  
10 = 7/8"-14UNF

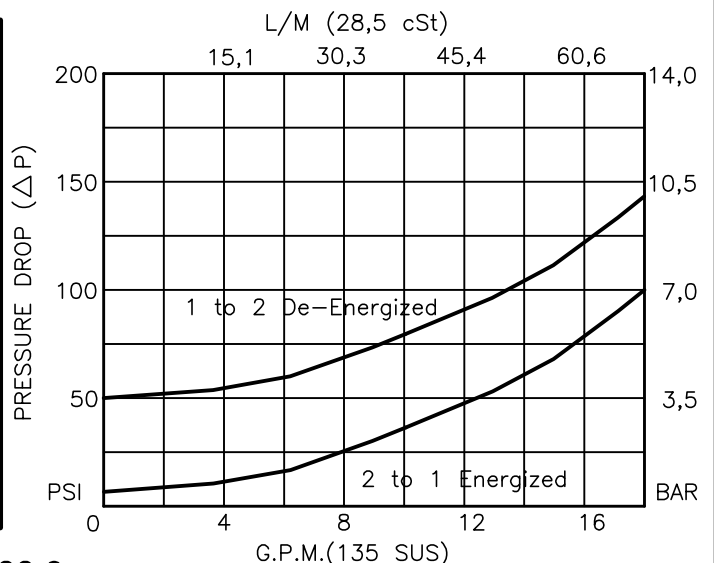
SEALS  
N = BUNA "N"  
V = VITON

TYPE  
C2=NORMALLY CLOSED POPPET  
2-WAY, 2-POSITION

PORTS  
0 = CARTRIDGE ONLY  
06TX = SAE - #6  
08TX = SAE - #8  
"A" = ALUM. HOUSING  
"S" = STEEL HOUSING

TERMINALS  
L=18GA. 24" LEADS  
T=SPADE TERM.  
B=BOLT TERM.  
G=DIN43650  
W=WEATHER-PACK  
D=DEUTSCH-DT04-2P  
M=METRI-PACK CONN.

VOLTAGE	AMPS
12D = 12 VDC	3.00
24D = 24 VDC	1.50
36D = 36 VDC	1.00
48D = 48 VDC	0.75
110D = 110 VDC	0.33
115A = 115 VAC	0.32
230A = 230 VAC	0.16





## SOLENOID VALVE, NORMALLY CLOSED, PILOT OPERATED, POPPET TYPE (2/2)

### DESCRIPTION

This unit is a NORMALLY CLOSED, TWO POSITION, cartridge type, poppet type, pilot operated, screw in type, solenoid operated, directional control valve.

### OPERATIONS

When solenoid coil is de-energized, this valve allows no flow from ports 2 to 1 and free flow from ports 1 to 2. When solenoid coil is energized, the poppet in this valve is shifted and allows flow from ports 2 to 1 and restricted flow from ports 1 to 2.

### FEATURES AND BENEFITS

Continuous-duty, very low heat rise & waterproof solenoid coil. Interchangeable solenoid coils & terminations options available. Hardened precision fitted poppet & sleeve provides reliable, long life. Very efficient, wet-armature solenoid core tube construction. All external carbon steel parts are plated for longer life against the elements. All cartridge valves are 100% functionally tested. Industry common cavity.

### SPECIFICATIONS

OPERATING PRESSURE: 5,000 PSI [350 Bar]  
PROOF PRESSURE: 10,000 PSI [700 Bar]  
FLOW: 16.0 GPM [60 l/m] See performance chart.  
INTERNAL LEAKAGE: 5 drops/min [0.25 cc/m] @ 5,000 PSI [350 Bar]  
VALVE HOUSINGS: 2500 PSI [175 Bar] = Aluminum - Anodized.  
5000 PSI [350 Bar] = Steel - Unplated.  
OPERATING TEMPERATURE: -40° to +250° F. [-40° to +120° C.]  
OPERATING MEDIA: All general purpose hydraulic fluids such as MIL-H-5606, SAE-#10, SAE-#20, etc.  
RESPONSE TIME: First indication of change in pressure with 100% voltage supplied @ 80% of nominal flow rating.  
\* Pull-in: 50 ms  
\* Drop-Out: 50 ms  
SEAL KIT: SKN-1021 Buna "N"  
SKV-1021 Viton  
INSTALLATION: No restrictions.  
WEIGHT: 1.90 lb [0,86 kg] cartridge with coil only.  
VALVE CAVITY: #C1020, See Page 0-012.0.