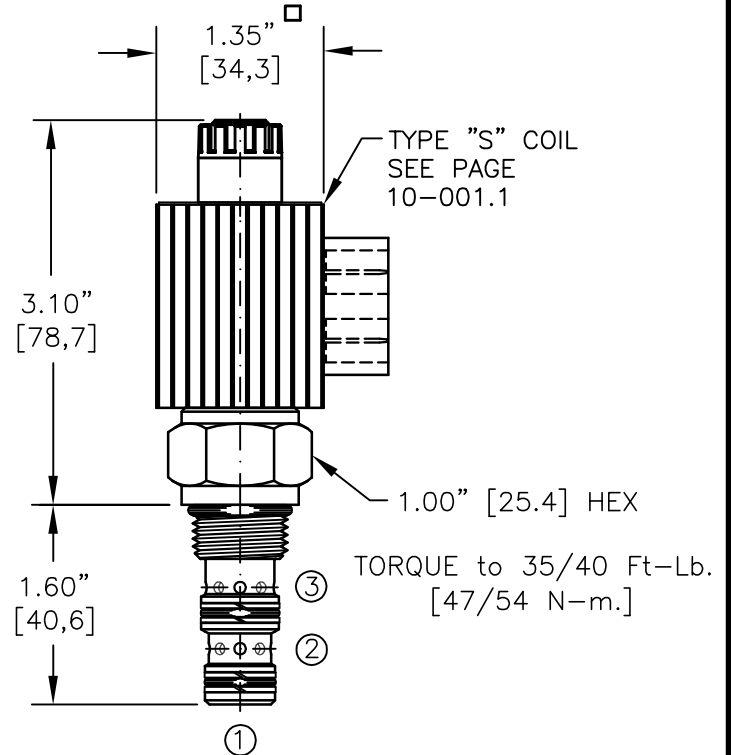
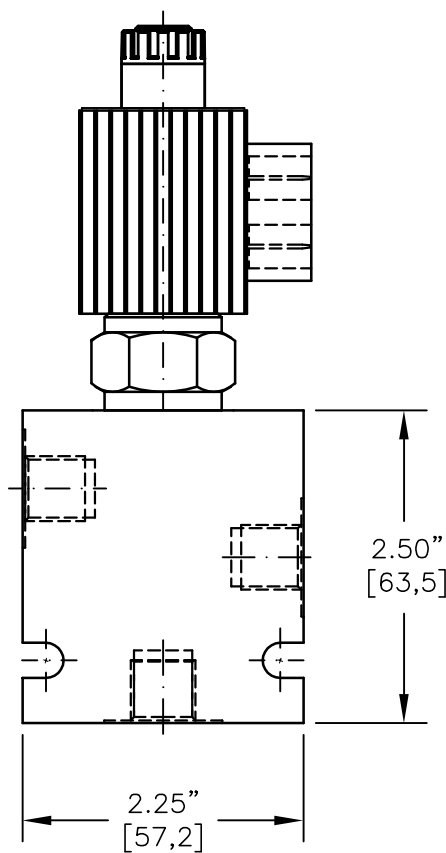
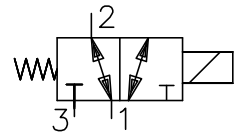




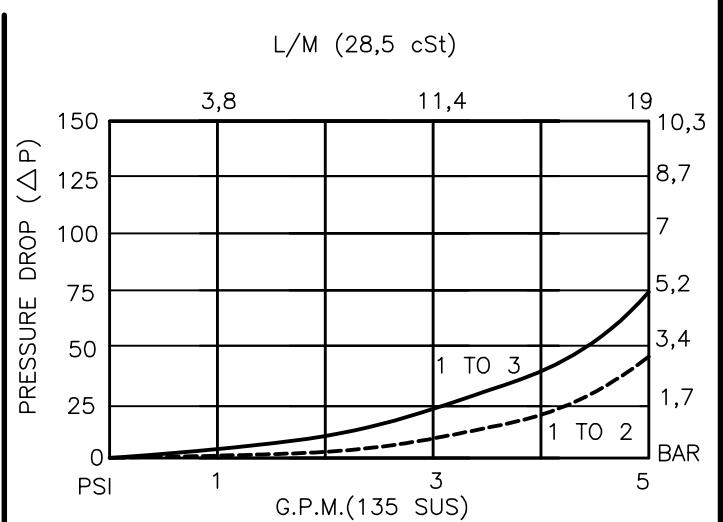
SOLENOID VALVE, 3-WAY, 2-POSITION
CLOSED CENTER, SPOOL TYPE (3/2)



NOTES:

1. FOR ALUMINUM OR STEEL VALVE HOUSING CONFIGURATIONS SEE PAGE 0-031.1
2. SOLENOIDS AVAILABLE WITH DIODES - CONSULT FACTORY.
3. FOR "AC" COILS USE RECTIFIED DIN CONNECTOR 20828.

EMDV-08-X-3L-X-XXX X	
BASIC	TERMINALS
SIZE	L=18GA. 24" LEADS
08 = 3/4"-16UNF	T=SPADE TERM.
SEALS	B=BOLT TERM.
N = BUNA "N"	G=DIN43650
V = VITON	W=WEATHER-PACK
TYPE	D=DEUTSCH-DT04-2P
3L= "L" SPOOL	M=METRI-PACK CONN.
3-WAY, 2-POSITION	VOLTAGE
AMPS	12D = 12 VDC 1.7
PORTS	24D = 24 VDC .9
0 = CARTRIDGE ONLY	36D = 36 VDC .6
02BX = G 1/4" BSSP	48D = 48 VDC .5
06TX = SAE - #6	115D = 115 VDC .2
"A" = ALUM. HOUSING	
"S" = STEEL HOUSING	





SOLENOID VALVE 3-WAY, 2-POSITION, DIRECT ACTING, SPOOL TYPE (3/2)

DESCRIPTION

This unit is a THREE-WAY, TWO POSITION, cartridge type, spool type, direct acting, screw in type, solenoid operated, directional control valve.

OPERATIONS

When solenoid coil is de-energized, this valve allows flow between ports 1 and 2, port 3 is blocked.
When solenoid coil is energized, the spool in this valve is shifted and allows flow between ports 2 and 3 and port 1 is blocked. This valve shifts in a closed position.

FEATURES AND BENEFITS

Continuous-duty, very low heat rise & waterproof solenoid coil.
Interchangeable solenoid coils & terminations options available.
Hardened precision fitted spool & sleeve provides reliable, long life.
Very efficient, wet-armature solenoid core tube construction.
All external carbon steel parts are plated for longer life against the elements.
All cartridge valves are 100% functionally tested.
Industry common cavity.

SPECIFICATIONS

OPERATING PRESSURE: 5,000 PSI [350 Bar]
PROOF PRESSURE: 10,000 PSI [700 Bar]
FLOW: 5.0 GPM [19 l/m] See performance chart.
INTERNAL LEAKAGE: 5 cu.in/min [82 cc/m] @ 5,000 PSI [350 Bar]
VALVE HOUSINGS: 2500 PSI [175 Bar] = Aluminum - Anodized.
5000 PSI [350 Bar] = Steel - Unplated.
OPERATING TEMPERATURE: -40° to +250° F. [-40° to +120° C.]
OPERATING MEDIA: All general purpose hydraulic fluids such as MIL-H-5606, SAE-#10, SAE-#20, etc.
RESPONSE TIME: First indication of change in pressure with 100% voltage supplied @ 80% of nominal flow rating.
* Pull-in: 50 ms
* Drop-Out: 50 ms
SEAL KIT: SKN-0832 Buna "N"
SKV-0832 Viton
INSTALLATION: No restrictions.
WEIGHT: .95 lb [0.43 kg] cartridge with coil only.
VALVE CAVITY: #C0830, See Page 0-031.0.