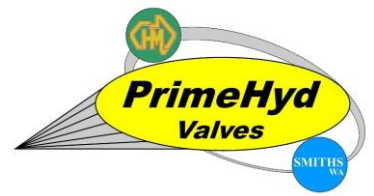
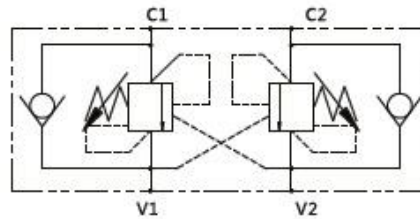


DOUBLE OVERCENTRE VALVE



SCHEMATIC



DESCRIPTION

The DOCV is a double overcentre valve , for use in high pressure hydraulic circuits.

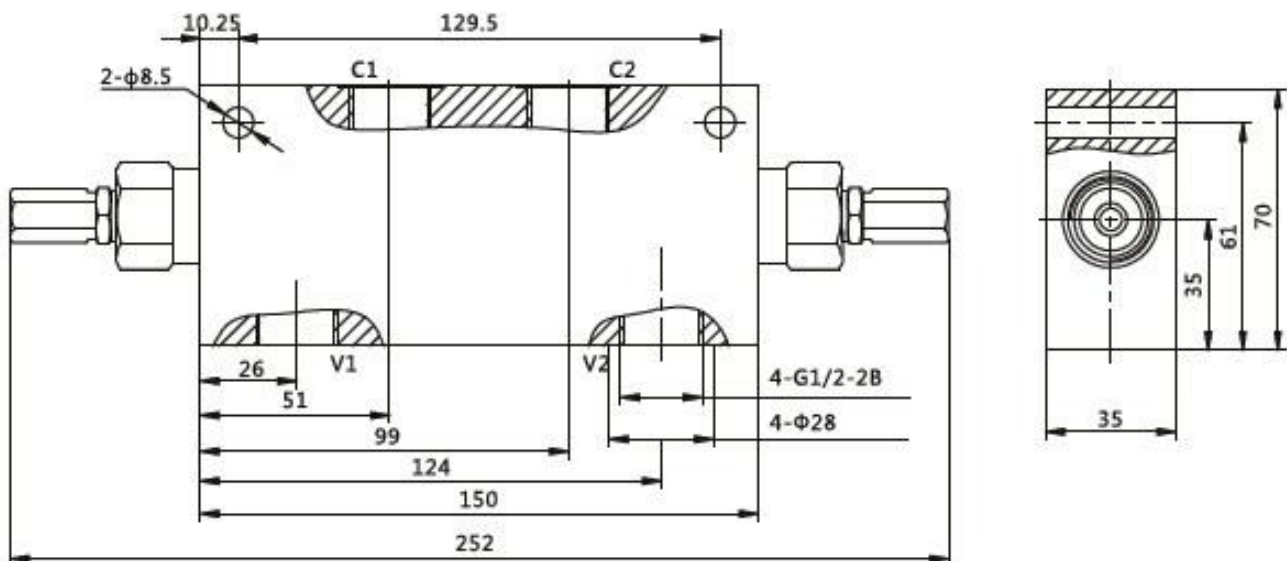
OPERATION

The valve is used to block hydraulic flow in both directions. Flow is free in one direction and blocked in the reverse direction until pilot pressure is applied.

SPECIFICATIONS

Model	DOCV-38	DOCV-12
Pilot Ratio	4.5:1	4.5:1
Rated Flow	40 L/min	60 L/min
Rated Pressure	35 MPa	35 MPa
V1-V2	3/8"	1/2"

DIMENSIONS



*All measurements in mm.