

# AQF Accumulator Safety Valve

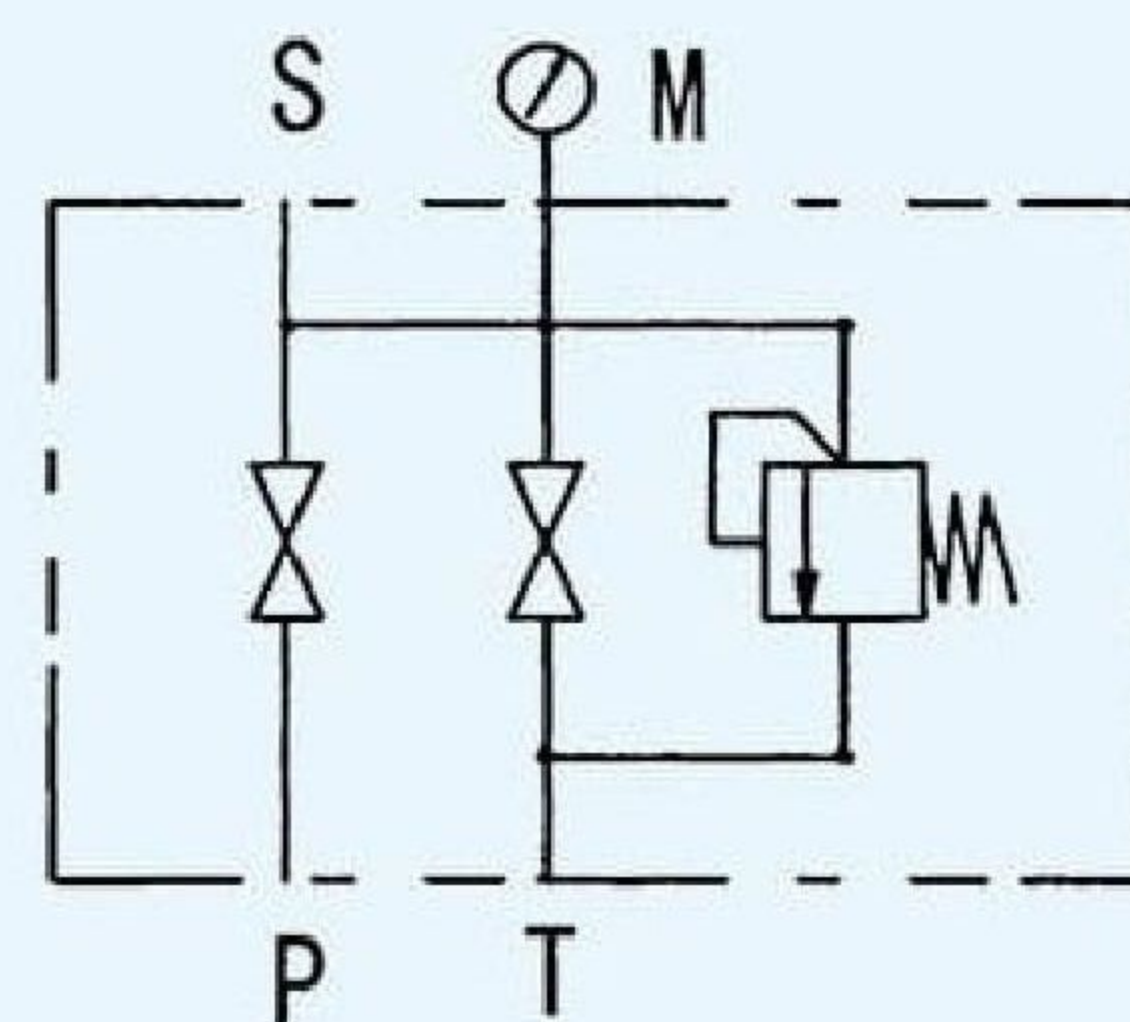


## Model Code:

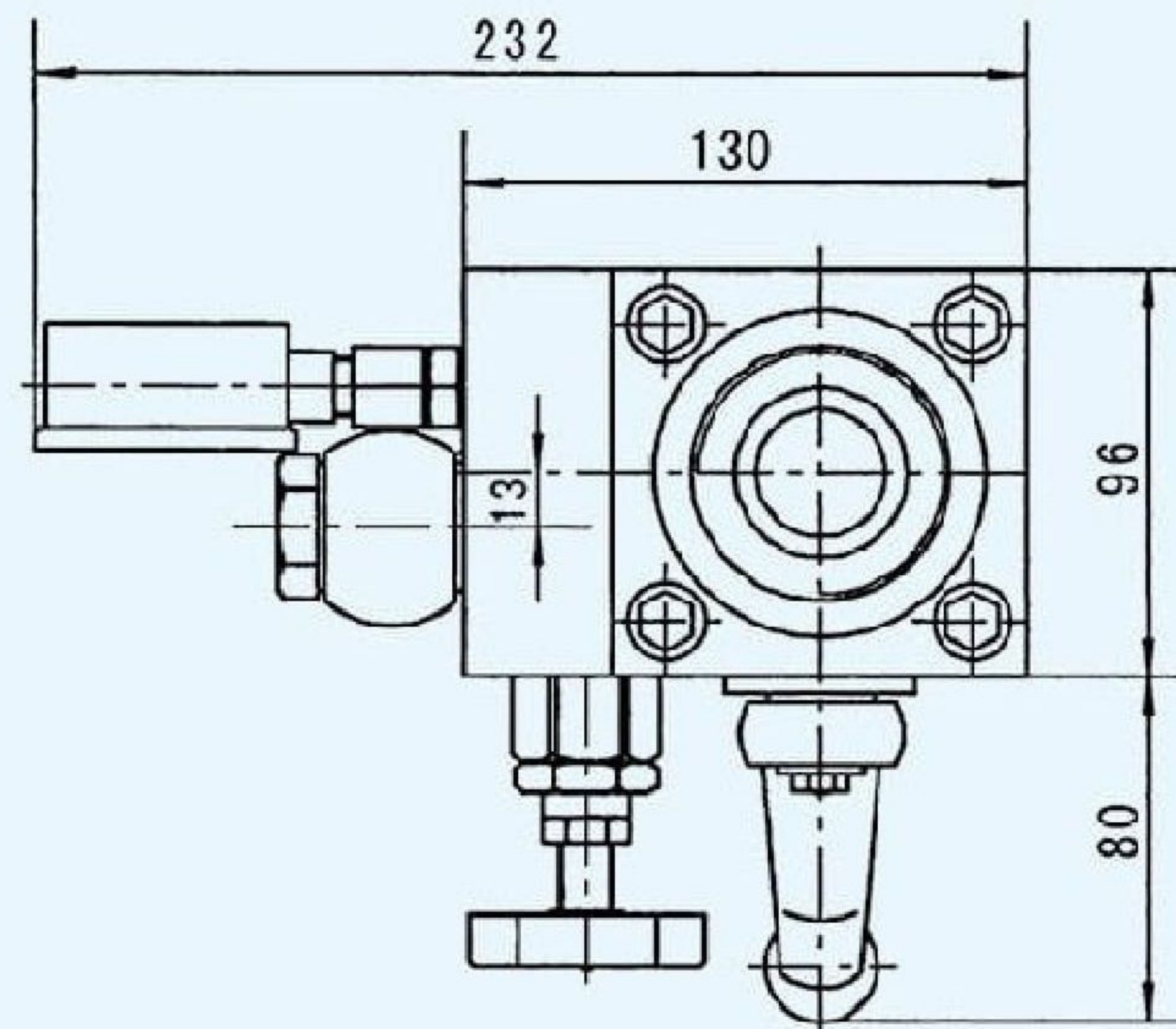
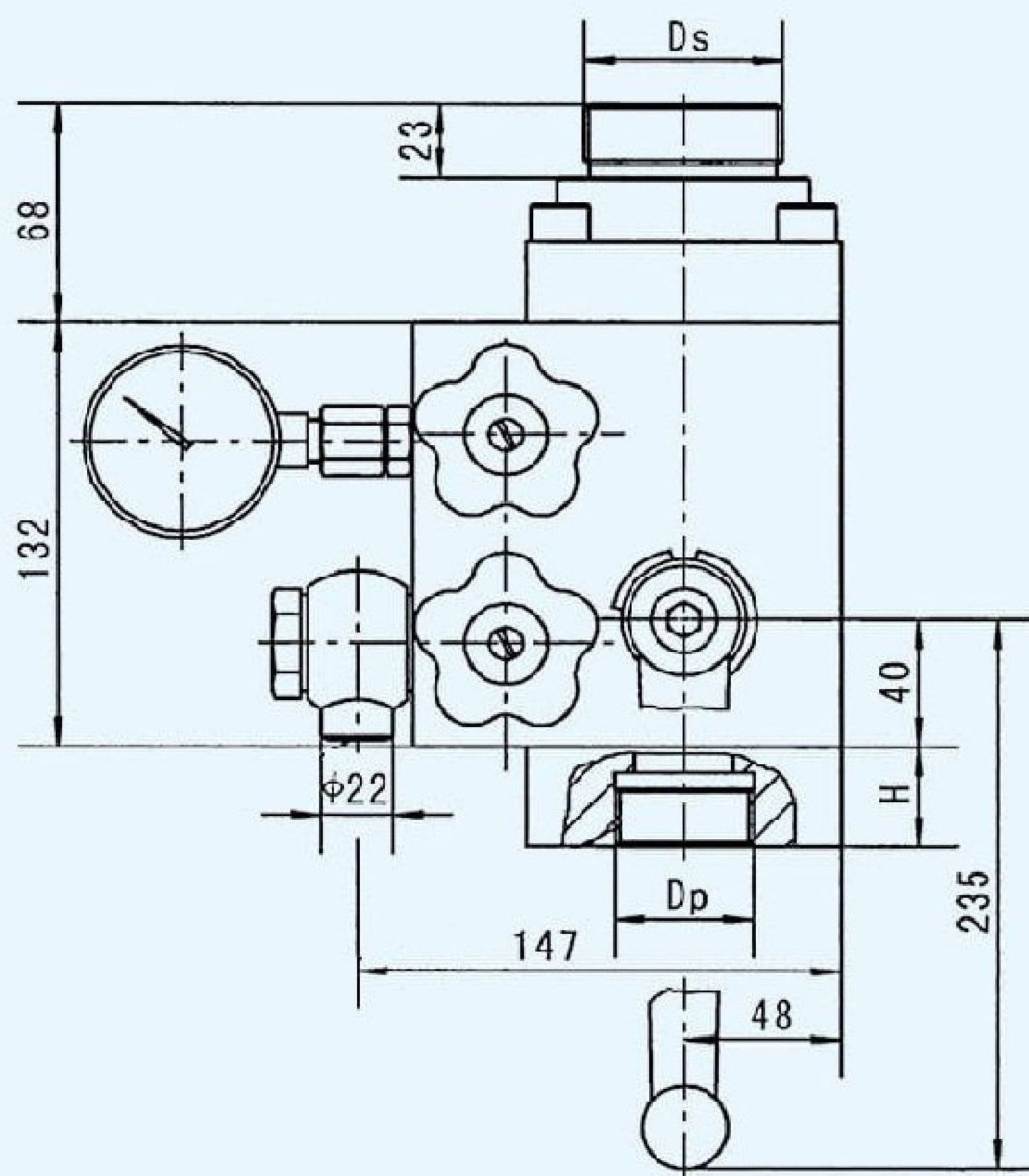
<b>AQF</b>	-	<b>L</b>	<b>32</b>	<b>H※</b>	-	<b>A</b>
[1]		[2]	[3]	[4]		[5]

- [1] Product Code: AQF accumulator safety valve      [4] Pressure Grade: H1-10MPa  
 H2-20MPa  
 H3-31.5MPa
- [2] Enter Oil input: L - Straight  
 LS - Right Angle  
 LW - Three-way
- [3] Nominal Path: 25, 32, 40mm      [5] Structure Type: A - direct acting overflow valve

## Schematic:



## Drawing:



## Dimensions:

Type	Flow rate (L/min)	Connection Size			Accumulator (L)	Weight (Kg)
		H	Ds	Dp		
AQF-L25H※-A	100	31	M27X2 M42X2	M33X2	1.6-10	19
AQF-LS25H※-A		42		M42X2		
AQF-LW25H※-A						
AQF-L32H※-A	160	31	M42X2 M60X2	M42X2	10-100	19.5
AQF-LS32H※-A		42		M52X2		
AQF-LW32H※-A						
AQF-L40H※-A	250	31	M60X2 M72X2	M48X2	10-100	20
AQF-LS40H※-A		42		M60X2		
AQF-LW40H※-A						