

SERIES 10

SPECIFICATIONS

Wattage: 10 volts: nominally 19 watts at 68°F./20°C.
12, 20, 24, 120 and 240 volts: nominally 22 watts at 68°F./20°C.

Duty Rating: Continuous up to 100% voltage.

Ambient Operating Temperature: 212°F/100°C.

Encapsulating Material: Thermoplastic Polyester (PET) (Rynite FR530)

A.C. Coils: Internally rectified with a full wave bridge (no inrush current).

Termination Options: See below and on the next page.

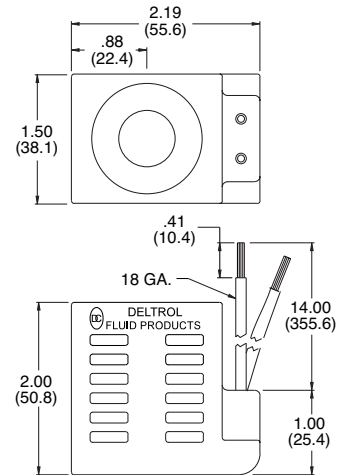
VOLTS	19 WATT		22 WATT	
	OHMS	INITIAL CURRENT DRAW (AMPS)	OHMS	INITIAL CURRENT DRAW (AMPS)
10 DC	5.3	1.9		
12 DC			6.5	1.83
20 DC			18.2	1.10
24 DC			26.1	.92
120 AC			Δ496	.18
240 AC			Δ1830	.18

ΔRESISTANCE CANNOT BE MEASURED ON AC COIL ASSEMBLIES

DUAL LEAD

CODE - **D

VOLTS	PART NO.	CODE	LEAD COLOR
10 DC	10163-99	D10D	GREEN
12 DC	10162-76	D1D	RED
20 DC	10223-97	DC135	RED
24 DC	10162-77	D2D	BLUE
120 AC	10162-82	A5D	BLACK
240 AC	10162-83	A6D	YELLOW

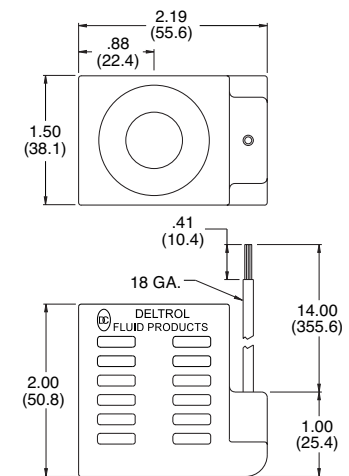


LEAD WIRES: 18/20 GAUGE MEETS SAE J1128 XLPE, TYPE SXL.

SINGLE LEAD

CODE - **S

VOLTS	PART NO.	CODE	LEAD COLOR
10 DC	10164-12	D10S	GREEN
12 DC	10164-10	D1S	RED
24 DC	10164-11	D2S	BLUE



LEAD WIRES: 18/20 GAUGE MEETS SAE J1128 XLPE, TYPE SXL.

S-Coil, Series 10

Internal Frame (continued)

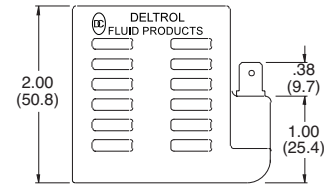
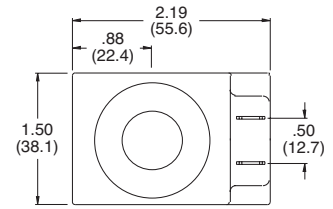
SERIES 10

DUAL SPADE

CODE - **B

VOLTS	PART NO.	CODE
10 DC	10164-08	D10B
12 DC	10162-91	D1B
20 DC	10234-53	D20B
24 DC	10162-92	D2B
120 AC	10162-90	A5B
240 AC	10164-09	A6B

TERMINATION:
1/4" MALE QUICK-CONNECT
PER SAE J858A (TYPE 1B)

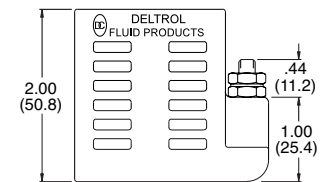
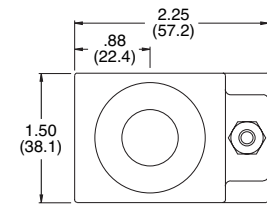


SINGLE STUD

CODE - **E

VOLTS	PART NO.	CODE
10 DC	10164-15	D10E
12 DC	10164-13	D1E
24 DC	10164-14	D2E

TERMINATION:
10-32 MALE STUD WITH
2 BRASS NUTS AND 1 STEEL
EXTERNAL TOOTH LOCKWASHER

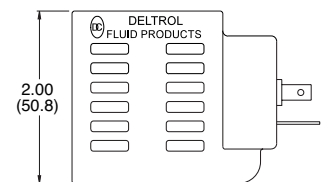
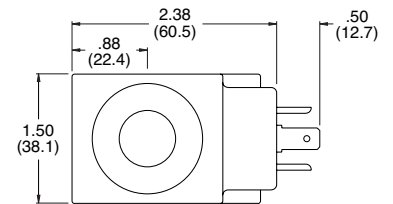


DIN 43650 (Hirschmann®)

CODE - **H

VOLTS	PART NO.	CODE
10 DC	10164-02	D10H
12 DC	10162-78	D1H
24 DC	10162-79	D2H
120 AC	10162-84	A5H
240 AC	10162-85	A6H

TERMINATION:
HIRSCHMANN GSR 200
(2 POLE + GROUND APPLIANCE PLUG)
MATING CONNECTOR 43650

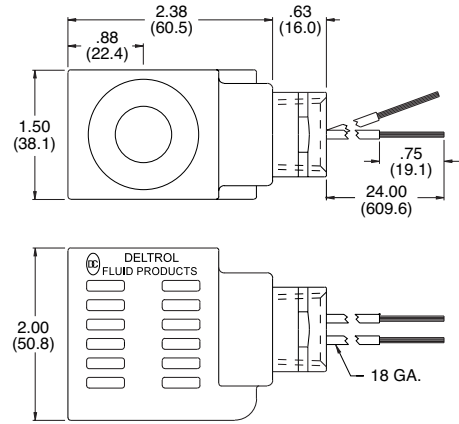


CONDUIT (FEMALE 1/2-14 NPT)

CODE - **C

VOLTS	PART NO.	CODE	LEAD COLOR
10 DC	10164-05	D10C	GREEN
12 DC	10162-80	D1C	RED
24 DC	10162-81	D2C	BLUE
120 AC	10162-86	A5C	BLACK
240 AC	10162-87	A6C	YELLOW

LEAD WIRES: 18/20 GAUGE MEETS SAE J1128 XLPE, TYPE SXL.



COIL

CHECK

MOTION CONTROL

FLOW CONTROL

RELIEF

PRESSURE CONTROL

SEQUENCE

SHUTTLE

DIRECTIONAL VALVES

HAND PUMPS

TECHNICAL DATA