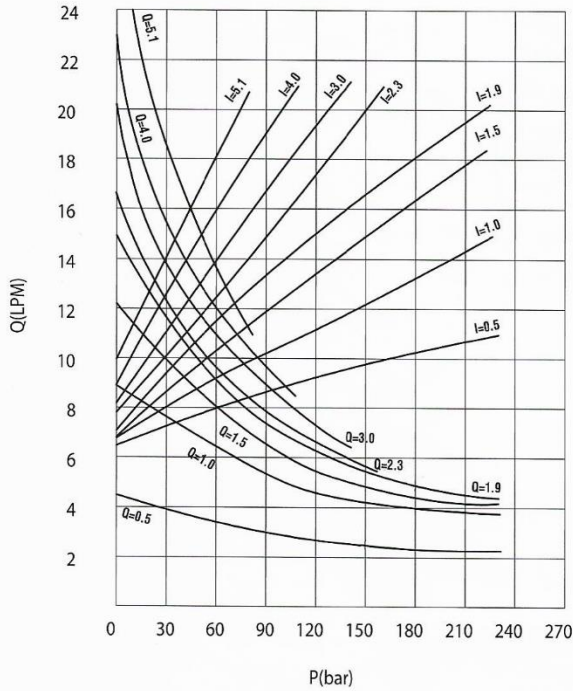


STANDARD DC POWER PACKS

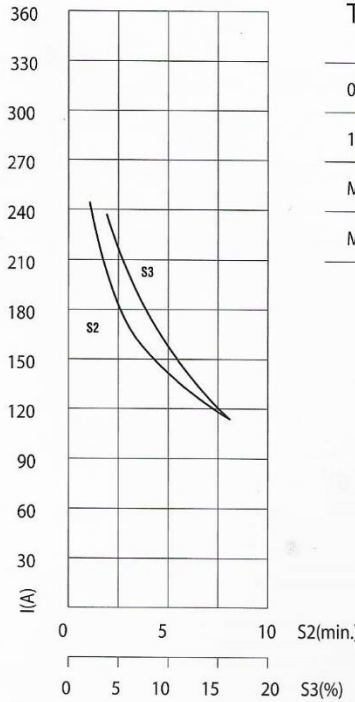


PERFORMANCE CURVES

12 VOLT



NOMINAL PERFORMANCE CURVES
FLOW (Q) L/MIN
CURRENT (I) AMPS

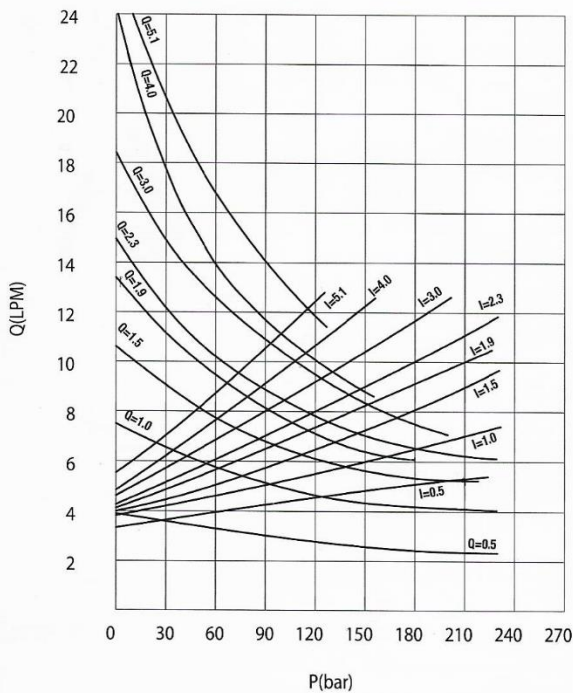


S2 RATING=TIME TO REACH 150C BRUSH TEMPERATURE
S3 RATING=PERCENTAGE OF 10 MINUTE CYCLE

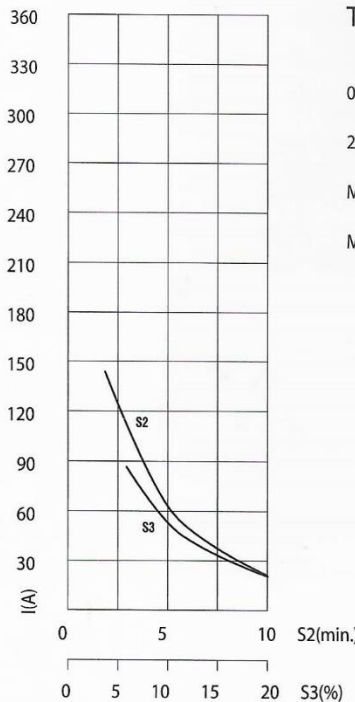
TECHNICAL DATA

0.5-5.1 C.C PUMPS
1.5KW/12V/210A
MAX. POWER:2000W
MAX. CURRENT:310A

24 VOLT



NOMINAL PERFORMANCE CURVES
FLOW (Q) L/MIN
CURRENT (I) AMPS

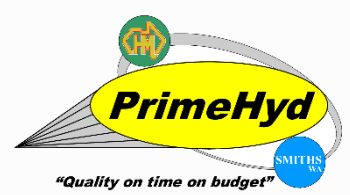


S2 RATING=TIME TO REACH 150C BRUSH TEMPERATURE
S3 RATING=PERCENTAGE OF 10 MINUTE CYCLE

TECHNICAL DATA

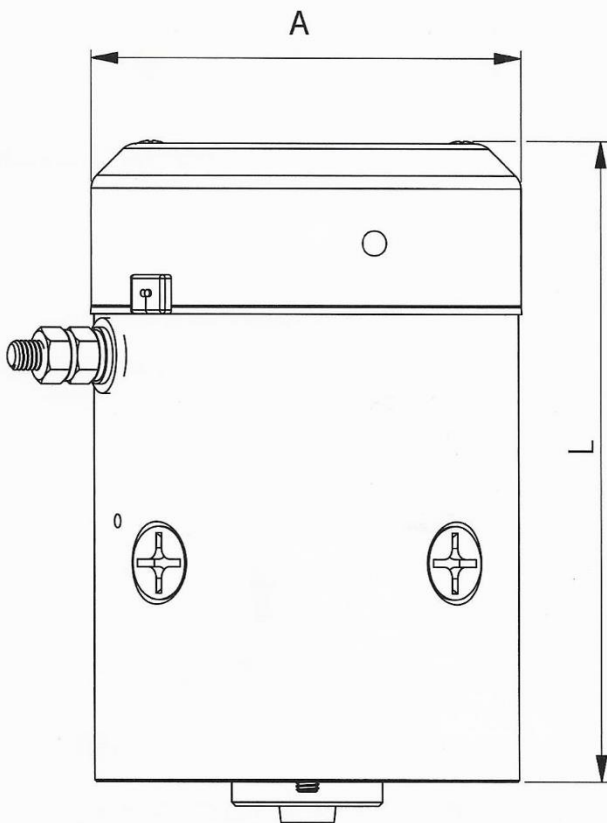
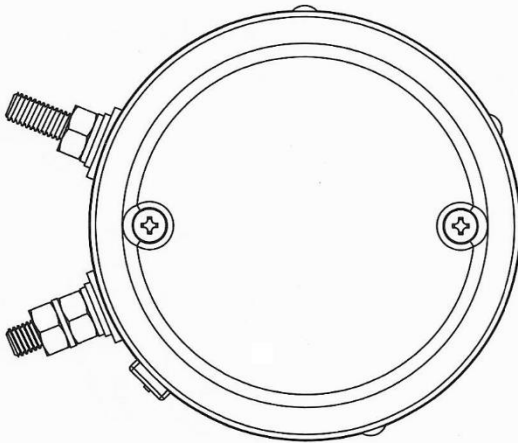
0.5-5.1 C.C PUMPS
2.0KW/24V/110A
MAX. POWER:2500W
MAX. CURRENT:190A

STANDARD DC POWER PACKS

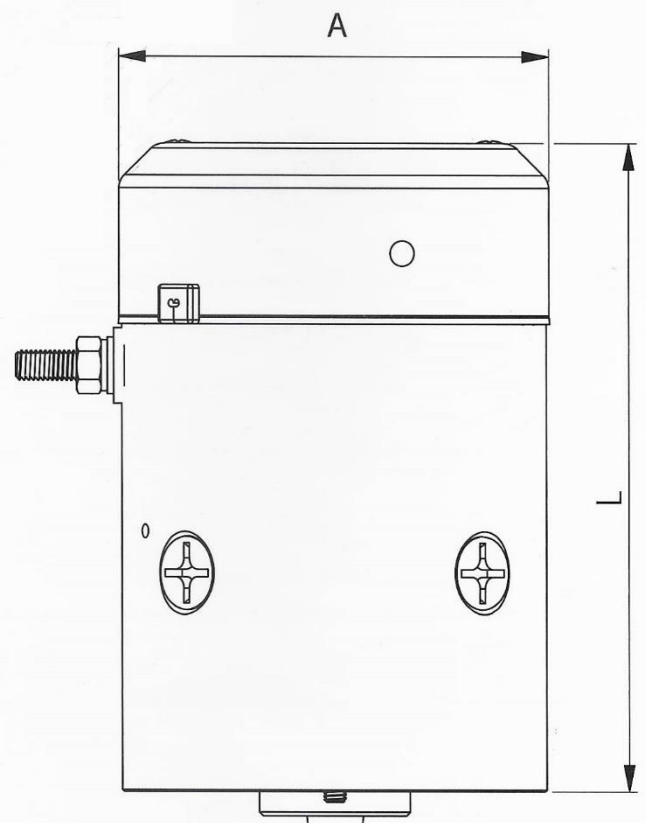
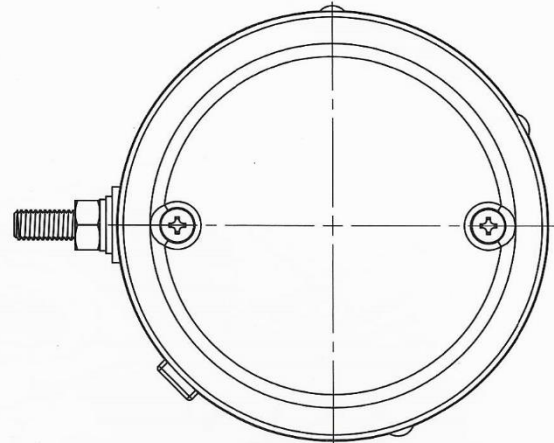


DC MOTOR DIMENSIONS

24 VOLT



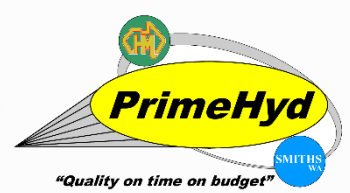
12 VOLT



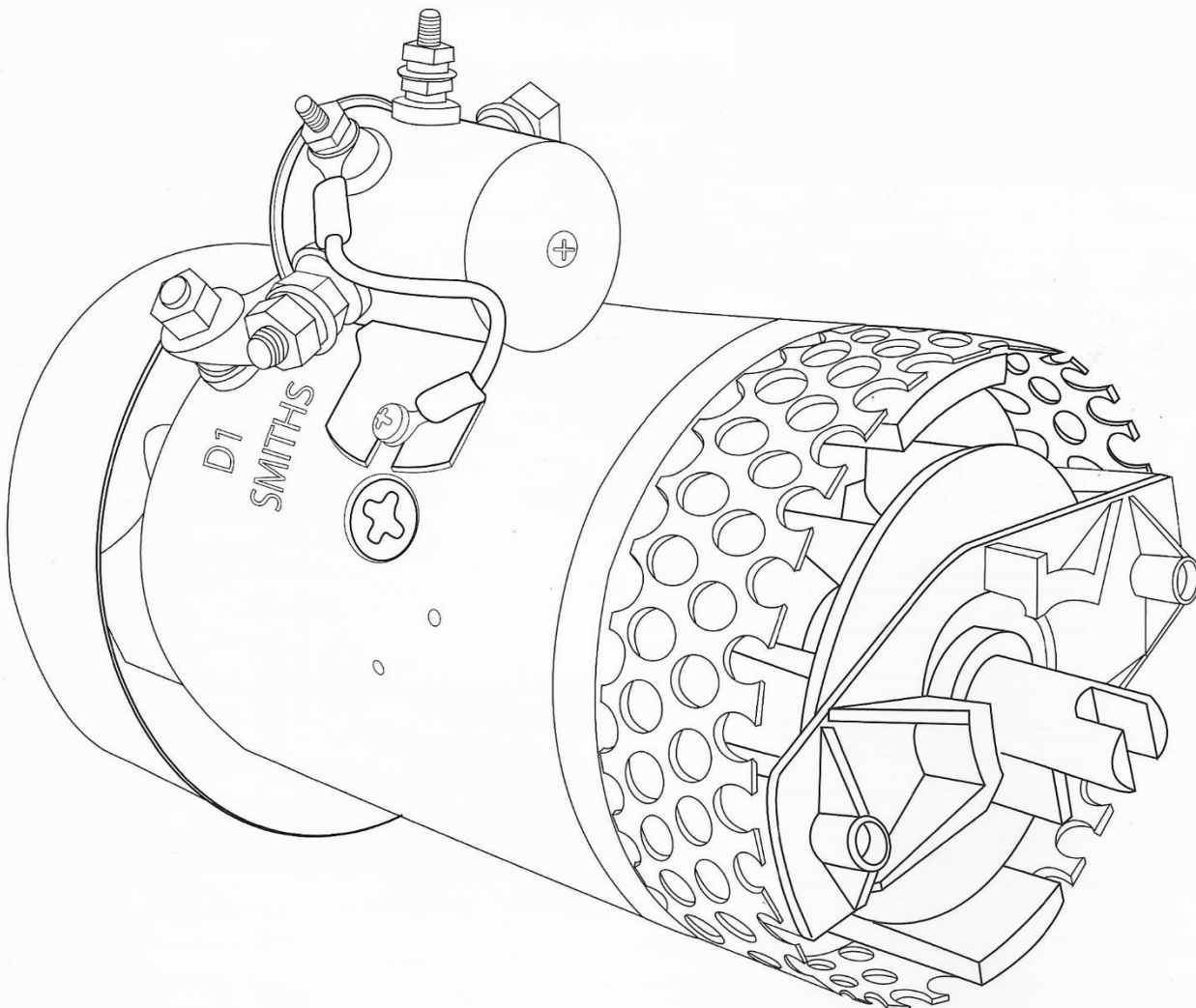
Unit:mm

PMC-DC24	2000W	24V	INSULATE RETURN MOTOR WITH 2 TERMINALS	A114	L170
PMC-DC12	1500W	12V	EARTH RETURN (MOTOR WITH 1 TERMINAL)	A114	L170

STANDARD DC POWER PACKS



DC MOTOR SPECIFICATIONS



TEST RESULTS SMITHS WA 12 VOLT 'S' TYPE MOTORS
Standard Motor Vs Fan Assisted Extended Run Type

Time (Min)	Brush Temperature (°C)	Time (Min)	Brush Temperature (°C)
One	73.0	One	38.5
Two	95.0	Two	37.5
Three	113.0	Three	43.5
Four	126.0	Four	55.5
Five	138.0	Five	75.0
Six	149.0	Six	76.0
Note: Manufacturer's specifications state maximum permissible brush temperature is limited to 150°C. S2 Rating = Time to reach 150°C Brush Temperature.		Seven	65.0
		Eight	58.0
		Nine	64.5
		Ten	63.0
		Eleven	72.5
		Twelve	80.0

Test carried out at ambient temperature of 22°C with continuous running drawing 180 amps.
Hydraulic pump used was a 2.3cc per rev and a pressure relief valve set at 100 bar.

CODE	PMC-DC24	2000W	24V	INSULATE RETURN MOTOR WITH 2 TERMINALS
CODE	PMC-DC12	1500W	12V	EARTH RETURN (MOTOR WITH 1 TERMINAL)