



INSTALLATION PROCEDURE

PURESILK IN-LINE INJECTOR ADAPTOR KIT

Part N° 33506-K

THIS KIT CONTAINS:

PURESILK IN-LINE INJECTOR ADAPTOR
PART N° 33506-IN



VITON O-RING
PART N° 33501-B

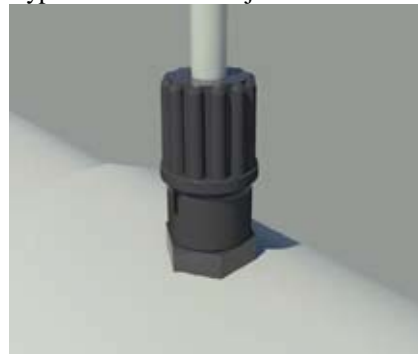


STEP 1: Identify existing injector type.

Type I - Standard Injector



Type II - Duck Bill Injector



Type III - Dual Port Injector



Type I - No special additional requirements, skip to step 3

Type II - Requires removal of old check valve core, replace with o-ring supplied in kit.

Type III - Does not require in-line check valve.

IMPORTANT NOTE:

NOT INTENDED FOR USE ON LIQUID CHLORINE FEED MODELS. LIQUID CHLORINE MODELS SHOULD USE DUAL PORT INJECTOR (SIMILAR TO TYPE III SHOWN ABOVE, EXCEPT WITH SECONDARY PORT UTILIZED FOR CHLORINE).

STEP 2: Remove old check valve core (Duck Bill Valve).

Ensure filtration system is turned off. If injector point is below water level then close all appropriate isolating valves, and relieve any residual pressure in system.

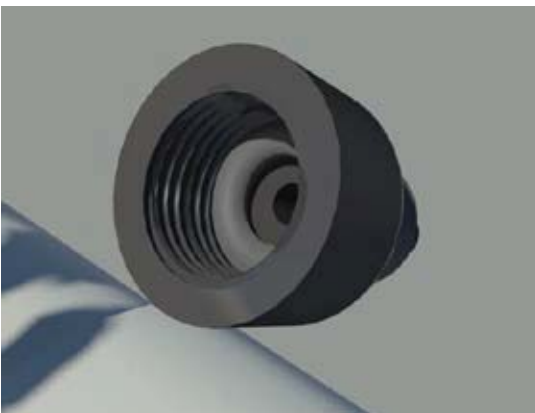
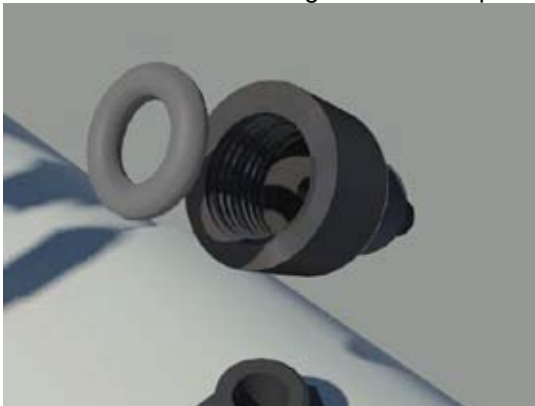
I. Unscrew top nut, and remove injector tubing.



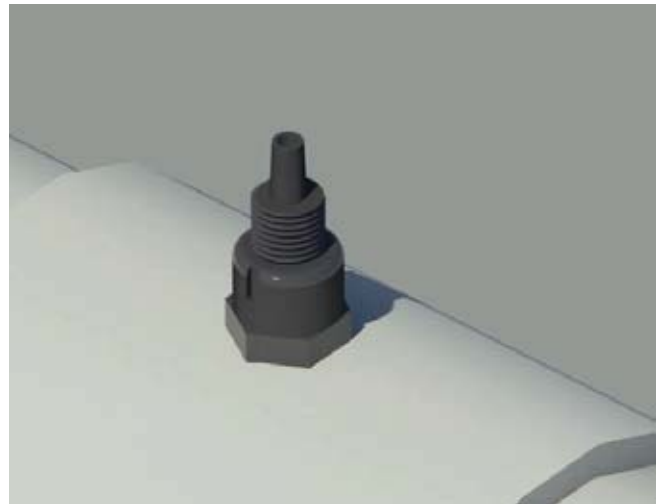
II. Unscrew cap and remove old valve core.



III. Place VITON o-ring into valve cap.



IV. Re-fit Valve cap.



STEP 3: Install new IN-LINE INJECTOR ADAPTOR PART N° 33506-IN

I. The new in-line adaptor kit is pre-assembled and must be used together with ACID INJECTOR VALVE PART N° 33506-ACID close to the injection point.

II. Push the tube from the outlet side of the new in-line valve assembly onto the injection point fitting.

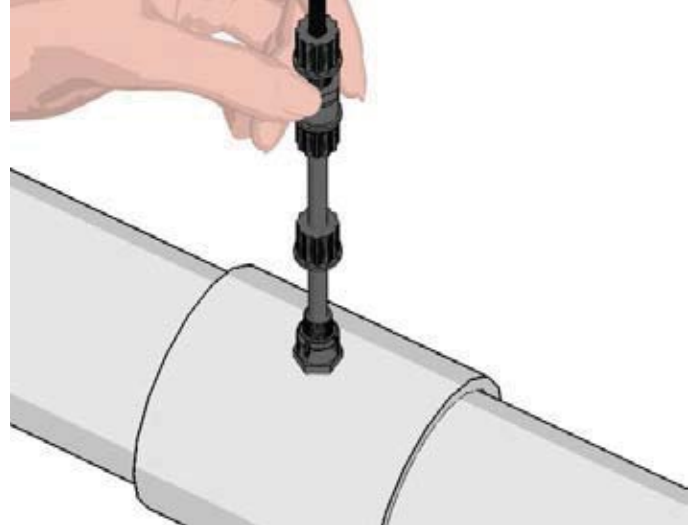
III. Push existing feed tubing onto inlet side of acid injector valve - check to ensure orientation is correct, the red nut end is the inlet, which will be on the peristaltic pump side, and flow indicator arrow should be pointing towards injection point.

IV. Tighten all tube securing nuts to complete installation.

I. In-line adaptor.



II. Push outlet tube onto injection point fitting.



III. Push feed tube onto in-line valve inlet.



IV. Completed Installation.

