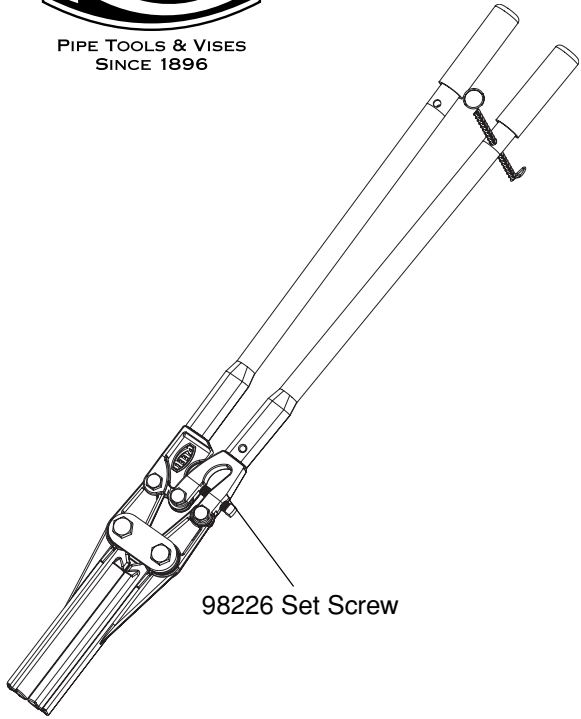




Standing Shut-Off Tool Operating Instructions

Catalog No. SSO1C
Item Code #04281



Warnings:

1. The tool stops or minimizes the flow of water and other non-combustible fluids in 1" and 1/2" PE (polyethylene) pipe. Individuals who need to shut off natural gas lines should use one of Reed's PES1 PE Squeeze-Off Tools.
2. The SSO1C tool may degrade the service life of the pipe at the shut off location. Individuals seeking to maintain pipe life should use one of Reed's PES1 tools.

Using Reed SSO1C Standing Shut-off tools:

1. Position the tool over the pipe and bring the handles together.
2. Run the chain around the handles and clip one end to the ring.
3. Unclip the chain and open handles after work is complete.

Adjusting the tool:

Close gap by tightening 98226 Screw. Open gap by loosening 98226 Screw. If the screw no longer contacts the casting and one needs to open the gap further, use a vise to squeeze the forks closer together.

(See reverse side for detailed parts breakdown.)

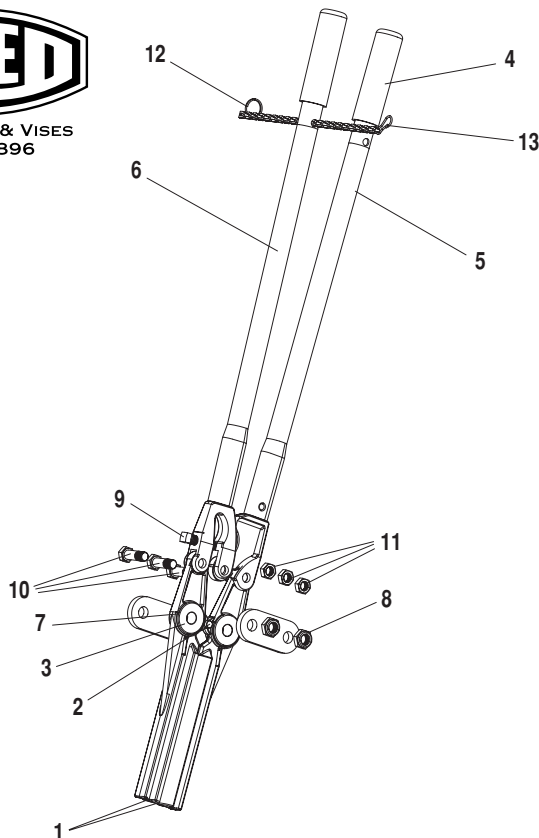
REED MANUFACTURING COMPANY

1425 WEST EIGHTH ST. ERIE, PA 16502 USA

PHONE: 800-666-3691 OR 814-452-3691 FAX: 800-456-1697 OR 814-455-1697

www.reedmfgco.com

54281-206



Standing Shut-Off Tool

Replacement Parts

Catalog No. SSO1C
Item Code #04281

Parts List

Ref. No.	Description	Item Code	Qty.
1	Jaw	94331	2
2	Pivot Pin	34331	1
3	Hinge Plate	94333	2
4	Grip	94334	2
5	Fixed Handle Assembly	94336	1
6	Adjust. Handle Assembly	94337	1
7	Jaw Bolt	94332	2
8	Jaw Nut / Hex Locknut	30111	2
9	Adjustable Set Screw	98226	1
10	Handle Screw	98228	3
11	Handle Nut	98229	3
12	Chain Assembly	99055	1
13	Snap	40205	1

Reed Manufacturing Company
1425 West 8th St.
Erie, PA 16502 USA



Phone: 800-666-3691 or 814-452-3691
Fax: 800-456-1697 or 814-455-1697
www.reedmfgco.com

54281-206