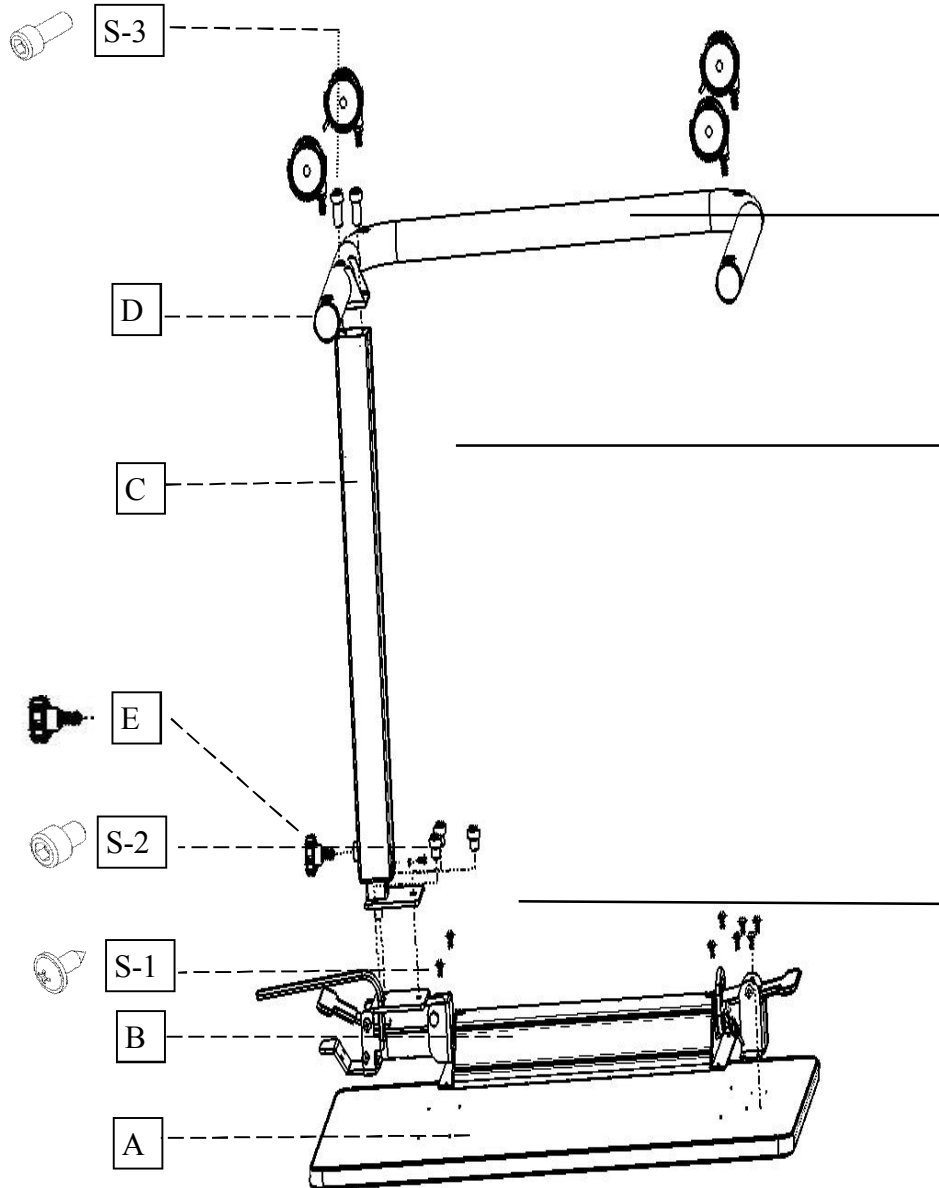


SE-025L OVERBED TABLE

Installation Guide & Users' Manual



STEP III : To assemble Base

1) To connect **D** and **C** by **S-3**

STEP II : To assemble Lift-Mast

1) To connect **C** and **B** by **S-2**

STEP I : To assemble Top-Table

1) To connect **A** and **B** by **S-1**

No.	ITEM	Q'TY	No.	ITEM	Q'TY
A	Top-Board	1	S-1	Screw (M5 x L12mm)	6
B	Board Holder	1	S-2	Screw (M10 x L12mm)	3
C	LIFT-Mast	1	S-3	Screw (M10 x L20mm)	2
D	Base	1			
E	Turning Knob For Safety Fixed purpose	1		Hexagon Wrench (8mm)	1



1

A. Table Top Height Adjustment:

1. Table Top Lift up:

-Grabbing two ends of the Table Top, then pull up the Table Top.

2. Table Top Lower down:

-Lifting the Green Handle, then push down the Table Top.

2

B. Table Top Tilting Function:

1. Lifting the Black Handle, and release it after reaching the tilt angle.