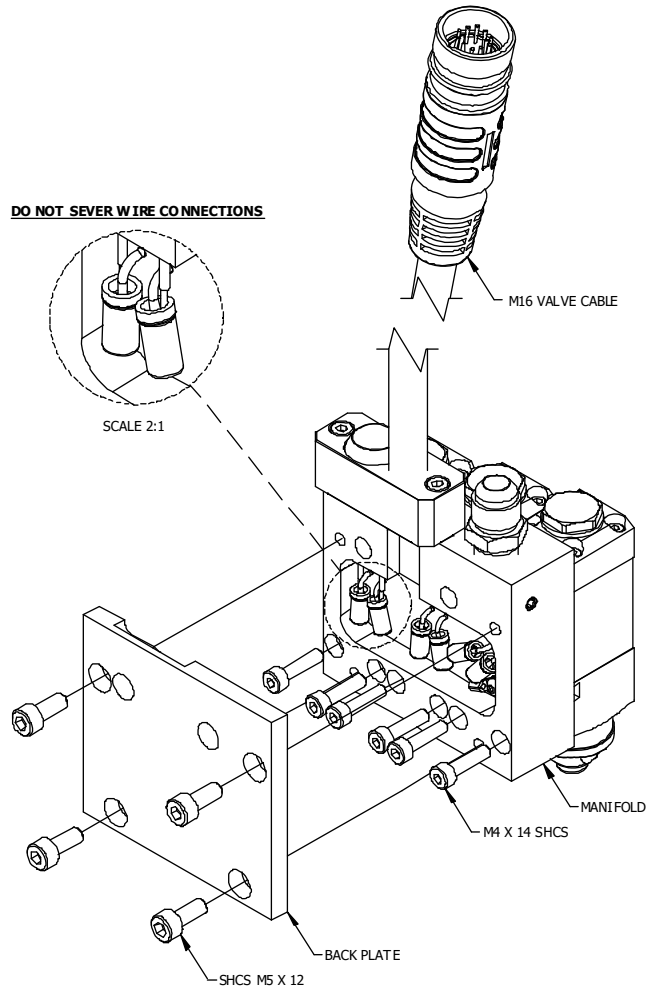


Replacement Parts

		VITON	EP
1	BACKSTOP	707XX609	707XX609
2	O-RING	745XX340	746XX089
3	O-RING	745XX026	746XX204
4	VALVE SUB ASSEMBLY	707XX626	707XX626
5	SHCS M4 X 14 SS	884XX100	884XX100
6	SPRING	783XX042	783XX042
7	PLUNGER ASSEMBLY	707XX529	707XX529
8	O-RING (INCLUDED W/ ITEM 11)	745XX007	746XX170
9	NOZZLE ASSEMBLY (INCLUDES ITEM 10)	707XX524	712XX024
10	O-RING (INCLUDED W/ ITEM 9)	746XX180	746XX183
11	NOZZLE BODY ASSEMBLY (INCLUDES ITEM 8)	707XX518	707XX614



IMPORTANT

TO REMOVE THE VALVE ASSEMBLY FROM THE MANIFOLD TO REPLACE THE O-RING REMOVE THE BACK PLATE VIA THE FOUR (4) M5 X 12 SHCS.
 NEXT REMOVE THE VALVE ASSEMBLY VIA THE TWO (2) M4 X 14 SHCS.
 GENTLY REMOVE THE VALVE FROM THE MANIFOLD MAKING SURE NOT TO DAMAGE THE COIL WIRES FROM THE VALVE THAT ARE CONNECTED TO THE M16 VALVE CABLE

Design specifications subject to change without notice. © Valco Cincinnati Inc. All Rights Reserved. DS104 524E2T Manifold Mount Valves 1/2016

Valco Cincinnati Incorporated
 411 Circle Freeway Drive
 Cincinnati, Ohio 45246, USA
 TEL: (1) 513-874-6550
 FAX: (1) 513-874-3612

Melton S.L.U.
 Pol. Industrial Agustinos
 calle G, n. 34
 31160 Orcoyen, Navarra, Spain
 TEL: (34) 948-321-580
 FAX: (34) 948-326-584

Valco Cincinnati, Ltd.
 Unit 7-8
 Hortonwood 32
 Telford TF1 7YN England
 TEL: (44) 1952-677911
 FAX: (44) 1952-677945

Valco Cincinnati GmbH
 Bonnerstrasse 349
 40589 Dusseldorf-Benrath,
 Germany
 Tel: +49 211 984 798-0
 Fax: +49 211 984 798-20

Valco Melton France
 Technoparc des Hautes Faventines
 32 Rue Jean Bertin
 26000 Valence
 Tel: +33 (0)4 75 78 13 73
 Fax: +33 (0)4 75 55 74 20