

Counter Balance Valve for Standard Cylinders

Banjo Mount—Directly on the Cylinder

Ordering Code

*	OCV	B	S	-	U	*
	S = Single D = Double	Banjo Mount	S = Steel A = Aluminium		U = UNO Port B = Bspg Port	09 = 9/16" 12 = 3/4" 06 = 3/8" G

Included Parts:-

Counter balance valves - CBPA-08-N-S

Banjo bolt (set)

Example: SOCVBS-U09

Specifications:-

Material - Steel	Alloy - 6061
Surface Treatment - Zinc Plated	Alloy - Nil
Max Working Pressure - 350 Bar	Alloy - 210 Bar
Port Sizes - A & B = 3/4" UNO	
Max Flow - 38 L/min	

Optional:-

Command Controls Valve is Standard

Can be supplied manifold with Sun Valves on Request.

Also optional Ports and Sizes are available on Request.

Technical details:-

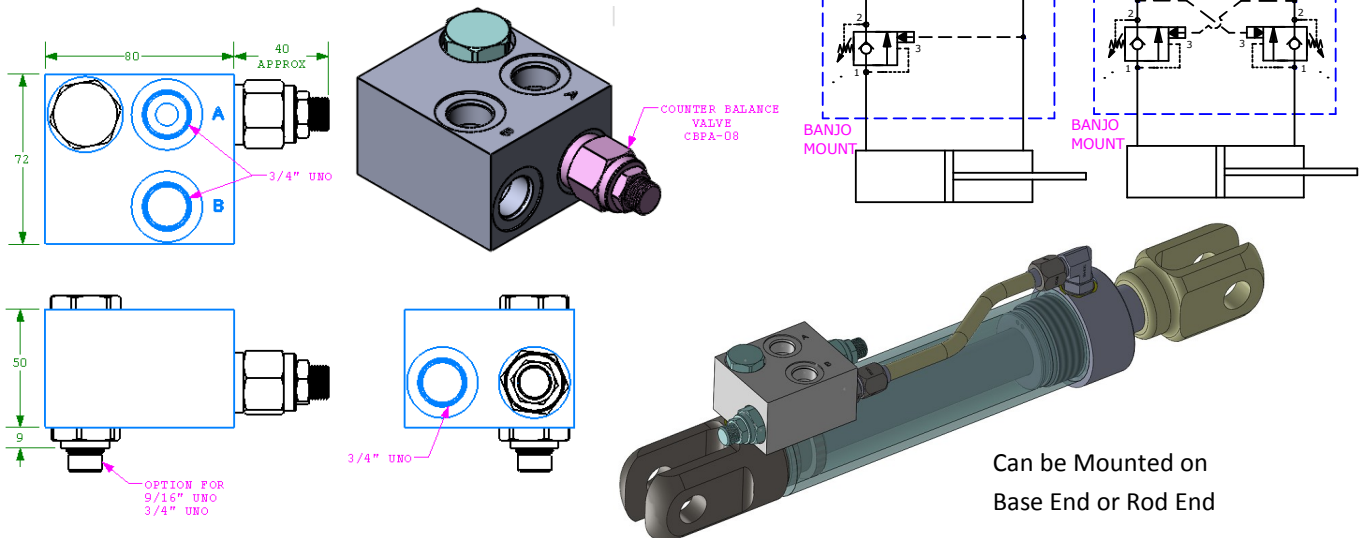
This Valve controls moving load and preventing it from running ahead of the pump, Locking the load in any position.

It also provides static overload Protection.

All external carbon steel parts are plated for longer life against the elements.

All Cartridges valves are 100% functionally tested.

Valve is available with screw, tamperproof, capped and handknob adjustments.



Can be Mounted on
Base End or Rod End