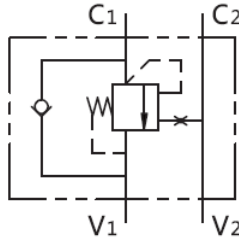


SINGLE OVERCENTRE VALVE



SCHEMATIC



DESCRIPTION

The SOCV is a single overcentre valve , for use in high pressure hydraulic circuits.

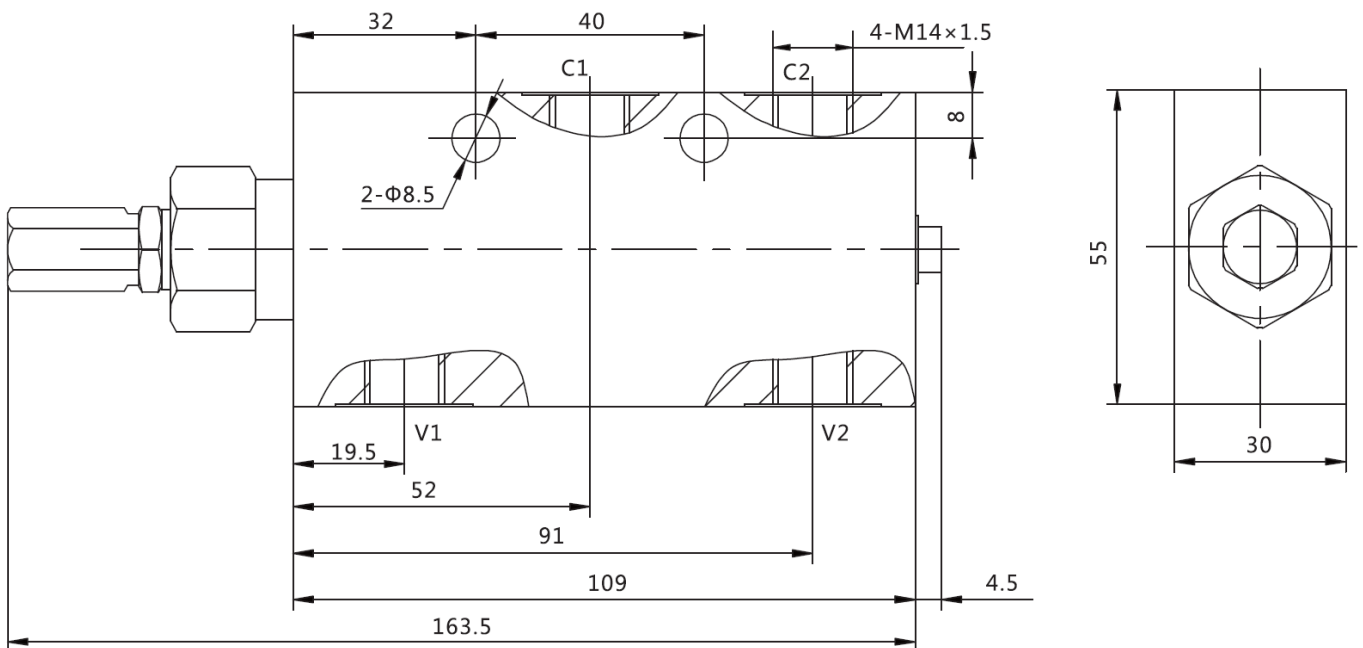
OPERATION

The valve provides smooth control over hydraulic cylinders and motors, preventing them from 'running away' due to load induced forces.

SPECIFICATIONS

Model	DPOCV-38	DPOCV-12
Pilot Ratio	4.2:1	4.2:1
Rated Flow	40 L/min	60 L/min
Rated Pressure	35 MPa	35 MPa
V1-V2	3/8"	1/2"

DIMENSIONS



*All measurements in mm.