

PLA750 SERIES LINEAR ACTUATOR



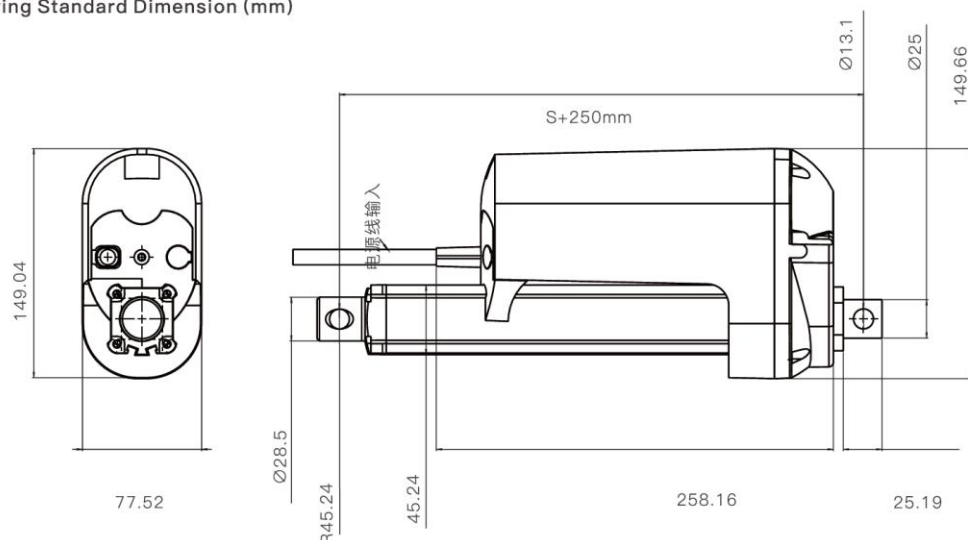
General Features

Voltage	12V DC, 24V DC, 36V DC, 48V DC
Maximum Load	12000N
The fastest speed in full load	4.5mm/s(12000N)
Minimum installation size	S+250mm(S < 300mm)
	S+260mm(S > 300mm)
Colour	Black
Noise	≤60db
Safety and regulation certification	ISO9001-2008, CE, ROHS
Working temperature range	+45°C----- -20°C
Other options	Hall sensor

Load and speed (24V DC)

Code	Rated load		Self locking force N (under the condition of thrust)	Rated loadCurrent (A) (12VDC)	Rated loadCurrent (A) (24VDC)	Output velocity no-load (24VDC) mm/s	Full load of rated load (24VDC) mm/s
	Thrust N	Pull N					
A	12000	12000	15000	15.8	10.5	6.5	4.5
B	10000	10000	12000	15.8	10.5	8.5	6
C	7500	7500	9000	15.8	10.5	13	9
D	5000	5000	6000	15.8	10.5	17	9.5
E	4500	4500	5000	15.8	10.5	25	14
F	3200	3200	4000	15.8	10.5	38	24

Drawing Standard Dimension (mm)



Installation size=stroke(s)+250mm