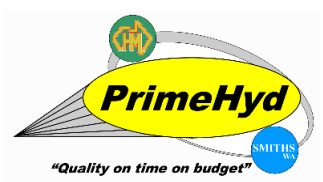


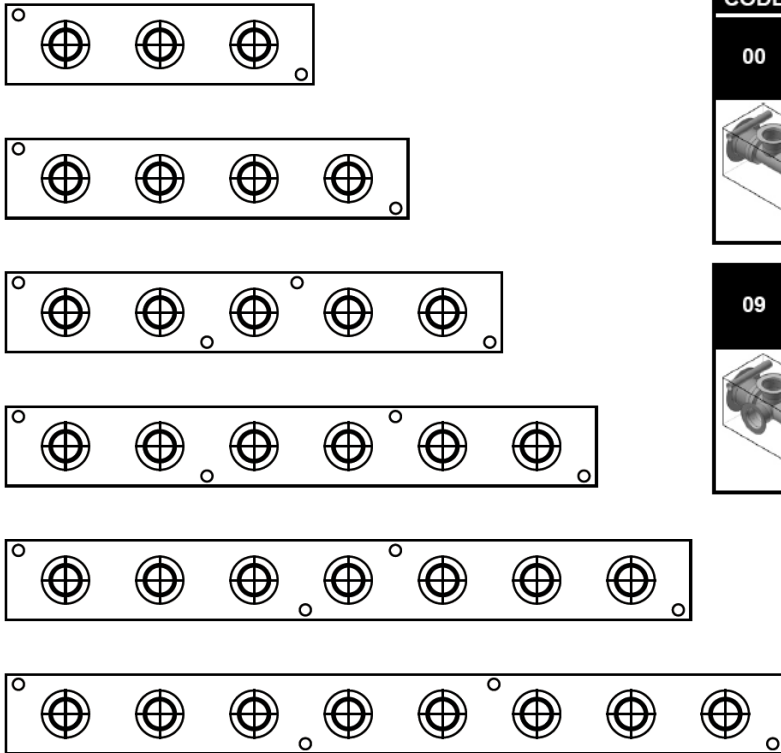
JUNCTION MANIFOLDS



Description

Junction manifolds are used to provide distribution or connection points in a fluid power piping system. They provide a common through port for multiple inlet or outlet ports at each station to be neatly connected.

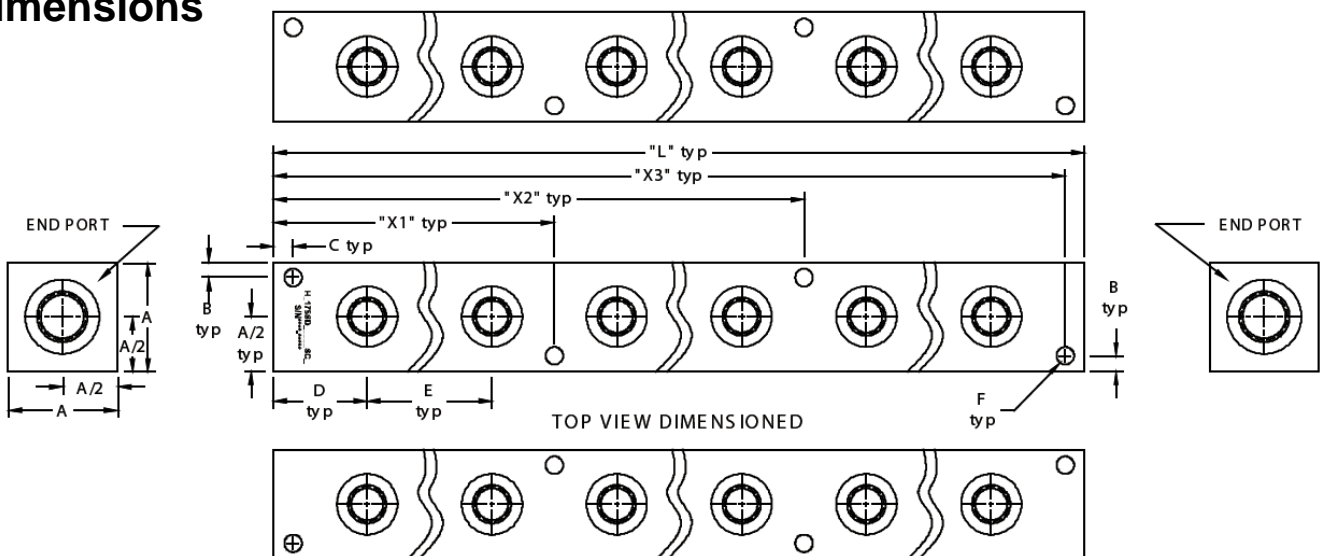
Junction Layout



Port Orientation

CODE	STYLE
00	One Side Only
09	Top & One Side
18	Two Opposite Sides
27	Top & Two Opposite Sides

Dimensions



No. of Stations	3	4	5	6	7	8
Dim. "L"	4.50	5.75	7.00	8.25	9.50	10.75
X1	*	*	2.88	2.88	2.88	4.13
X2	*	*	4.13	5.38	6.63	6.63
X3	3.88	5.13	6.38	7.63	8.88	10.13