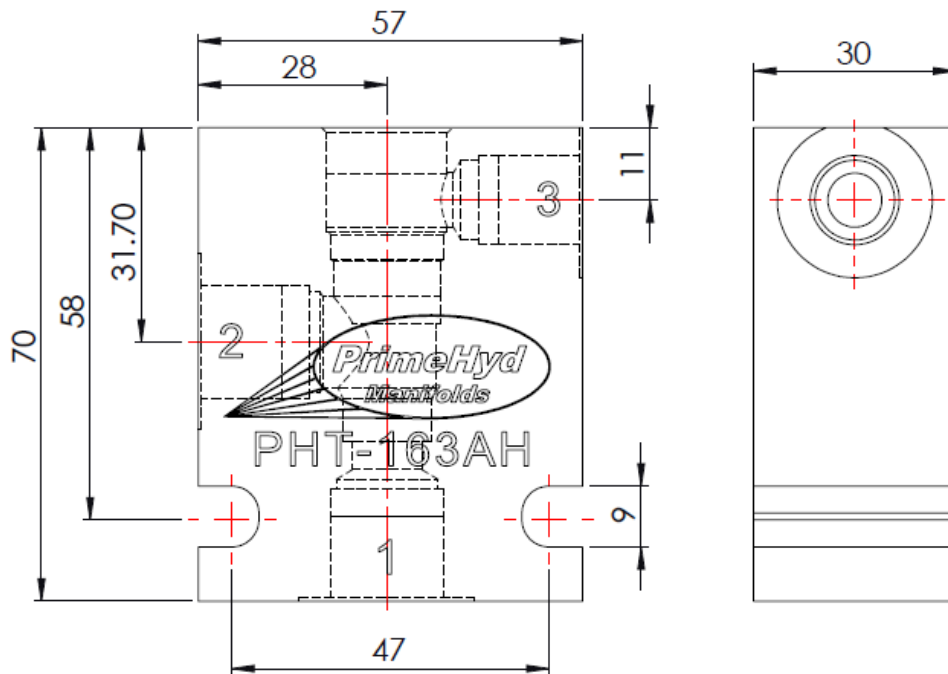




## SUN CAVITY HOUSING

PHT-163A#<sup>(1)</sup>



CAVITY	PORT 1	PORT 2	PORT 3
T-163A	3/8" BSPP	3/8" BSPP	1/4" BSPP

ALL DIMENSIONS ARE IN mm U.O.S.

(1) SUFFIX:

H = STEEL (65-45-12) – 350 Bar Max.

M = ALUMINIUM (6061-T6) – 210 Bar Max.

<http://www.primehyd.com.au>

[sales@primehyd.com.au](mailto:sales@primehyd.com.au)

Phone: +61 8 9248 4144

