

2-WAY BALL VALVES

SAE FLANGE TYPE



Item Code

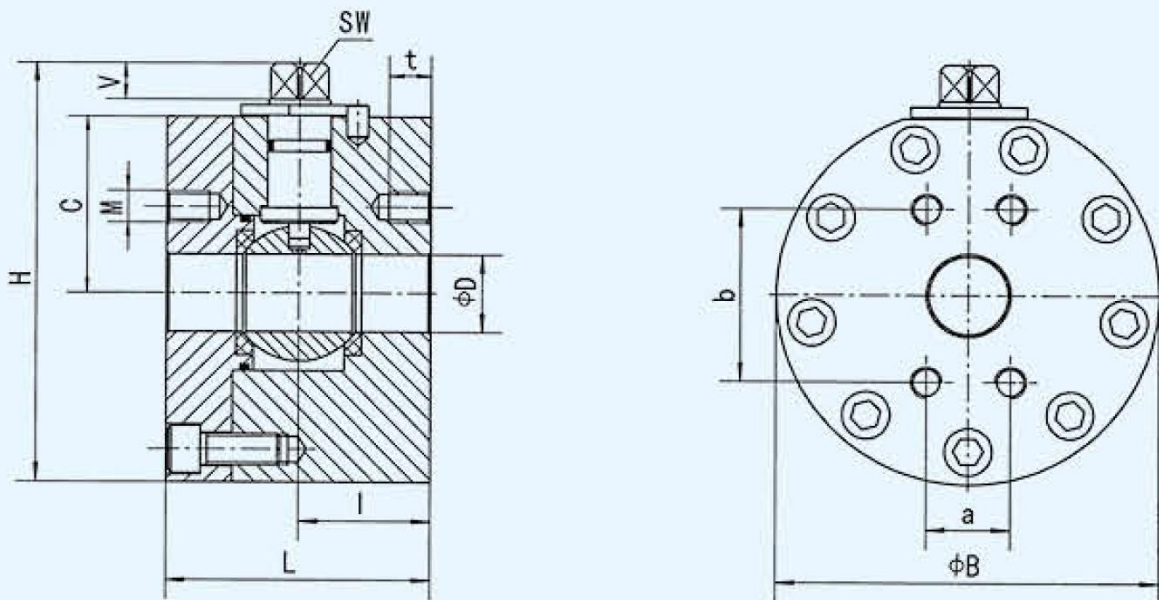
KHSAE	420	-	32
[1]	[2]		[3]

[1] Model: KHSAE–Fixed flange ball valve

[2] Pressure setting: 420bar

[3] Nominal diameter: 15, 20...mm

Dimensions



420bar (Note: 420bar, SAE flange pressure)

Model	DN	D	L	I	B	C	H	V	SW	a	b	M	t
KHSAE420-15	15	15	75	35	78	31	83	11	12	18.2	40.5	M8	16
KHSAE420-20	20	20	80	35	98	37	100	12	14	23.8	50.8	M10	18
KHSAE420-25	25	25	88	38	117	39.5	113	12	14	27.8	57.2	M12	20
KHSAE420-32	32	30	100	50	145	68	160	14	17	31.8	66.7	M14	22
KHSAE420-40	40	38	110	55	165	78	180	14	17	36.5	79.4	M16	24
KHSAE420-50	50	48	116	58	197	94	213	14	17	44.5	96.8	M20	28