

3-WAY BALL VALVES MANIFOLD MOUNT TYPE



Item Code

KH3K - DN13 - SAE420

[1] [2] [3]

[1] Model: KH3K – KH3K series SAE flange 3 way ball valve

[2] Nominal diameter: DN13~50mm

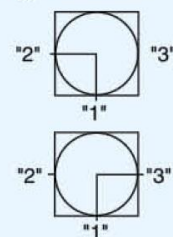
[3] Connection standard

Porting Pattern

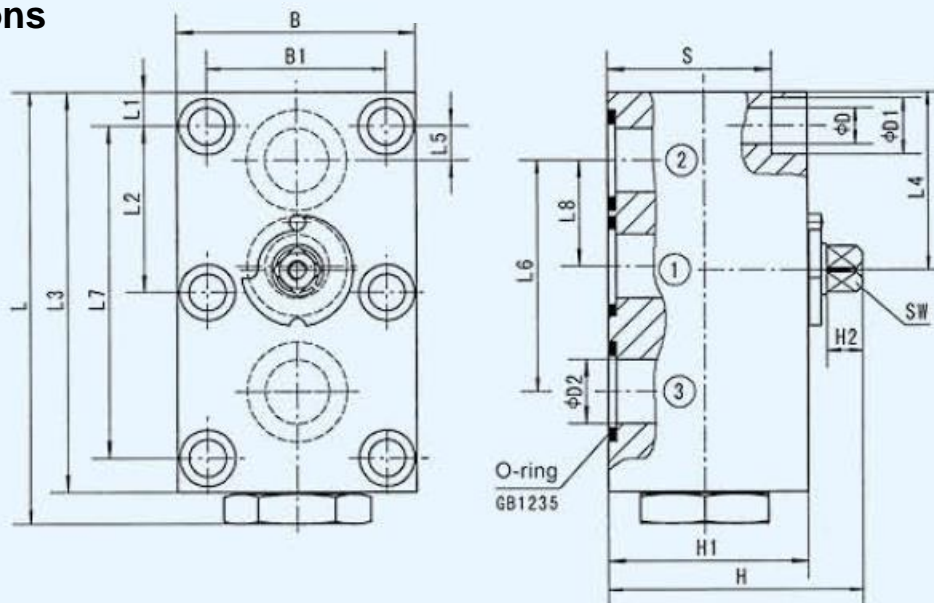
L type 90° reversing

Hydraulic oil just can flow into valve through port "1", and the valve only can be sealed under the two situations:

- (1) Pressure at the closed port is zero;
- (2) Pressure at the closed port is lower than at the two open ports.



Dimensions



Model	DN	PN	L	L1	L2	L3	L4	L5	L6	L7	L8
KHP3K-06	6	315	64	8.5	-	59	25	0	35	35	17.5
KHP3K-10	10	315	80	8	27.5	71	29.5	2.5	44	55	19
KHP3K-16	16	315	110	8.5	41.5	100	43.5	8.5	58	83	26.5
KHP3K-20	20	315	127	10	48.5	117	51	10	69	97	32
KHP3K-25	25	315	145	10	57.5	135	62	14	81	115	38
KHP3K-32	32	315	177	12	68	165	75	17	96	136	46
KHP3K-40	40	315	192	28.5	56	180	85.5	0	112	112	56
KHP3K-50	50	315	245	38	68	220	106	0	136	136	68

Model	B	B1	H	H1	H2	D	D1	D2	S	SW	O-ring/GB1235
KHP3K-06	40	27	39	30	6	6.6	11	6	23	9	12×1.9
KHP3K-10	56	40	54.5	42	8	9	13.5	9.5	33	9	16×2.4
KHP3K-16	62	45	67.5	50	11	9	13.5	16	41	12	25×2.4
KHP3K-20	70	51	80	62	12	10.5	16.5	20	51	14	30×3.1
KHP3K-25	80	60	85	67	12	10.5	16.5	25	56	14	35×3.1
KHP3K-32	100	78	110	90	14	13	19	32	77	17	40×3.1
KHP3K-40	130	95	120	100	14	17.5	26	38	82	17	50×3.1
KHP3K-50	149	112	130	110	14	22	33	48	88	17	60×3.1