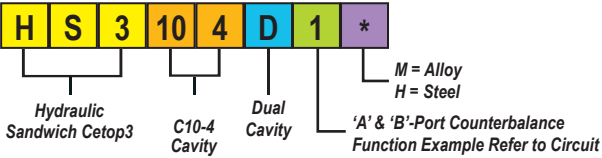
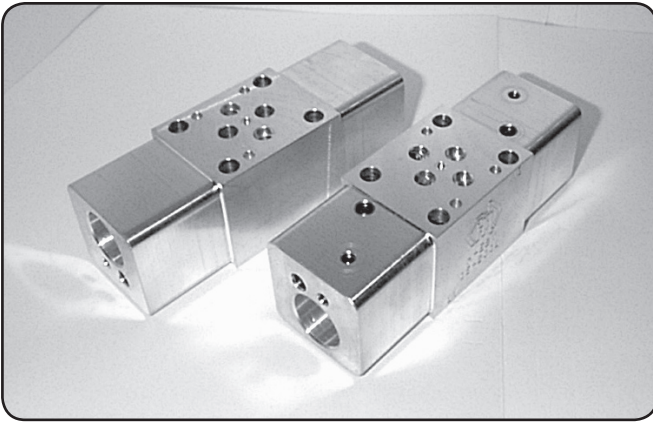


A & B-Ports Vented Counterbalance

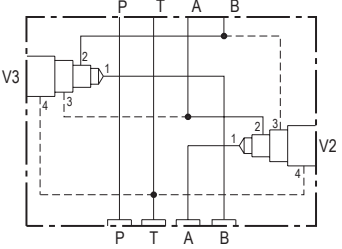
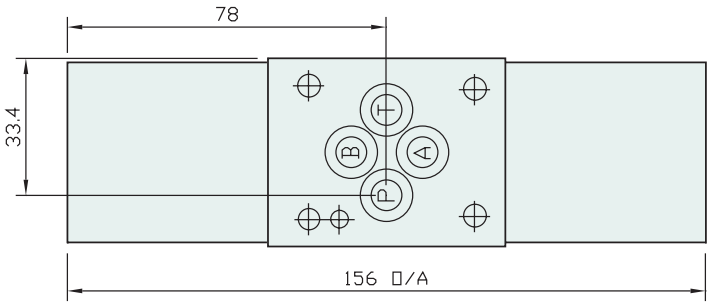
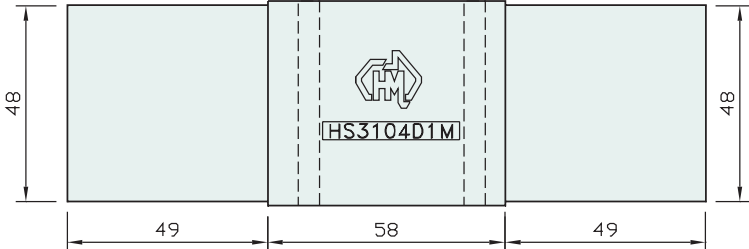
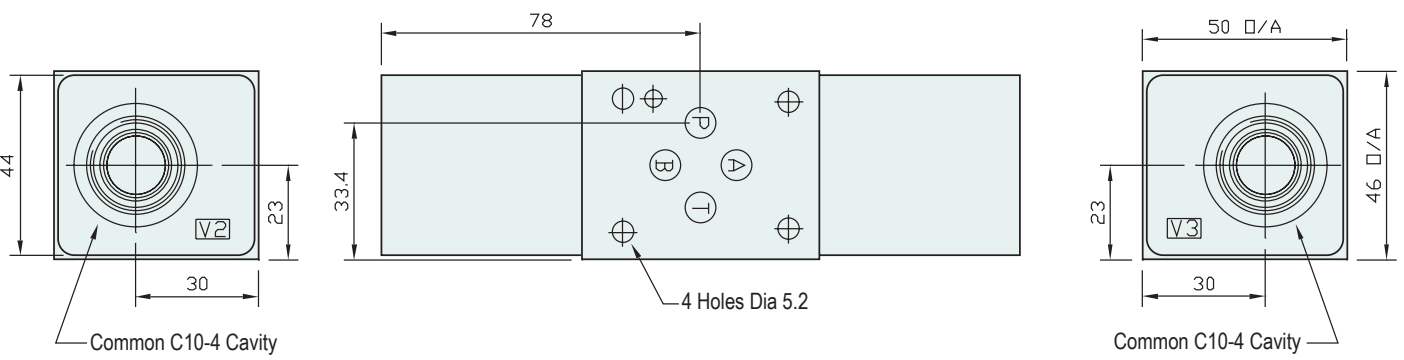


Specifications		
Material :	Alloy 6061-T6	Steel - S1214
Max. Working Pressure :	Alloy - 210 Bar	Steel - 350 Bar
Surface Treatment :	Alloy - Nil	Steel - Zinc Gold Passivation

Included Components	
O-Rings :	4 each N9-012



Technical Details



Manifold Circuit
1 - Dual Vented Counterbalance



Industry Std. C10-4 Cavity Form Suitable for the Following Valve Manufacturers :

Part Number	Nominal Mass Kg
HS3104D1H	2.5
HS3104D1M	0.7

Modular , Parker , Hydraforce , Compact & Sterling

Please Ensure Valve Selection is Suitable for your Application
For More Information Contact H.M.A. Sales