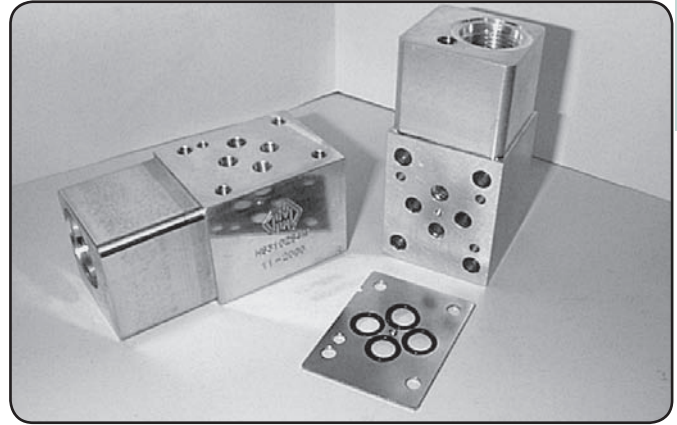
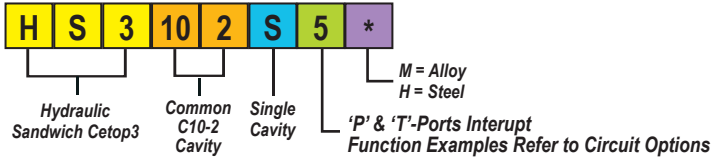


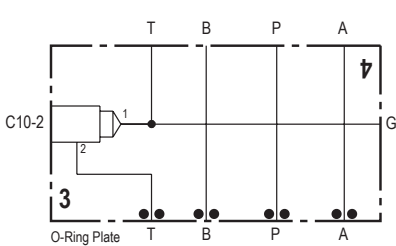
### P or T-Ports Interrupt



Specifications		
Material :	Alloy 6061-T6	Steel - S1214
Max. Working Pressure :	Alloy - 210 Bar	Steel - 350 Bar
Surface Treatment :	Alloy - Nil	Steel - Zinc Gold Passivation

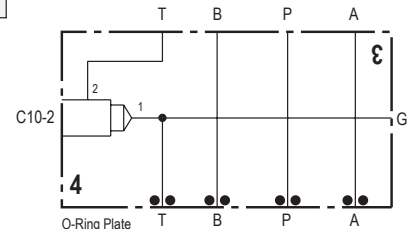
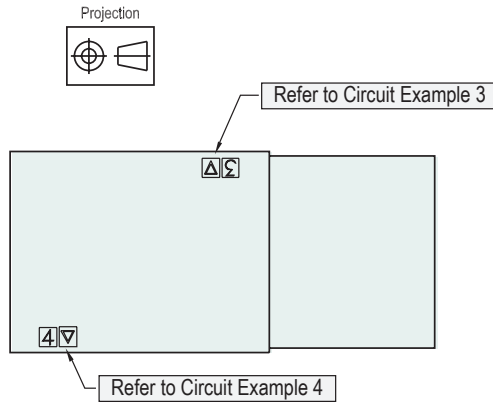
Included Components	
O-Ring Plate :	1 each HSC3OP1H
O-Rings :	4 each N9-012
Locating Pin :	1 each Dia. 4 mm x 10 mm

### Technical Details



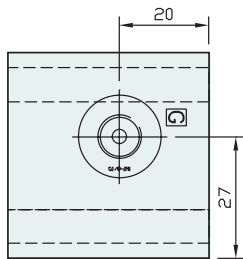
**Circuit Option , Example 3**

- 1 - Back Pressure 'T'-Port
- 2 - Off / On 'T'-Port
- 3 - On / Off 'T'-Port
- 4 - P.C. Flow Regulator
- 5 - Needle Valve

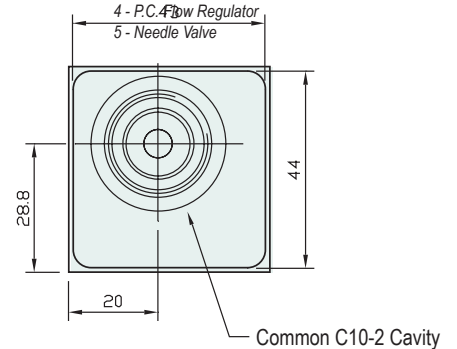
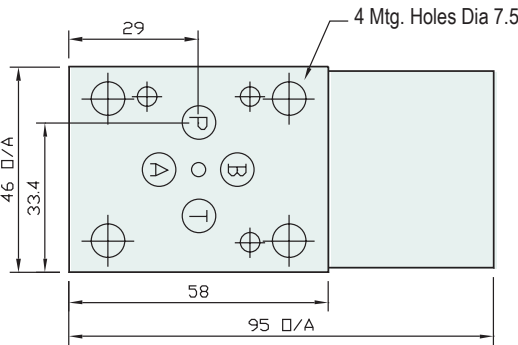


**Circuit Option , Example 4**

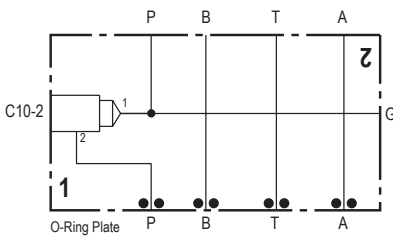
- 1 - Load Check 'T'-Port
- 2 - Off / On 'T'-Port
- 3 - On / Off 'T'-Port
- 4 - P.C. Flow Regulator
- 5 - Needle Valve



Gauge Port 1/8" BSPP

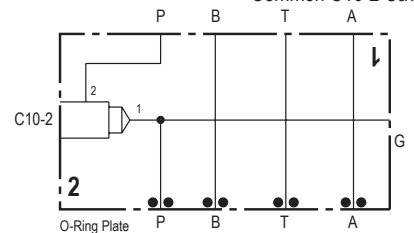
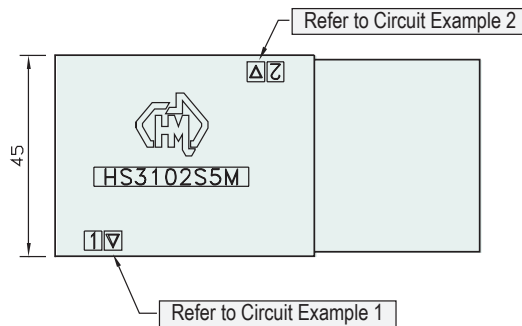


Common C10-2 Cavity



**Circuit Option , Example 1**

- 1 - Back Pressure 'P'-Port
- 2 - Off / On 'P'-Port
- 3 - On / Off 'P'-Port
- 4 - P.C. Flow Regulator
- 5 - Needle Valve



**Circuit Option , Example 2**

- 1 - Load Check 'P'-Port
- 2 - Off / On 'P'-Port
- 3 - On / Off 'P'-Port
- 4 - P.C. Flow Regulator
- 5 - Needle Valve

Part Number	Nominal Mass Kg
HS3102S5H	1.5
HS3102S5M	0.5

**HSC3OP1H - O-Ring Plates**  
Also Available Separately

Industry Std. C10-2 Cavity Form Suitable for the Following Valve Manufacturers :  
**Modular , Delta , Parker , Hydraforce , Compact & Sterling**

Please Ensure Valve Selection is Suitable for your Application  
For More Information Contact H.M.A. Sales

**SOLD SEPARATELY IF REQUIRED**  
COMMON RELIEF VALVE - RP100-ABN (Suits Alloy) - RP100-ACN (Suits Steel)