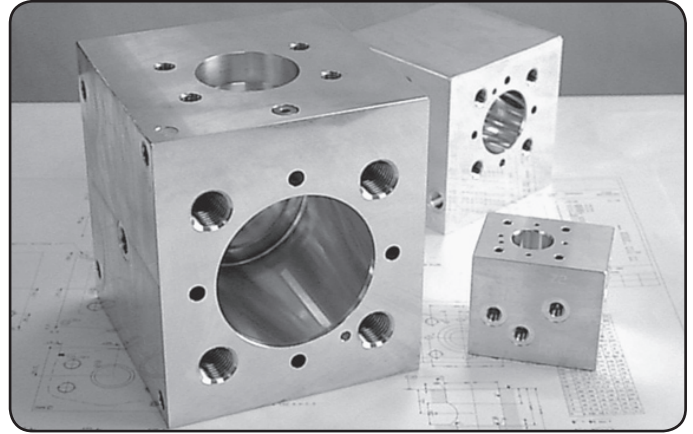
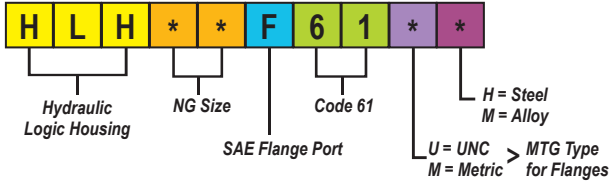




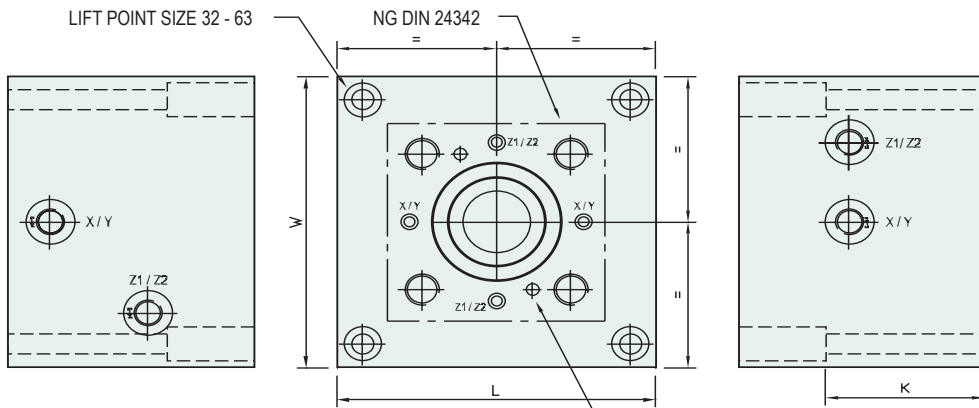
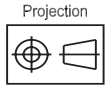
LOGICS



Specifications		
Material :	Alloy - 6061 T6	Steel - S1214
Max. Working Pressure :	Alloy - 210 Bar	Steel - 350 Bar
Surface Treatment :	Alloy - Nil	Steel - Zinc Gold Passivation

Included Components	
Orifice Plugs:	NG 16 - M4 x 0.4mm
	NG 25, 32, 40 - M6 x .0.4mm
	NG 50, 63 - M8 x 0.4mm      Option Plugs: 2 each 1/16" NPT

### Technical Details



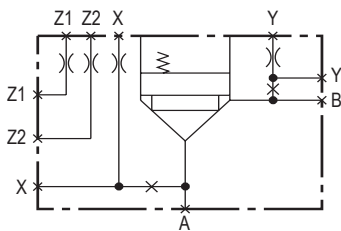
ROTATION OF VALVE ENABLES USE OF OPTIONAL CIRCUITS AS SHOWN

DOWEL LOCATIONS PERMIT VALVE ROTATION

Part Number	A & B Ports	X & Y Ports	Z1 & Z2 Ports
HLH16F61*	1" SAE	1/4"BSPP	1/4"BSPP
HLH25F61*	1-1/4" SAE	1/4"BSPP	1/4"BSPP
HLH32F61*	1-1/2" SAE	1/4"BSPP	1/4"BSPP
HLH40F61*	2" SAE	3/8"BSPP	3/8"BSPP
HLH50F61*	2-1/2" SAE	3/8"BSPP	3/8"BSPP
HLH63F61*	3" SAE	3/8"BSPP	3/8"BSPP

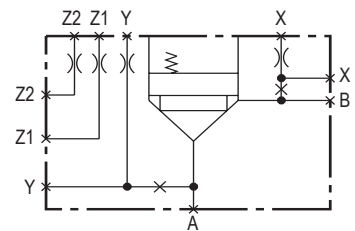
L Dim	C/C Dim	W Dim	H Dim	K Dim	Flange Mtg UNC	Flange Mtg Metric	D Mtg
105	85	105	93	75	3/8"	M10	M12 / 10.3 Thru
125	105	125	96	75	7/16"	M10	M12 / 10.3 Thru
150	126	150	120	75	1/2"	M12	M12 / 10.3 Thru
196	164	196	136	83	1/2"	M12	M16 / 12.7 Thru
196	164	196	156	102	1/2"	M12	M16 / 12.7 Thru
250	218	250	195	142	5/8"	M16	M16 / 12.7 Thru

#### CIRCUIT OPTION 1



⌘ ORIFICE PLUG  
 × OPTION PLUG

#### CIRCUIT OPTION 2



⌘ ORIFICE PLUG  
 × OPTION PLUG

### Material Selection

Alloy

Part Number	Nominal Mass
HLH16F61M	1.5
HLH25F61M	3.5
HLH32F61M	7.3
HLH40F61M	9.5
HLH50F61M	10.5
HLH63F61M	20.0

Steel

Part Number	Nominal Mass
HLH16F61H	7.0
HLH25F61H	12.0
HLH32F61H	20.0
HLH40F61H	40.0
HLH50F61H	52.0
HLH63F61H	92.0

NG50 & NG63 LOGIC HOUSINGS MADE TO ORDER