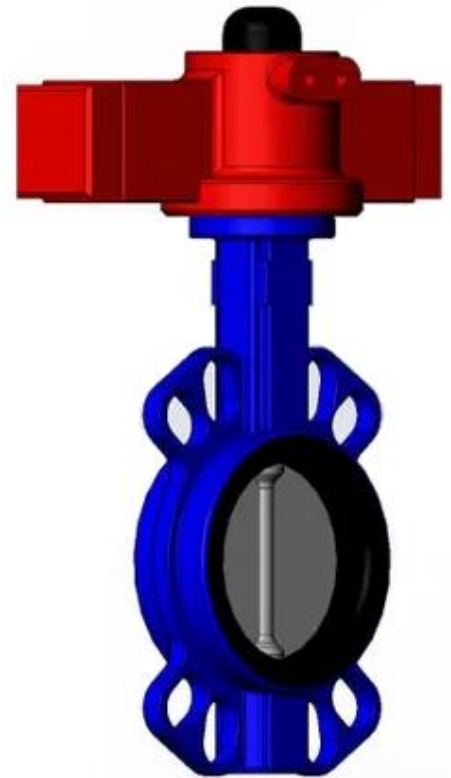


Application and Working Medium

Butterfly valves are designed for industrial installations to fully open or close a passage of the working medium flowing through a pipeline. Our valves open and close with the use of a hydraulic actuator which can be manually overridden. These units have an average life cycle of 50,000 cycles. Valves can also be used for flow-control purposes. However, a 100% tightness of the valve cannot be guaranteed in a long-term use for control purposes.

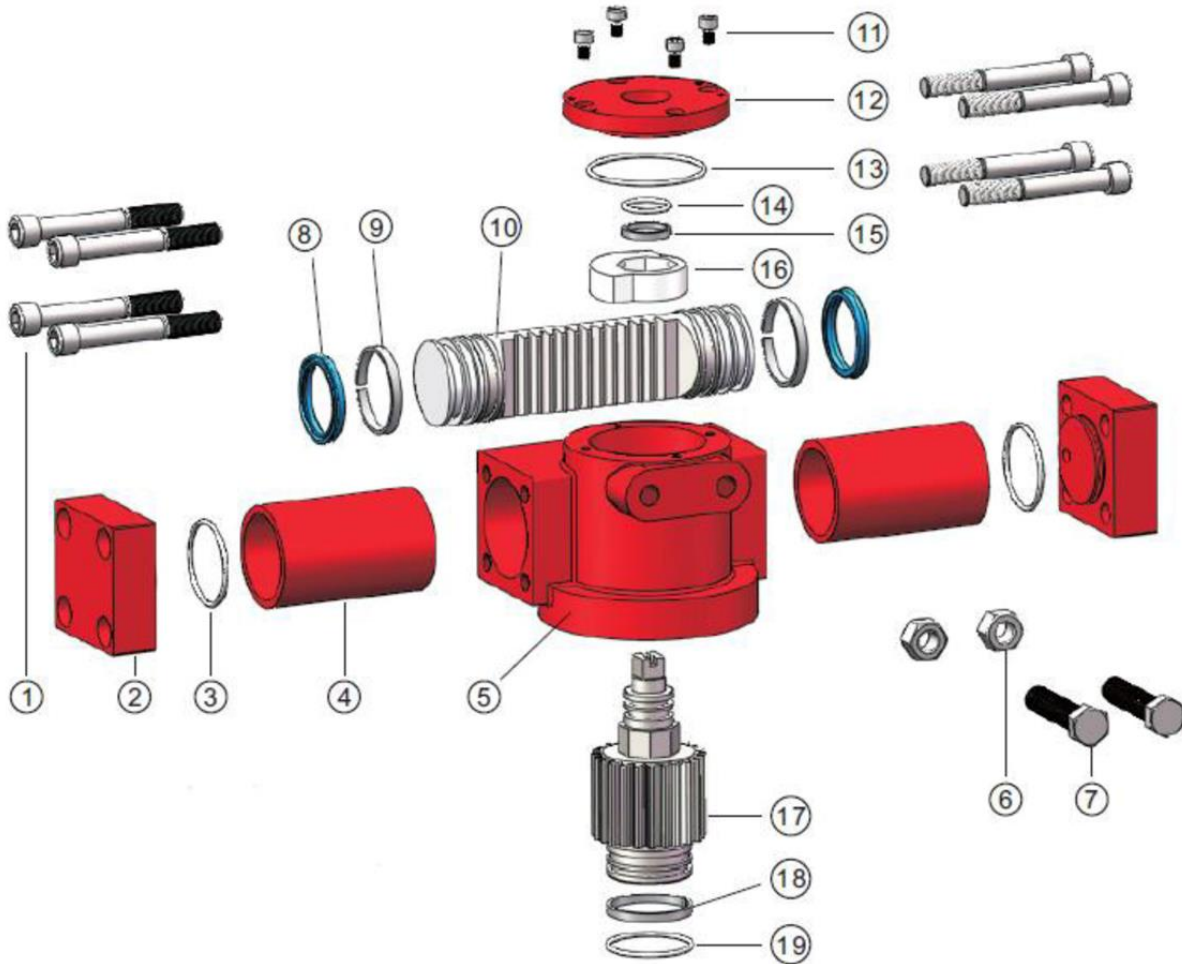
The valve design is a wafer type allowing it to be bolted between existing pipe work. Using an EPT (high temperature EPDM) sealing, it is suitable for waste water, drinking water, hot water, steam, air, diluted acids, and alkalis. Temperature of working medium: - 20...+140°C. Actuator ambient temperature: - 20...+80°C. The butterfly valves can be mounted into horizontal, vertical or inclined pipeline.



Code	DN	Valve working pressure [bar]	Actuator working pressure [bar]	Connection flange	Build-in length [mm]	Weight, [kg]
Hydraulic Actuator Series ES32						
ES32DABV50N	50	16	160	PN10/PN16	43	8,5
ES32DABV65N	65	16	160	PN10/PN16	46	9,3
ES32DABV80N	80	16	160	PN10/PN16	46	9,5
ES32DABV100N	100	16	160	PN10/PN16	52	10,8
ES32DABV125N	125	16	160	PN10/PN16	56	12,8
Hydraulic Actuator Series ES50						
ES50DABV50N	50	16	160	PN10/PN16	43	18,6
ES50DABV65N	65	16	160	PN10/PN16	46	19,4
ES50DABV80N	80	16	160	PN10/PN16	46	19,6
ES50DABV100N	100	16	160	PN10/PN16	52	20,9
ES50DABV125N	125	16	160	PN10/PN16	56	22,9
ES50DABV150N	150	16	160	PN10/PN16	56	23,8

Actuated Centric Butterfly Valves

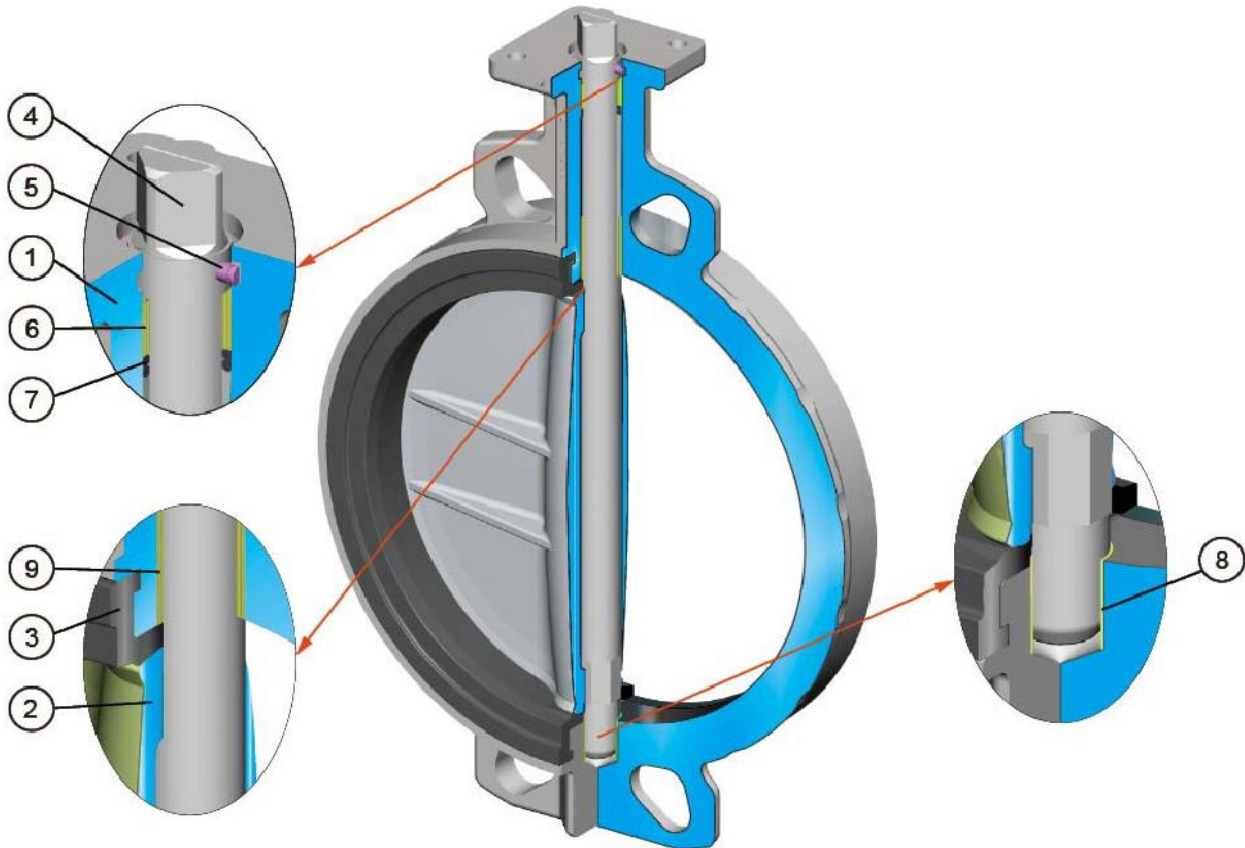
Parts and Materials – ES Series Hydraulic Actuator



PN	Part Name	Materials	PN	Part Name	Materials
1	Bolt of end caps	Stainless steel	11	Bolts of top cover	Stainless steel
2	End caps	Q235A	12	Top cover	Q235A
3*	O-ring of end caps	NBR	13*	O-ring of top cover	NBR
4	Hydraulic cylinder	ASTM 1045	14*	O-ring of pinion	NBR
5	Housing	Ductile iron	15*	Guide ring of pinion	POM/
6	Lock nut of travel stops	Stainless steel	16	Locating piece	Q235A
7	Adjusting bolt	Stainless steel	17	Pinion	ASTM 1045
8*	Y-shaped oil seal ring	P2B	18*	Guide ring of pinion	POM
9*	Guide ring	POM/PF	19*	O-ring of pinion	NBR
10	Rack	ASTM 1045			

* wearing parts

Parts and Materials – Butterfly Valves



PN	Part Name	Materials	PN	Part Name	Materials
1	Body	Cast Iron	6	Bush	Delrin
2	Disc	Stainless steel	7	O-Ring	NBR
3*	Seat	EPT	8	Bush	Bronze
4	Stem	Stainless steel	9	Bush	RPTFE + Stainless steel
5	Pin	Stainless steel			

Actuated Centric Butterfly Valves

Wafer Type



CV Flow Coefficient

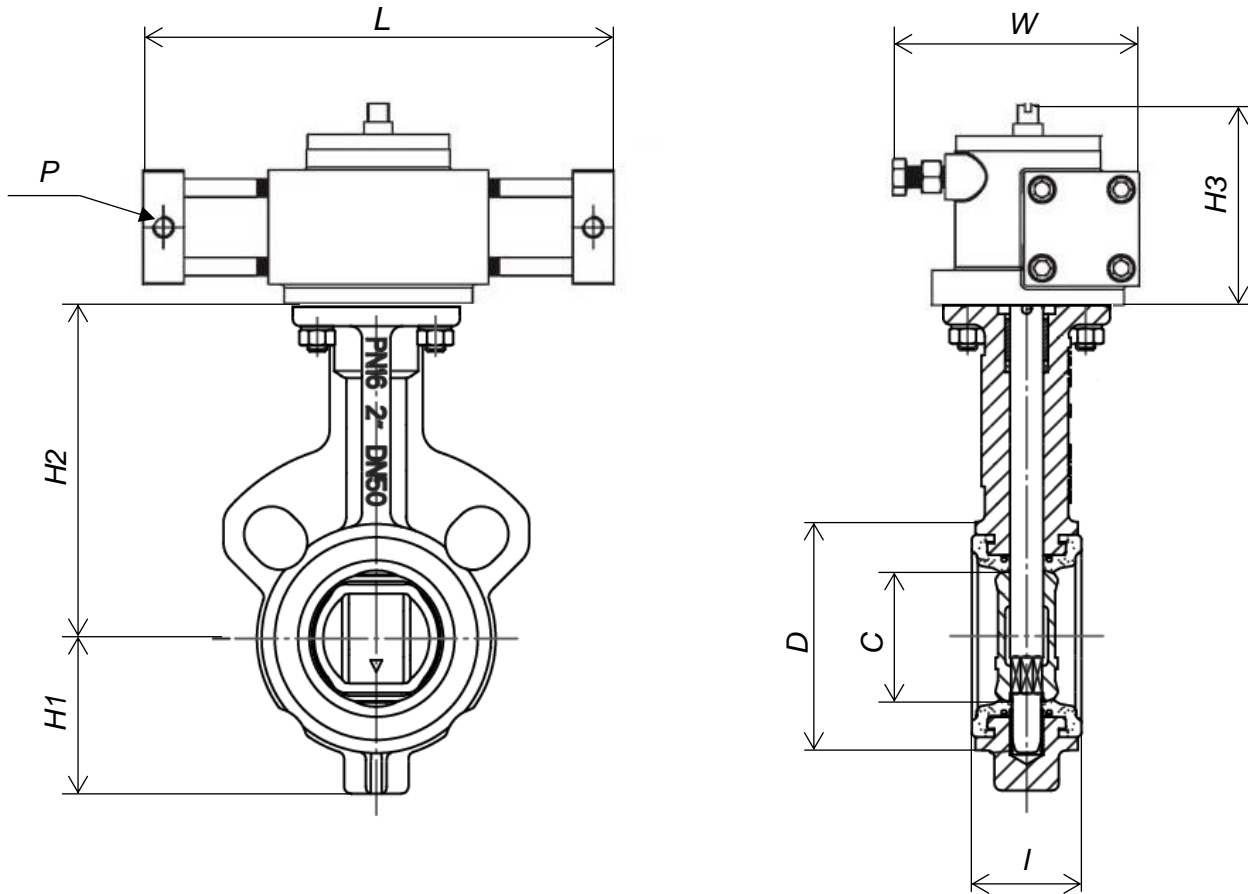
DN		Percent of rated travel								
mm	inch	10%	20%	30%	40%	50%	60%	70%	80%	90%
50	2,0	1,3	4,4	11,9	25,7	44,5	70,2	117,0	154,4	225,8
65	2,5	2,3	8,8	21,3	41,0	71,4	111,2	218,8	280,8	368,6
80	3,0	2,9	11,5	30,4	56,2	97,1	147,4	250,4	395,5	497,3
100	4,0	4,4	17,1	45,6	84,2	139,2	258,6	422,4	709,0	845,9
125	5,0	7,6	28,1	72,5	138,1	253,9	461,0	700,8	1214,5	1454,3
150	6,0	11,7	48,0	111,2	204,8	381,4	634,1	1021,4	1474,2	2175,0

Torque Chart (Including 30% Safety Factor)

DN		Differential pressure, [bar]						
		Lubricating (Non-corrosive), [Nm]				Dry [Nm]		
mm	inch	3 bar	6 bar	10 bar	16 bar	3 bar	6 bar	10 bar
50	2,0	15	17	19	23	19	21	23
65	2,5	18	20	22	26	22	24	27
80	3,0	28	31	34	41	34	38	42
100	4,0	37	41	45	54	45	50	56
125	5,0	61	68	76	91	76	84	93
150	6,0	116	127	140	154	126	138	152

Actuated Centric Butterfly Valves

Dimensions



Code	D [mm]	I [mm]	L [mm]	W [mm]	H1 [mm]	H2 [mm]	H3 [mm]	C [mm]	P [inch]
Hydraulic Actuator Series ES32									
ES32DABV50N	96	43	228	110	65	143	86	20	¼
ES32DABV65N	110	46	228	110	71	155	86	20	¼
ES32DABV80N	124	46	228	110	77	162	86	20	¼
ES32DABV100N	148	52	228	110	107	181	86	20	¼
ES32DABV125N	180	56	228	110	122	197	86	20	¼
Hydraulic Actuator Series ES50									
ES50DABV50N	96	43	313	161	65	143	131	20	¼
ES50DABV65N	110	46	313	161	71	155	131	20	¼
ES50DABV80N	124	46	313	161	77	162	131	20	¼
ES50DABV100N	148	52	313	161	107	181	131	20	¼
ES50DABV125N	180	56	313	161	122	197	131	20	¼
ES50DABV150N	206	56	313	161	140	210	131	20	¼