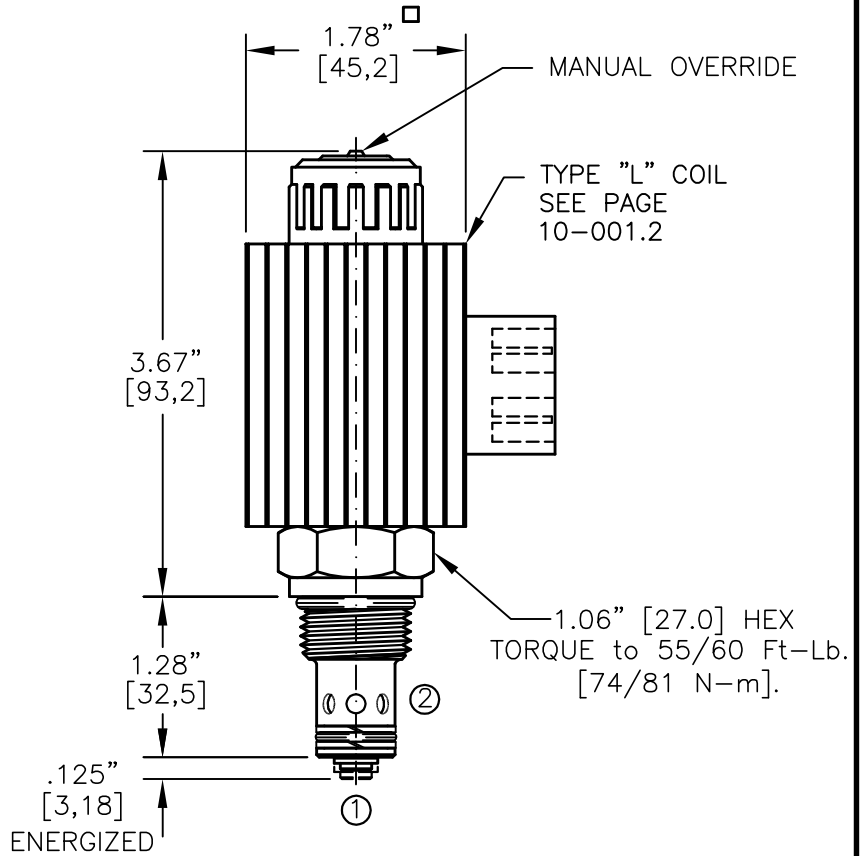
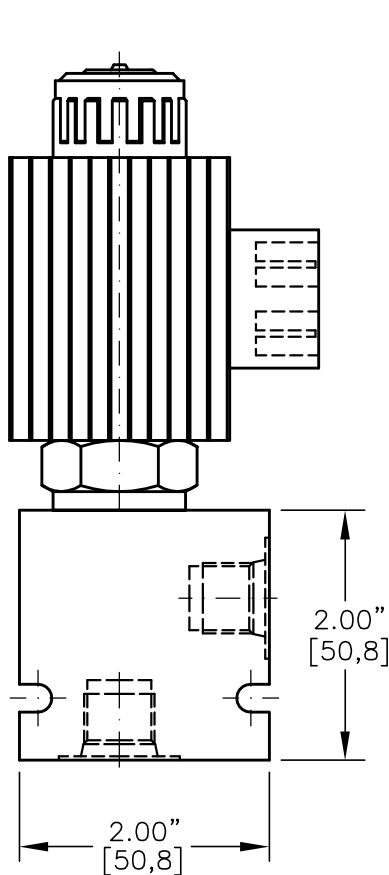
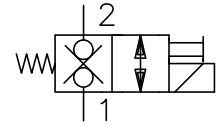




SOLENOID VALVE, NORMALLY CLOSED.
DIRECT ACTING, BALANCED POPPET (2/2)



NOTES:

- 1. FOR ALUMINUM OR STEEL VALVE HOUSING CONFIGURATIONS SEE PAGE 0-012.1
- 2. SOLENOIDS AVAILABLE WITH DIODES - CONSULT FACTORY.
- 3. ALL A.C. COILS ARE INTERNALLY A.C. TO D.C. RECTIFIED.
- 4. FOR SOFT SHIFT SOLENOID VALVE SEE PAGE 10-002.0

EMDV-10-X-C3-X-XXX X

BASIC

SIZE
10 = 7/8"-14UNF

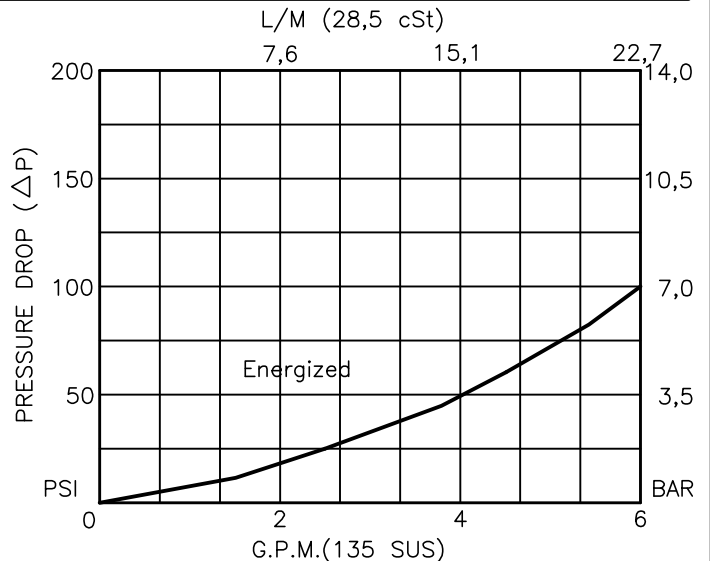
SEALS
N = BUNA "N"
V = VITON

TYPE
C3=N.C. BALANCED POPPET
2-WAY, 2-POSITION

PORTS
0 = CARTRIDGE ONLY
06TX = SAE - #6
08TX = SAE - #8
"A" = ALUM. HOUSING
"S" = STEEL HOUSING

TERMINALS
L=18GA. 24" LEADS
T=SPADE TERM.
B=BOLT TERM.
G=DIN43650
W=WEATHER-PACK
D=DEUTSCH-DT04-2P
M=METRI-PACK CONN.

VOLTAGE	AMPS
12D = 12 VDC	3.00
24D = 24 VDC	1.50
36D = 36 VDC	1.00
48D = 48 VDC	0.75
110D = 110 VDC	0.33
115A = 115 VAC	0.32
230A = 230 VAC	0.16





SOLENOID VALVE, NORMALLY CLOSED, DIRECT ACTING, BALANCED POPPET (2/2)

DESCRIPTION

This unit is a NORMALLY CLOSED, TWO POSITION, cartridge type, balanced poppet, direct acting, screw in type, solenoid operated, directional control valve.

OPERATIONS

When solenoid coil is de-energized, this valve allows no flow from ports 1 to 2 and 2 to 1.

When solenoid coil is energized, the spool in this valve is shifted and allows flow from ports 1 to 2 and 2 to 1.

Manual Operator Standard: Push in and hold a small plunger on top of the valve with a screw driver or a similar plunger smaller than .188" dia.

FEATURES AND BENEFITS

Continuous-duty, very low heat rise & waterproof solenoid coil.
Interchangeable solenoid coils & terminations options available.
Hardened precision fitted poppet & sleeve provides reliable, long life.
Very efficient, wet-armature solenoid core tube construction.
All external carbon steel parts are plated for longer life against the elements.
All cartridge valves are 100% functionally tested.
Industry common cavity.

SPECIFICATIONS

OPERATING PRESSURE: 5,000 PSI [350 Bar]

PROOF PRESSURE: 10,000 PSI [700 Bar]

FLOW: 6.0 GPM [22 l/m] See performance chart.

INTERNAL LEAKAGE: 5 drops/min [0.25 cc/m] @ 5,000 PSI [350 Bar]

VALVE HOUSINGS: 2500 PSI [175 Bar] = Aluminum - Anodized.

5000 PSI [350 Bar] = Steel - Unplated.

OPERATING TEMPERATURE: -40° to +250° F. [-40° to +120° C.]

OPERATING MEDIA: All general purpose hydraulic fluids such as MIL-H-5606, SAE-#10, SAE-#20, etc.

RESPONSE TIME: First indication of change in pressure with 100% voltage supplied @ 80% of nominal flow rating.

* Pull-in: 50 ms

* Drop-Out: 50 ms

SEAL KIT: SKN-1022 Buna "N"

SKV-1022 Viton

INSTALLATION: No restrictions.

WEIGHT: 1.90 lb [0,86 kg] cartridge with coil only.

VALVE CAVITY: #C1020, See Page 0-012.0.