

supreme

DIAMOND-V



For best results simply follow these instructions

TABLE OF CONTENTS

Warranty.....	3
Technical Specifications.....	3
Important Safety Instructions.....	4
Unpacking/ Standard Accessories.....	4
Installation.....	5
Operation	7
Maintenance.....	7

WARRANTY

The Supreme Comprehensive Hand Dryer Warranty—36 Month Warranty

36 month warranty on all operating parts against the defective materials and faulty workmanship for a period of 36 months from date of sale, subject to it being installed, maintained and used in accordance with the manufacturers instructions.

SPL Limited warrants that should any operating part of the dryer fail within 36 months of installation, that part will be replaced or repaired free of charge. Mileage and travelling time outside metropolitan areas by tradesperson or accredited service is payable by the customer. Alternatively, the dryer may be returned to SPL Limited or its accredited service agents for repair under warranty when the cost of the removal, re-installation and cartage will be payable by the customer.

This warranty does not cover the damages from non-operation of the hand dryer, the use of non-authorised parts, failure due to accident, misuse, abuse or failure to follow installation and maintenance instructions or consequential damage to any other goods, furnishings or property.

This warranty does not displace any statutory warranty in relation to the dryer but any liability of SPL Limited under any statutory warranty will be limited to a replacement or repair of the dryer or payment of the cost of such replacement or repair at the option of SPL Limited.

TECHNICAL SPECIFICATIONS

Cover	Aviation aluminium cover, anodised finish
Motor	Brushless EC Motor 24,500 rpm
Power Consumption	300W motor, 800W total with heater
Element	500W - switchable
Rating	240V AC IPX2
Switching	Infrared sensor with blue light assist
Sound levels	72dBA @ 1m
Max Airflow	324km/h, 90m/sec
Dimensions	275H x 130W x 128D mm
Weight	3.2kg
Warranty	The Supreme Comprehensive Hand Dryer Warranty – 36 Month Warranty
Standards	Complies with New Zealand and Australian Standards

IMPORTANT SAFETY INSTRUCTIONS

WARNING - TO REDUCE THE RISK OF FIRE, ELECTRICAL SHOCK, OR INJURY TO PERSONS, OBSERVE THE FOLLOWING:



- Use this unit only in the manner intended by the manufacturer. Manufacturer is not responsible for damage caused by misuse or defective installations.
- The instructions contained within the installation template enclosed must be followed carefully when installing this unit. Failure to accurately follow the instructions may result in the incorrect operation of this unit, damage to property and/or personal injury.
- Installation work and electrical wiring must be carried out by qualified person(s) in accordance with all applicable codes and standards.
- When cutting or drilling into wall or ceiling, do not damage electrical wiring and other hidden utilities.
- This unit has been designed for indoor use only, protected from water, sun and extreme temperatures. Do not use it outdoors or close to moisture and heat generators.
- This appliance can be used by children and persons with reduced physical, sensory or mental capabilities or lack of experience and knowledge if they have been given supervision or instruction concerning use of the appliance in a safe way and understand the hazards involved. Do not allow children to play with the appliance or carry out cleaning and user maintenance on the hand dryer.
- If the supply cord is damaged, it must be replaced by the manufacturer, its service agent or similarly qualified persons in order to avoid a hazard.

UNPACKING/ STANDARD ACCESSORIES

1. Remove all packing material. Recycling is recommended
2. Carefully remove the hand dryer from the shipping carton.
3. Use caution when removing the casing. The casing may have sharp edges/ corners which may cut or cause harm.
4. Inspect carefully for any damage that may have occurred during transit. Check for any loose, missing or damaged parts. If the hand dryer is damaged, promptly inform the shipper or dealer where you purchased it.

Standard items included with the hand dryer are:



Hex Key

Main Unit



Flat cable clamp and screw



Wall Mounting Anchors



INSTALLATION

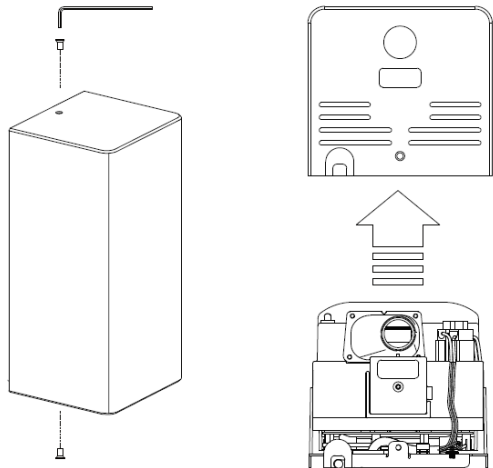
CAUTION

- Make sure power supply is switched off.
- All electrical installation and repair work should be carried out by a qualified person in accordance with current local codes or regulations.
- Check that the electrical supply corresponds to that shown on the rating plate. If the unit is connected to any electrical supply other than stated on the rating plate of the unit, permanent damage or unsafe operation of the unit may result.
- The unit must be mounted on a flat vertical wall capable of supporting the full weight of the unit.
- Do not use the backplate as a guide when drilling. Ensure no pipe work (gas, water, air) or electrical cables, wires or ductwork are located directly behind the drilling/mounting area.

1. UNPACKING

- 1.1 Place the main cover on a cloth to avoid marking its surface.
- 1.2 Remove the (2) security screws from the main body, using the hex key provided. Store safely.
- 1.3 Lift the front cover off the main body.

CAUTION: Before installation decide if the cable entry is to be from the rear or the above. Follow the relevant instructions. Do not use the backplate as a guide when drilling.



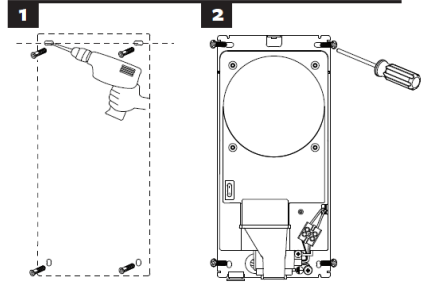
Recommended height measurements

from the floor to top screws **1**

Mens Washroom	1300mm
Ladies Washroom	1265mm
Children 11-14yrs	1108mm
Children 8-11yrs	1028mm
Children 5-8yrs	928mm
Disabled persons	1050mm

2. POSITIONING

- 2.1 Mark the location on the wall with a pencil. Use the drilling template to mark the locations for the four fixing points. **1**
- 2.2 Pre-drill the wall in the marked locations using a 5/16 (8mm) drill, inset the plastic anchors and tap flush to the wall. **1**
- 2.3 Fix the backplate to the wall. Screw to the wall and secure with the appropriate fitting. **2**



3. INSTALLING THE POWER CABLE & CONNECTION TERMINAL BLOCK

WARNING: ENSURE POWER IS NOT CONNECTED


3.1 Pull the cable through the grommet. Ensure the cable is long enough to route correctly through the backplate to the terminal block.

3.2 The cable must sit in the dedicated channel.

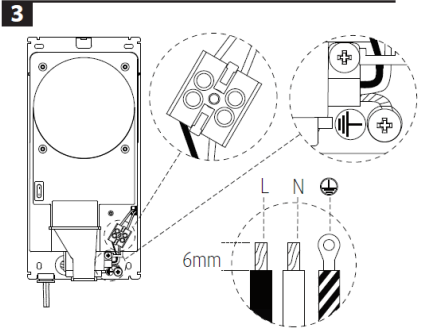
3.3 As shown, connect cable to terminal block **3**

3.4 Screw in terminal block.

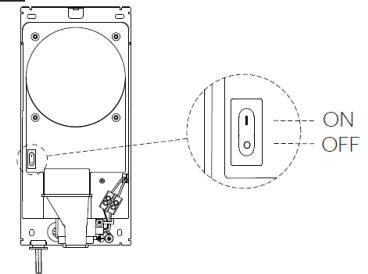
3.5 Fix the cable clamp with screw in the backplate.

CAUTION: Connect the earthing wire to the terminal block marked 

4



4



4. HEATER SWITCH

4.1 Heater switch ON/OFF (factory default setting "ON")

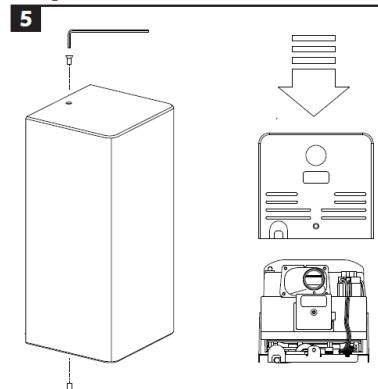
4. ATTACHING MAIN BODY

4.1 Position cover over backplate **5**

4.2 Insert and tighten the (2) security screws into the top and bottom of the main body with the hex key as illustrated below.

4.3 Turn power on.

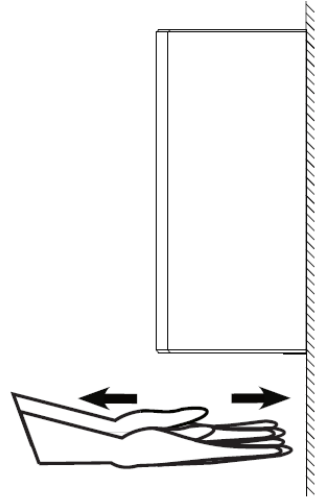
4.4 Test unit for correct operation.



OPERATION

1. Non touch operation.
2. Shake excess water from hands
3. Place hands under the outlet to start operation.
4. Slowly move hands back and forth through the hand dryer.
5. Sensor has blue light assist.
6. Stops automatically after hands are removed.

If there is an electrical or motor problem a blue LED will blink when hands are placed under sensor.



MAINTENANCE

REGULAR MAINTENANCE

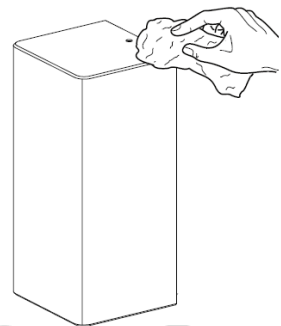
Regularly clean the outer casing using a soft, damp cloth to gently wipe away any dirt.

CAUTION: Never use abrasives or chemicals to clean the cover. Do not soak.

PERIODICAL DEEP CLEAN

Cleaning and maintenance must be performed by qualified electrical personnel.

1. Disconnect the electrical supply.
2. Use the hex key to remove the two cover security screws.
3. Remove the cover.
4. Clean all dust and lint from the interior of the hand dryer.
5. Replace the cover.
6. Wipe the cover with a damp cloth.



CAUTION: Do not overtighten the screws.



supreme

DIAMOND-V

SPL

■ premium washroom products