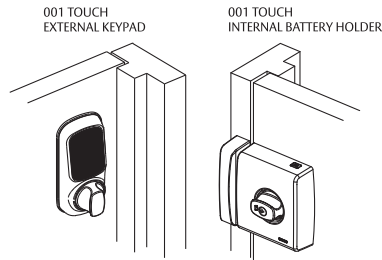


**CONTENTS**

- External Keypad Assembly
- 001 Deadlatch Lockset
- Battery Pack Mounting Plate
- Battery Pack Cover
- Strike - Standard
- Strike - Small
- Door Frame Strengthenener
- AA Batteries x 4
- RFID Key Cards x 2
- Screws x 4 (001 Lockset)
- Retainer Screw (20, 30 & 40mm) x 2
- Screws x 3 (Battery Pack)
- Screws x 3 (Strike Body)
- Screws x 2 (Door Frame Strengthenener)
- Body Retainer Screw (20, 30 & 40mm) x 2

**TOOLS REQUIRED**

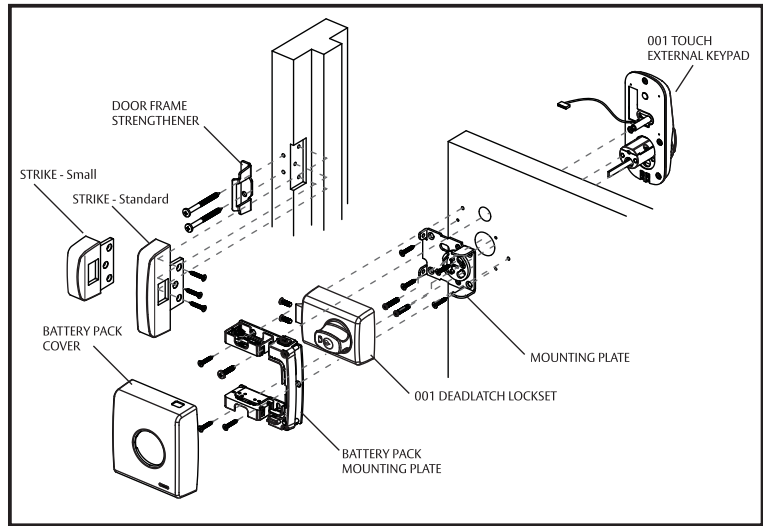
- Ø32mm & Ø16mm Spade bit
  - Ø4mm & Ø3mm Drill bit
  - Electric drill
  - Phillips Head screwdriver
  - Chisel - 25mm or smaller
  - Hammer
  - Masking tape
  - Pencil
- Please ensure that all necessary safety precautions are undertaken when installing this lockset.



Door Thickness - 32mm to 50mm



Refer to 001 TOUCH™ USER GUIDE for lockset programming and operation



**1 DOOR PREPARATION**

- Select CLOCKWISE or ANTI-CLOCKWISE side of template to suit door opening direction.
- Position template and prepare door as specified on template.

**2 REMOVE MOUNTING PLATE FROM LOCKSET**

LOCK CASE

001 DEADLATCH MOUNTING PLATE

- To remove Mounting Plate from the lockset, rotate turnknob fully clockwise to HOLD BACK position.
- Remove two case mounting screws from lock case.
- Take mounting plate out of lock case.

**3 CUT CONNECTING BAR**

CONNECTING BAR

MARK AND CUT CONNECTING BAR 5mm PAST DOOR FACE

- Position 001 Touch External Keypad in door as shown.
- Mark Connecting Bar with 5mm protrusion past door face.
- Remove Keypad and CUT CONNECTING BAR TO CORRECT LENGTH.

**4 SECURE MOUNTING PLATE**

MOUNTING PLATE

- Secure MOUNTING PLATE to door with four wood screws supplied.

**5 MOUNT EXTERNAL KEYPAD**

RETAINER SCREW  
20mm length - 32 to 40mm Doors  
30mm length - 40 to 50mm Doors

- Feed CONNECTOR LOOM through hole in door (1).
- With the Connecting Bar vertical, assemble Keypad to door and engage connecting bar into hub slot (2).
- Place RETAINER SCREWS (x2) through slot in hub (3.) and secure Keypad cylinder. Ensure that both screws are tightened firmly and hub is free to rotate.

**6 ASSEMBLE LOCKSET**

- Rotate turnknob fully clockwise to HOLD BACK position.
- Ensure notch on hub is aligned with vee on mounting plate. Fit case body to mounting plate as shown.
- Secure Lock Case to mounting plate using the two case mounting screws.

**7 SECURE BATTERY COVER MOUNTING PLATE**

3 x 15mm LONG SELF TAPPING SCREWS

VERTICAL SLOT

- Feed Connector Loom through Vertical Slot in Battery Pack Mounting Plate.
- Secure BATTERY PACK MOUNTING PLATE around 001 Lock Case, to door with 3 x 15mm Long Self Tapping Screws supplied.

**8 CONNECT LOOM**

LOOM GROOVE

LOOM SOCKET

BODY RETAINER SCREW  
20mm length - 32 to 40mm Doors  
30mm length - 40 to 50mm Doors  
BE CAREFUL NOT TO PINCH CONNECTOR LOOM WHEN TIGHTENING

- Attach Connector loom plug into loom socket and secure loom into loom groove. (4.)
- Place BODY RETAINER SCREW through vertical slot in mounting plate and secure to Keypad screw post. BE CAREFUL NOT TO PINCH CONNECTOR LOOM WHEN TIGHTENING.

**9 FINAL INSTALLATION**

- Insert batteries (4 x AA) in battery holders (two above, two below).
- Assemble BATTERY PACK COVER over mounting plate and lock case. Ensure Battery Pack Cover case engages onto mounting plate.

**10 MOUNTING STRIKE**

Door Frame Strengthenener Template

Strike

Door Frame Strengthenener

- Position strike on jamb directly opposite the lock case and mark outline of strike flange on jamb edge.
- Mortice area for flange. Depth of flange mortice determines gap. Note: 3mm max. gap between lock and installed strike.
- Position door frame strengthenener template in strike flange mortice as shown above.
- WARNING: Care must be taken when drilling and affixing screws to jamb. Screws must NOT come in contact with electrical wires in jamb. Mark and drill holes as specified on template.
- Install door frame strengthenener and secure using two door frame strengthenener screws.
- Locate strike over door frame strengthenener and secure using three strike mounting screws. Note: Pre-drill 3mm x 25mm deep for wood screws.