



5/22/2025

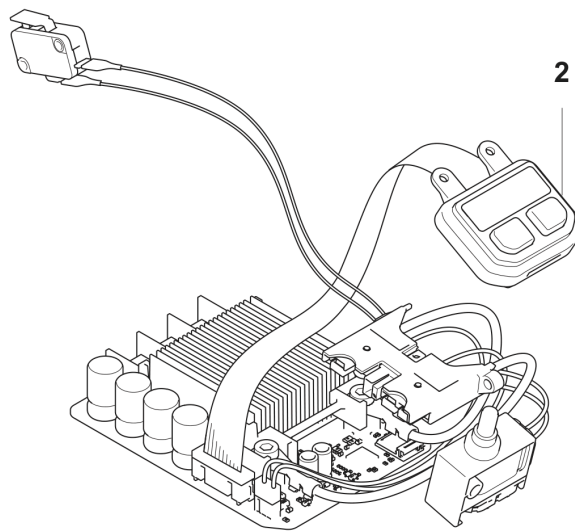
Kit, 14", 3/8" mini, Standard, incl 40-B140 & 40-C80, AU/NZ



G 240i
ELECTRICAL

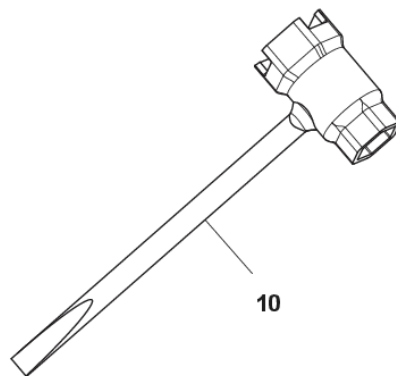
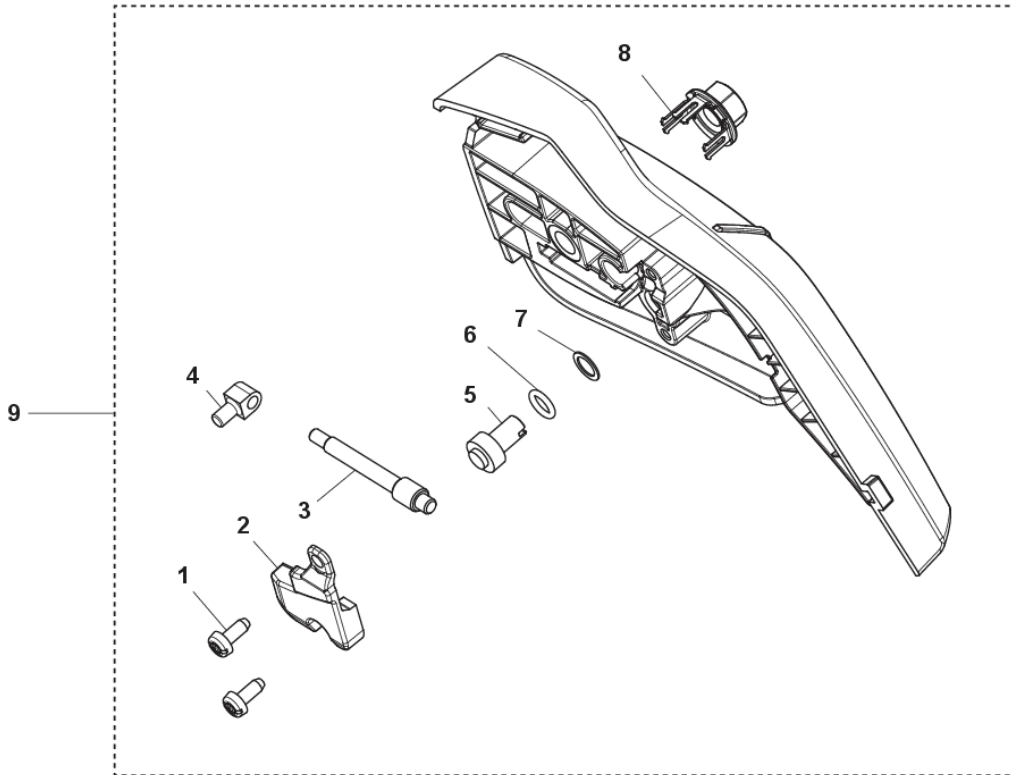
1

2



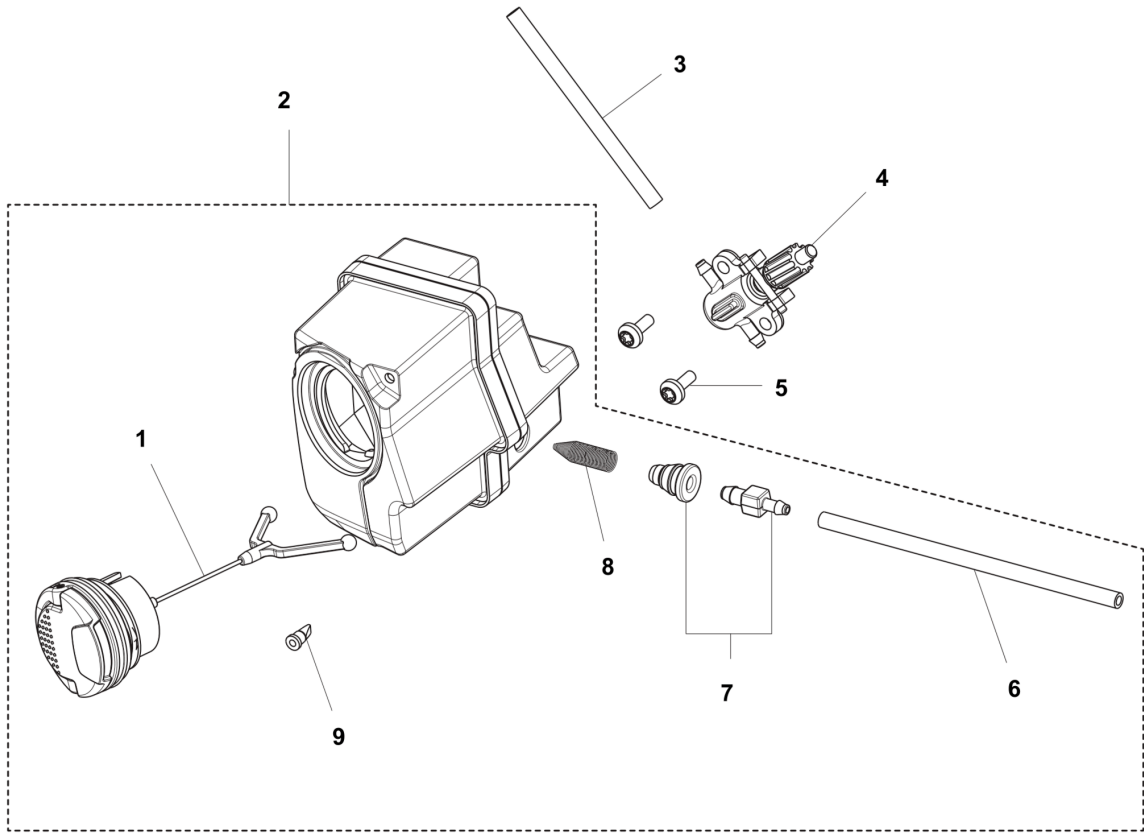
Reference	Article Number	Article Name	Quantity	Comment
1	536050001	ELECTRICAL SYSTEM G5.a 240i - ROW	1	
2	529633004	CONTROL PANEL G5 240i - ROW	1	

F 240i CLUTCH COVER



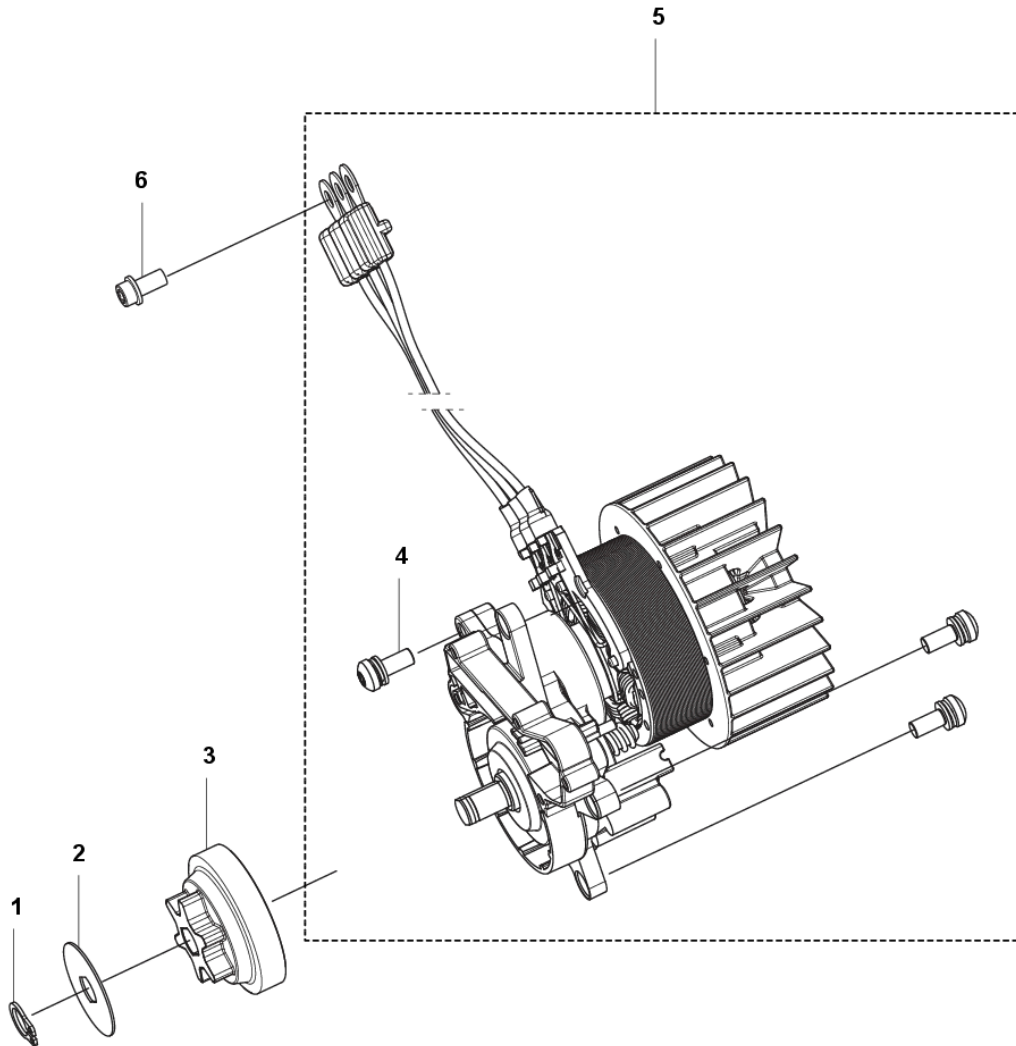
Reference	Article Number	Article Name	Quantity	Comment
1	585819001	SCREW ST4X12	2	
2	535287501	COVER CHAIN TENSIONER	1	
3	537397001	WORM SCREW	1	
4	588850301	PIN Bar Adjusting	1	
5	599724101	WORM WHEEL Left hand teeth	1	
6	740480702	O-RING BS 1806 6.75x1.78	1	
7	503230063	WASHER 7.2x10.3x0.5 St	1	
8	505197301	NUT RETAINER ASSY M8 LIGHTLY OILED	1	
9	537648601	CLUTCH ASSY servicer parts	1	
10	587465401	SCRENCH	1	

A 240i
OIL TANK



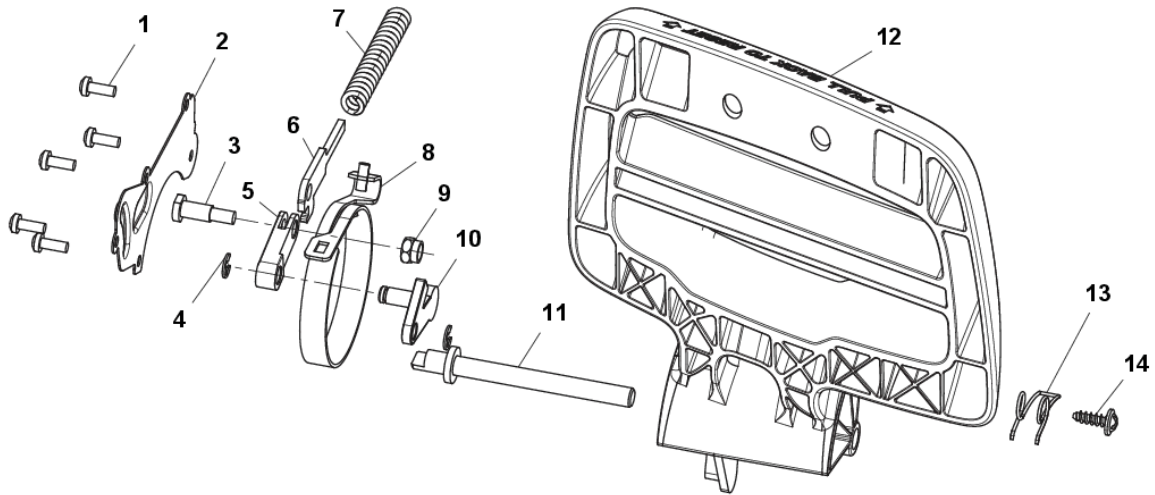
Reference	Article Number	Article Name	Quantity	Comment
1	522620003	TANK CAP ASSY Grey	1	
2	538631001	TANK ASSY 240i servicer parts	1	
3	585566601	OIL HOSE White and Transparent,	1	
4	579043901		1	
5	586902901	SCREW M4x10 machine screw	2	
6	535670301	OIL HOSE White and transparent 140mm	1	
7	537648301	SEAL WITH EBLOW	1	
8	530056533	SCREEN	1	
9	575484501	VALVE NIPPLE	1	

D 240i
DRIVE



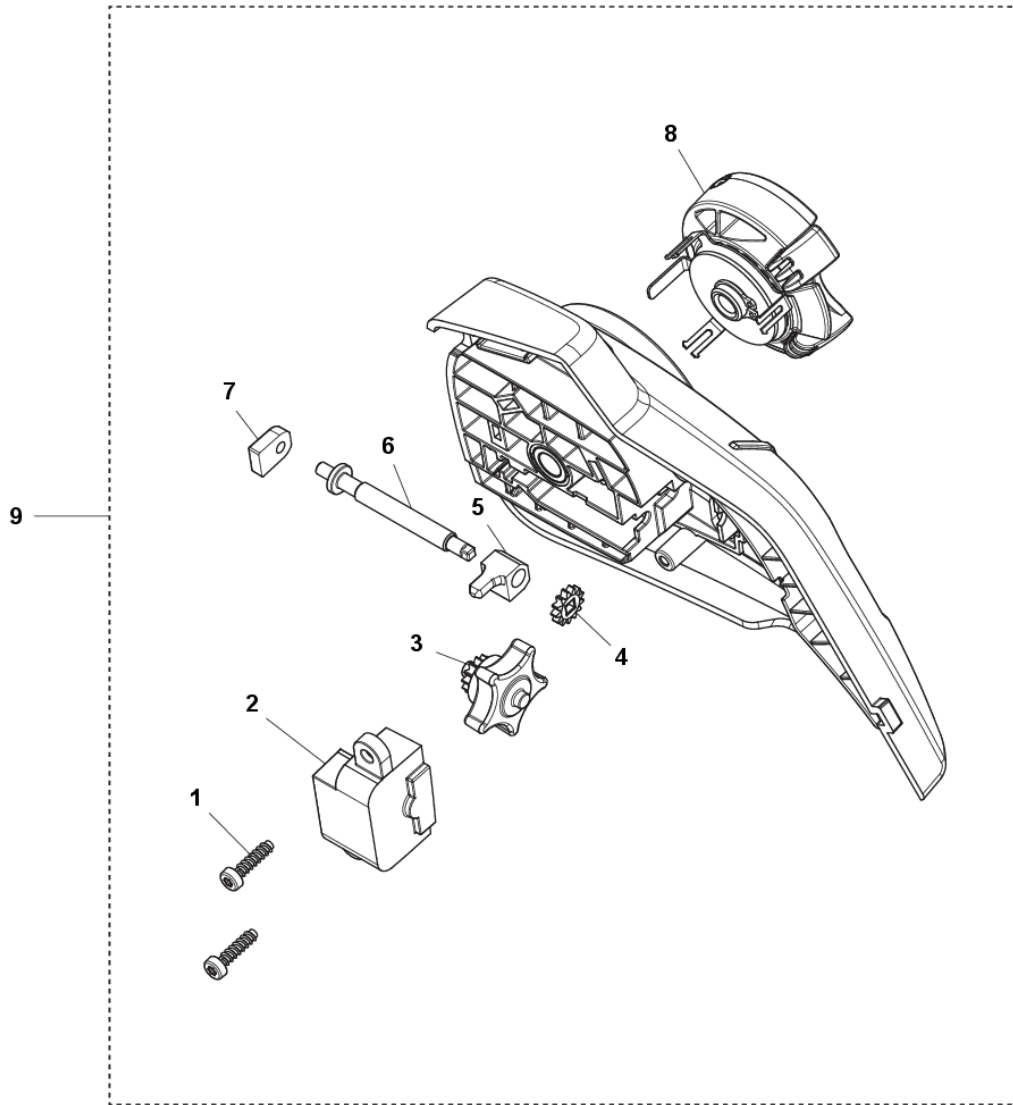
Reference	Article Number	Article Name	Quantity	Comment
1	574797701	Locking ring	1	
2	585602001	WASHER	1	
3	536914301	SPROCKET 6 teeth	1	
4	586902802	SCREW machining screw with washer M5X13 Torx LOCK	3	
5	538631101	DRIVER ASSY 240i&350i servicer parts	1	
6	525755107	SCREW ITXSCFM M5X8 T27 10.9 Zn/Fe	3	

C 240i
CHAIN BRAKE



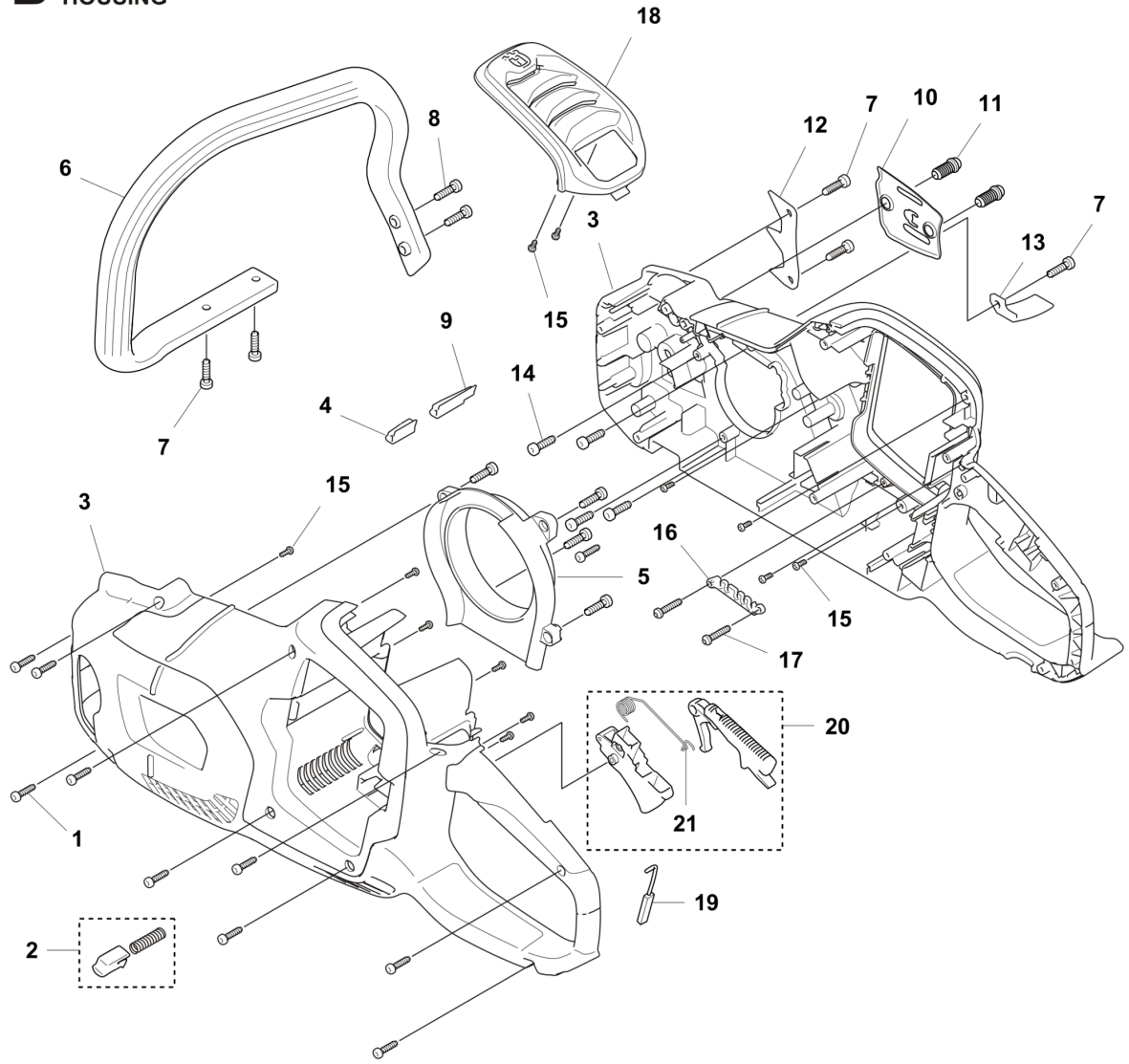
Reference	Article Number	Article Name	Quantity	Comment
1	586903001	SCREW M3x8 machine screw	5	
2	536629001	COVER brake plate	1	
3	586902601	PEN Brake system	1	
4	587377701	CLAMP For Brake System	2	
5	585603501	PLATE JOINT	1	
6	585594401	PLATE BRAKE	1	
7	585590501	BRAKE SPRING	1	
8	536629101	BAND brake	1	
9	586902701	NUT Locking nut	1	
10	582488701	DRIVE LINK Drive link	1	
11	585931901	PIVOT hand guard	1	
12	585581301	BRAKE HAND GUARD	1	
13	587600101	SPRING Brake cut off powder	1	
14	575309802	SCREW SCREW MT3x10 36V	1	

E 240i CLUTCH COVER



Reference	Article Number	Article Name	Quantity	Comment
1	585819001	SCREW ST4X12	2	
2	585593401	COVER PINION	1	
3	578776501	CHAIN TENSIONER WHEEL COMPL.	1	
4	585593501	PINION adjustment	1	
5	585593701	PLATE adjustment	1	
6	585593901	SHAFT TENSION	1	
7	585594001	SLEEVE	1	
8	591471101	KNOB	1	
9	537648501	CLUTCH ASSY servicer parts	1	

B 240i HOUSING



22

147 / 581 mm

23

187 / 456 mm

24

187 / 457 mm

WARNING
 Read and follow all safety precautions in the owner's manual. Failure to follow instructions could result in serious injury to user. Tip contact may cause the guide bar to move suddenly upward and backward, which may cause serious injury to user. Two hands are always to be used in operation of the chain saw. Use only identical replacement bar and chain components manufactured by Husqvarna. For use only with Husqvarna 24-series batteries. See instruction manual for additional battery packs.

AVERTISSEMENT
 Consulter et respecter les consignes de sécurité contenues dans le manuel de l'utilisateur. Le non-respect de ces instructions peut entraîner de graves blessures chez l'utilisateur. Tout contact avec le nez peut entraîner des mouvements brusques du guide-chaîne vers le haut ou vers le bas susceptibles de gravement blesser l'utilisateur. L'opérateur doit toujours utiliser ses deux mains lorsqu'il fait fonctionner la tronçonneuse. Utilisez uniquement des pièces de rechange (du guide-chaîne et de la chaîne identiques ou soit fabriquées par Husqvarna. À utiliser uniquement avec les batteries Husqvarna de la gamme 24. Consultez le manuel d'instructions pour les renseignements sur les packs de batteries supplémentaires.

ADVERTENCIA
 Lea y siga todas las precauciones de seguridad especificadas en el manual de instrucciones. El incumplimiento de estas instrucciones podría provocar lesiones personales de gravedad. El contacto con la punta podría provocar un movimiento repentino hacia arriba y hacia atrás de la espada, que podría causar graves lesiones personales. La motosierra siempre debe manejarse con las manos. Utilice únicamente componentes de sustitución de la espada y la cadena idénticos a los originales y fabricados por Husqvarna. Solo para usar con baterías de la serie Husqvarna 24. Consulte el manual de instrucciones para obtener más información sobre los paquetes de baterías.



Reference	Article Number	Article Name	Quantity	Comment
1	585819002	SCREW ST4X16	9	
2	536503301	SPRING CASSETTE ASSY spring assy	1	
3	536663101	HOUSING ASSY 240i	1	
4	536629301	RUBBER PLUG left housing	1	
5	536577101	COVER Fan	1	
6	536558101	FRONT HANDLE 240I CHAIN SAW	1	
7	585592501	SCREW ST4.8x18	5	
8	585592502	SCREW ST4.8x25	2	
9	536629201	RUBBER PLUG right housing	1	
10	585602701	MOUNTING PLATE BAR	1	
11	587426601	SCREW ST8X16	2	
12	574225601	SPIKE	1	
13	505288501	CHAIN CATCHER	1	
14	585819001	SCREW ST4X12	8	
15	535395201	SCREW KIT Screw ST3x10	12	
16	536669801	BRACKET WIRE GUARD	1	
17	582712201	SCREW ST3X16	2	
18	536577001	COVER Top	1	
19	585589301	LEVER TRIGGER	1	
20	537664901	TRIGGER ASSY	1	
21	535671101	SPRING THROTTLE	1	
22	534232501	LABEL Warning-US	1	

23	534232503	LABEL Warning 16" bar	1
24	534232504	LABEL Warning 18" bar	1
25	534225601	LABEL Warning	1
26	537511202	LABEL Brand decal	1