

NQ12

Resettable Type Smoke Detector

Characteristics

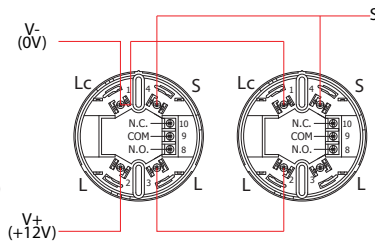
- Used widely in fire alarm systems or security systems.
- High accuracy IR diode sensor to detect the ambient smoke level more effectively.
- Several power regulators on PCB to stabilize the operation of detectors.
- New design on minified chamber makes so easy for maintenance.

Approvals: 

Wiring Diagram

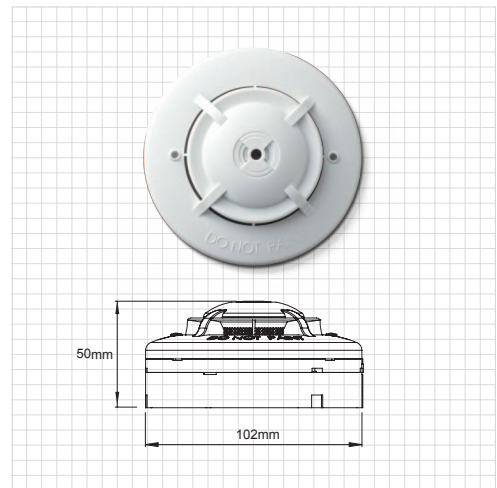
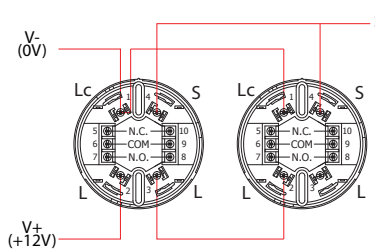
NQ12S / NQ12BS

Relay output :
Contact Ratings
0.8A@30VDC
0.4A@125VAC
(Refer to Security System Application)



NQ12BPS

Alarm output :
Normal Status : 8 & 9 open circuit
9 & 10 short circuit
Alarm Status : 8 & 9 short circuit
9 & 10 open circuit
Disconnection or Power-off Warning :
Normal Status : 5 & 6 open circuit
6 & 7 short circuit
Fault Status : 5 & 6 short circuit
6 & 7 open circuit



Specifications

| Model | NQ12S | NQ12BS | NQ12BPS |
|-----------------------|--------------------------------------|--------|---------|
| Voltage Range | 12V DC | | |
| Standby Current | 20uA (pulsing current under 450 uA) | | 15mA |
| Alarm Current @12V DC | 15mA | 20mA | 30mA |
| Sensitivity Setting | Comply to UL 268 | | |
| Sound | 85dB/3M | | |
| Ambient Temperature | -10°C ~ +55°C | | |
| Material | Fire-proof plastic | | |
| Dimensions | 102mm(Dia.) x 50mm(H) | | |
| Color | White | | |
| Weight | 135g | 140g | 155g |

Order information

| | |
|---------|--|
| NQ12S | + Relay Output |
| NQ12BS | + Buzzer + Relay Output |
| BQ12BPS | + Buzzer + Power off & Wire Disconnection Warning + Relay Output |