

# Milesight

## OpenVision Pro Dome Network Camera

n<sup>x</sup>

NDA A



IP67 + IK10

Motorized Lens

AI H.265+ HEVC AI ISP Super WDR 4K Mic MSense VCA 2.0 3-Axis 1TB Storage POE GMST ONVIF STARVIS 2

DATASHEET

### Key Features

- ▶ NDA A Compliance (The fully NDA A-compliant products are well suited for government, defense and a range of projects subject to the NDA A.)
- ▶ Precision Imaging Technology (Powered by P-Iris and a high-performance Day-Night Focus Lens to deliver stunning image clarity.)
- ▶ Up to 4K@60fps (Camera can easily capture fast-moving objects smoothly with no latency.)
- ▶ Hybrid Zoom (Combines optical and digital zoom to capture detailed images.)
- ▶ 1TB Edge Storage (Supports external microSD/SDHC/SDXC cards up to 1TB for ultra-large on-device storage.)
- ▶ Versatile Interfaces (Integrates DC 10V~28V power, PoE+, audio, and alarm interfaces neatly within the base, making it adaptable to various environments.)

### Serverless Deployment, Distributed Security

With embedded Network Optix VMS Server, the camera connects directly to the NX Cloud, enabling seamless communication between camera and client. Ensured by TPM 2.0 and edge recording, it further enhances data security for both transmission and storage.



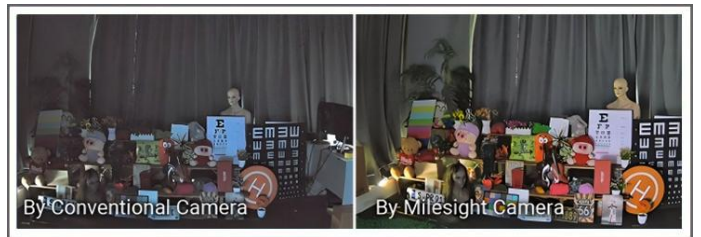
### Instant AI Search and Analytics

Build-in Milesight Plugin transmits AI metadata streams from cameras, supports advanced functions such as VCA 2.0 and face detection. Powered by cutting-edge AI technologies, the camera provides precise object detection and rapid attribute extraction for multiple objects, enabling advanced analytics, intelligent action processes, and efficient object search, with versatile adaptability across diverse scenarios.



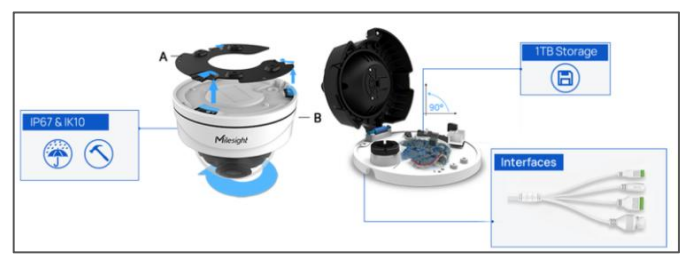
### Superior Low-light Performance

Equipped with a Sony STARVIS 2 1/1.8" large sensor and Day-Night Focus Lens, the camera delivers ultra-clear, superior images down to 0.004Lux@F1.2(Color). Powered by AI ISP, it further enhances image quality by reducing noise and improving clarity in the darkest



### Efficient & Simple Installation

Aiming to reduce the installation troubles to the least, the clamshell design is creatively introduced to the dome base. This revolutionary innovation enlarges the space to make cable connection a piece of cake, greatly saving efforts for installers.



# Milesight OpenVision Pro Dome Camera



	Model	MS-C5372-RFIPKG1 (5MP)	MS-C8272-RFIPKG1 (8MP)	
<b>Camera</b>	Image Sensor	1/2.8" Progressive Scan CMOS		
	Min. Illumination	Color: 0.004Lux@F1.2 B/W: 0Lux with IR on		
	WDR	120dB Super WDR		
	Shutter Time	1/100000s~1s		
	Day/Night Mode	Day/Night/Auto/Customize/Schedule		
	DORI Distance	D: 86~242M R: 16.5~47.5M	O: 33.5~95M I: 8~23.5M	D: 98.5~212M R: 19~41.5M
	S/N	>55dB		
<b>Illuminator</b>	Illuminator Number	3		
	IR Wave Length	850nm		
	Illumination Distance	Up to 50m	Up to 60m	
	Illuminator On/Off Control	Auto/Manual		
<b>Lens</b>	Lens	Motorized 2.7mm~13.5mm@F1.2		
	Field of View	H93.5°~H32.5°/D121°~D40.5° /V68°~V24.5°		
	Mount	Φ17		
	Focus Control	Auto/Manual		
	Close Focus Distance	Min. 1m	W: 1m; T: 1.5m	
	Aperture	Max. F1.2		
	Iris Type	P-Iris		
	Camera Angle Adjustment	Pan: 0°~355°, Tilt: 0°~80°, Rotation: 0°~355°		
<b>Video</b>	Max. Image Resolution	2592x1944		
	Primary Stream	60Hz: 60fps@(2592x1944, 2592x1520, 2048x1536, 1920x1080, 1280x960, 1280x720) 50Hz: 50fps@(2592x1944, 2592x1520, 2048x1536, 1920x1080, 1280x960, 1280x720)		
	Secondary Stream	60Hz: 60fps@(704x576, 640x480, 640x360) 50Hz: 50fps@(704x576, 640x480, 640x360)		
	Tertiary Stream	60Hz: 30fps@(2048x1536, 1600x1200, 1920x1080, 1280x720, 704x576, 640x480, 640x360) 50Hz: 25fps@(2048x1536, 1600x1200, 1920x1080, 1280x720, 704x576, 640x480, 640x360)		

# Milesight OpenVision Pro Dome Camera



<b>Video</b>	Quaternary Stream	60Hz: 10fps@(1280*720), 30fps@(704*576, 640*480, 640*360) 50Hz: 10fps@(1280*720), 25fps@(704*576, 640*480, 640*360)
	Video Compression	H.265+/H.265(HEVC)/H.264+/H.264/MJPEG
	Video Bit Rate	16Kbps~16Mbps(CBR/VBR Adjustable)
<b>Image</b>	Privacy Masking	Up to 8 Areas (Mask Area and Mosaic Area are optional)
	ROI	Up to 8 areas
	Image Setting	Brightness/Contrast/Saturation/Sharpness
	Image Rotation	Rotating 180°, Flip Horizontal, Flip Vertical, Clockwise 90°, Anticlockwise 90°
	Image Enhancement	BLC, HLC, DNR, AWB, Defog, AGC, Anti-flicker, Deblur, LDC
	Additional Zoom	Up to 40X
<b>Network</b>	Network Storage	NAS (Support NFS, SMB/CIFS), ANR
	Protocol	IPv4/IPv6, ARP, TCP, UDP, RTCP, RTP, RTSP, LLDP, RTMP, HTTP, HTTPS, DNS, DDNS, DHCP, FTP, NTP, SMTP, SNMP, UPnP, Bonjour, SIP, PPPoE, VLAN, 802.1x, QoS, IGMP, ICMP, SSL, TLS1.2
<b>Interface</b>	Ethernet	1*RJ45 10M/100M Ethernet Port
	Power Port	DC5521
	Audio I/O	Built-in Microphone and 1 Audio Output Interface
	Alarm I/O	1/1
<b>Audio</b>	Audio Compression	G.711/AAC/G.722/G.726
	Audio Sampling Rate	8/16/32/44.1/48KHz
	Audio Bit Rate	16~256kbps
<b>Intelligent Analytics</b>	Video Analysis	VCA 2.0: Intrusion Detection, Region Entrance, Region Exiting, Advanced Motion Detection, Line Crossing, Loitering, Object Left, Object Removed
	Attribute Extraction	Simultaneously detect up to 50 targets and capture humans and vehicles in real time. Recognize attributes including Upper and Lower Clothing Color, Hat, and Vehicle Types (Bicycle, Car, Motorcycle, Bus, Truck, E-scooter).
	Face Detection & Face Attribute Recognition	Detect and capture faces, get real-time snapshots; The attributes include Age, Gender, Glasses, Mask and Hat.
		Detect and capture faces, get real-time snapshots; The attributes include Age, Gender, Glasses, Mask and Cap.
	Object Counting & Report	Count the number of objects crossing the line, optionally human and vehicle. Support regional people counting for up to 4 detection areas.
	Heat Map	The built-in statistical behavior analysis enables you to identify the busiest areas within the environment.
	Sound Classification	Supports recognition of specific sounds including Gunshot, Glass Break, and Screaming. Triggers real-time alarms allowing you to respond quickly to any potential issues.
Helmet Detection	Detects whether individuals are wearing safety helmets. Triggers an alarm when a person is identified without a helmet, enhancing safety compliance on-site.	

# Milesight OpenVision Pro Dome Camera



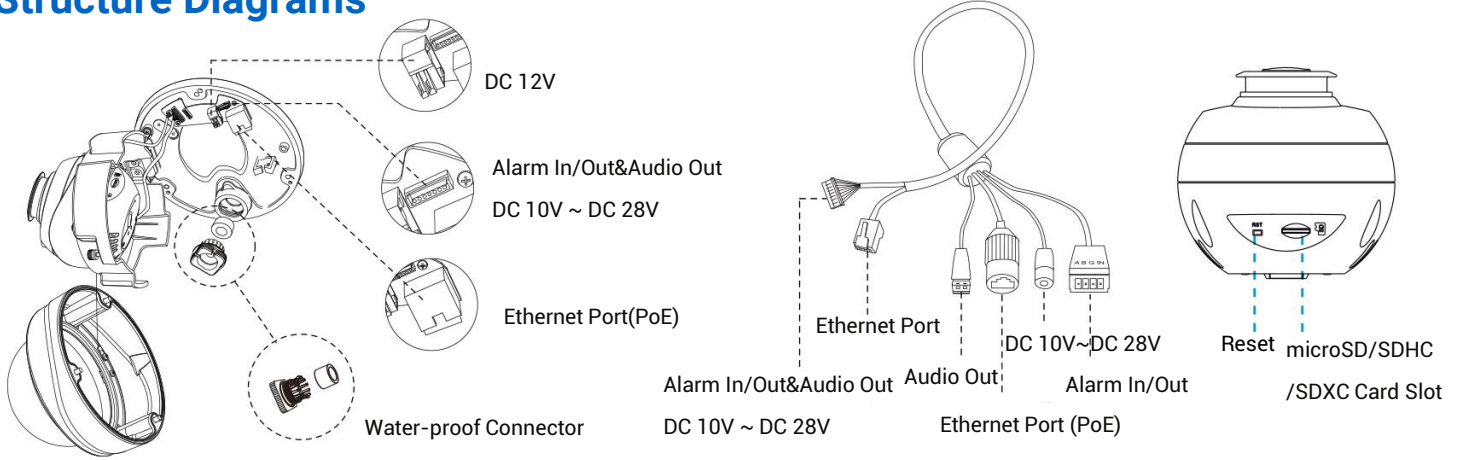
<b>Event</b>	One-Click Disarm	Support
	Basic Event	Motion Detection, Tamper Detection, Audio Alarm, External Input, External Output, etc.
	Exception	Network Disconnection, IP Address Conflict, Record Failed, SD Card Full, SD Card Uninitialized, SD Card Error, No SD Card, etc.
	Event Action	FTP Upload, Snapshot, SMTP Upload, SD Card Record, External Output, Play Audio, SIP Phone, HTTP Notification, etc.
<b>System</b>	Storage	Support microSD/SDHC/SDXC Card Local Storage, up to 1TB
	TPM 2.0	Support
	Watermark	Support
	SIP/VoIP Support	Yes, Voice & Video-over-IP
	System Compatibility	ONVIF Profile G & M & S & T, API
	VMS Support	Nx witness, Milestone XProtect, Genetec Security Center, Digifort VMS, AXXON One, Arteco uSee, Arteco Omnia, 3dEYE Video Portal, Camcloud Cloud Video Surveillance, Salient CompleteView VMS, CathexisVision, Mirasys VMS, Digiever CMS, Watchful OS etc.
<b>Edge</b>	Edge Storage	Support microSD Card Local Storage, up to 1TB (UHS-I Micro SD, A2 standard or above); Support SD Card Health Information Query
	Edge VMS	Single Camera Mode: Support to register the maximum number of the camera - up to 1 camera (purchase the license with 1× NX channel) - total bandwidth: Up to 11Mbps. Multi-camera Mode: Support to register the maximum number of the camera - up to 4 cameras (purchase the license with 4× NX channel) - total bandwidth: Up to 11Mbps. *AI mode can be enabled only when hosting 1 additional camera. When hosting 3 additional cameras, AI Mode cannot be enabled and only basic video streams are supported.
	NX Merge	Max. 16 Cameras
<b>General</b>	Working Temperature	-40°C~60°C
	Working Humidity	0~95% RH (Non-condensing)
	CPU	Dual-core 64-bit Arm CA53 processor
	Memory	2GB RAM, 4GB Flash
	Power Supply	PoE (802.3af) / DC 10V~DC 28V (Note: When both the power adapter and PoE are connected, please disconnect either one. This will not cause the device to restart; it will continue to work normally.)
	Power Consumption	Min.: 3W (DC), 4W (PoE) Max.: 8.5W (DC), 10.5W (PoE)
	Surge Protection	6KV
	Net Weight	1250g
	Gross Weight	1550g
	Dimensions	Φ143mm X 108.4mm
	Warranty	3/5 Years
<b>Certification</b>	EMC	CE-EMC (EN 55032, EN 55035), FCC (PART 15B)
	Safety	CE-LVD (EN IEC 62368-1)
	Environment	CE-ROHS (Directive (EU) 2015/863 amending 2011/65/EU)
	Protection	IP67, IK10

\*The tested results may vary due to environmental conditions and device differences.

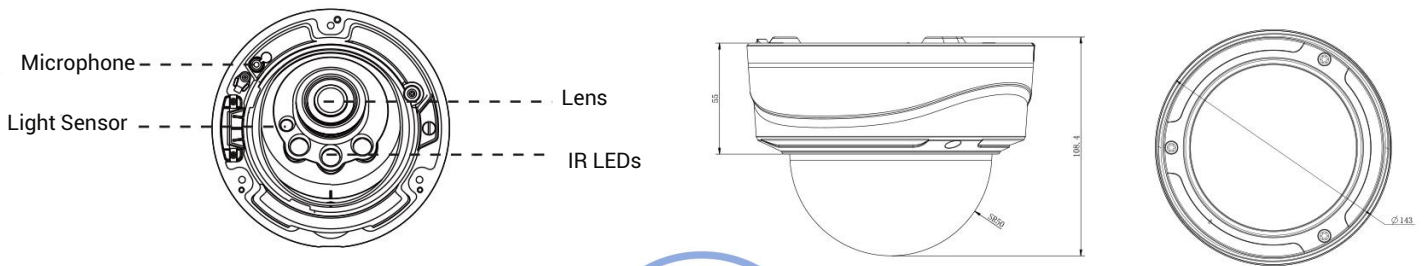
# Milesight OpenVision Pro Dome Camera



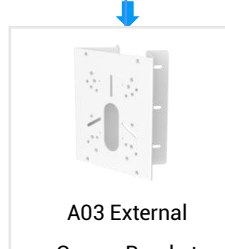
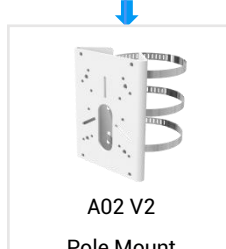
## Structure Diagrams



Note: The cable is connected with the interface board by default.



## Accessories Support



**Milesight** | [www.milesight.com](http://www.milesight.com)

Contact Us: [sales@milesight.com](mailto:sales@milesight.com) [support@milesight.com](mailto:support@milesight.com)

Add: Building C09, Software Park Phase III, Xiamen 361024, Fujian, China  
Tel: +86-592-5922772

