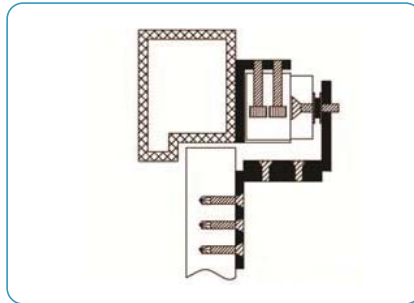
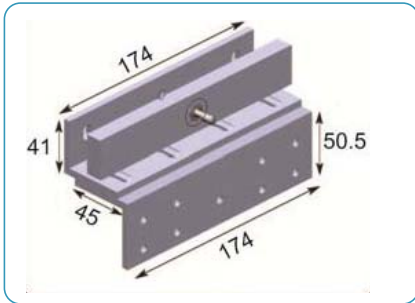


PRODUCT INFORMATION

MEM2400 SERIES ACCESSORIES

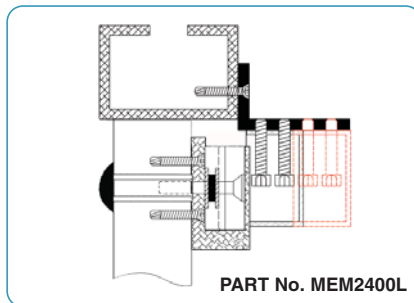
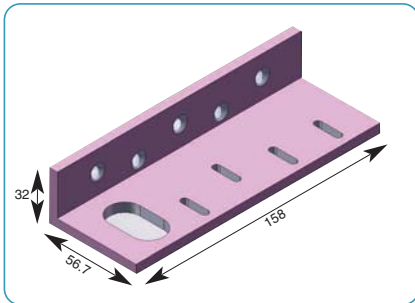
Adjustable L & Z Bracket for inward opening doors (L&Z Bracket part of MEM2400LED Kit)



PRODUCT DESCRIPTION

The MEM L&Z Bracket is designed to be used on inward opening doors and only with the MEM2400LED model. Due to the physical size of the light panel feature, the MEM2400LP model cannot be installed in this application. The L & Z Bracket comes as standard with the MEM2400LED.

Adjustable L-Bracket for narrow header door frame

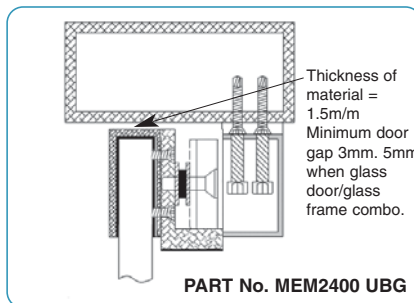
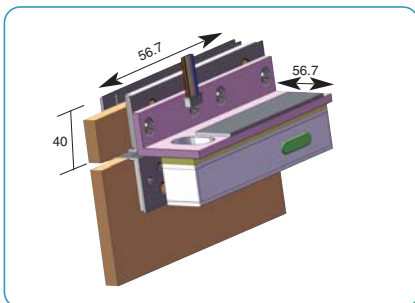


PART No. MEM2400L

PRODUCT DESCRIPTION

The Adjustable L-Bracket is used where there is not enough space to install the MEM device directly to the door frame header. The L-Bracket acts as an extension of the door frame. The Adjustable L-Bracket is also used in combination with the Glass-Door Bracket "U-Profile" when the lock has to be installed onto a frameless glass header.

Glass-Door-Bracket "U-profile"



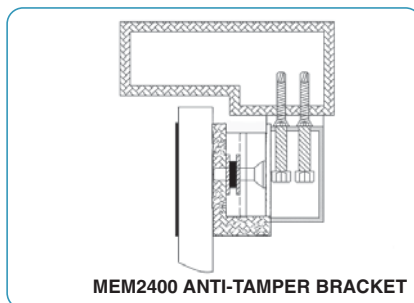
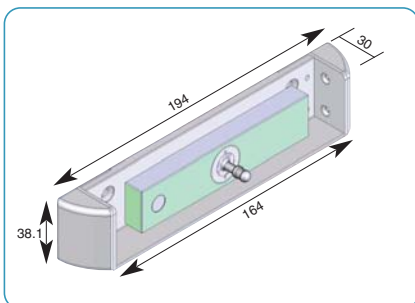
Thickness of material = 1.5m/m
Minimum door gap 3mm. 5mm when glass door/glass frame combo.

PART No. MEM2400 UBG

PRODUCT DESCRIPTION

The Glass-Door-Bracket U-Profile is used to clamp-on the MEM lock as well as the armature plate to either a frameless glass door or a frameless glass header. As mentioned above, the adjustable L-Bracket has to be ordered separately and can be used on frameless glass headers. The product No.MEM2400UBG has one unit in the box. Frameless glass door and frameless glass frame as one door element would require 2 units of MEM2400UBG as well as 1 unit Adjustable L-Bracket MEM2400L.

Glass-Door mounting "stick-on" with MEM2400 Anti-Tamper Bracket



MEM2400 ANTI-TAMPER BRACKET

PRODUCT DESCRIPTION

The MEM 2400 Anti-Tamper Bracket comes with the MEM 2400 lock as a standard fitting.

The bracket can be used for glass door "stick-on" mounting. We recommend 3M self adhesive tape (e.g. 4910VHB or equivalent) and FSH Dress Plate AMAB4-BC.