

TECHNICAL DATA SHEET

FES10 ELECTRIC DOOR STRIKE

Fire tested up to 4 hours to both A.S. and B.S. standards the FES10 “ANSI” small footprint electric door strike is a high quality robust device offering an economic security locking solution to hinged doors including fire rated doorsets. The device is “site” interchangeable power to lock (PTL) or power to release (PTR) by simply removing the end “springscrew” and reversing the locking “Barbell”[®] (no loose pins or springs). The FES10 is dual voltage 12/24vDC and is provided pre-drilled for extension lips. The device can be inter-phased with building management and access control systems to control access and egress to hinged doors including fire rated models.

FEATURES

- ◆ Stainless steel faceplate and keeper
- ◆ Easy installation
- ◆ Low power consumption and low temperature rise
- ◆ Continuous operation
- ◆ Compatible with door latch depth of up to 15mm
- ◆ Weather resistant
- ◆ Superior holding strength
- ◆ 5 year warranty
- ◆ 12 or 24vDC operation

SPECIFIERS STATEMENT

“The electric strike must be equal to the FSH model FES10 in all respects. It must accept voltages of either 12 or 24vDC, be fire tested to 4 hours to both Australian and British test standards, be weather resistant and site interchangeable. Power to lock (PTL) or power to release (PTR). The strike must be provided with a 5 year warranty.”



FES10[®]

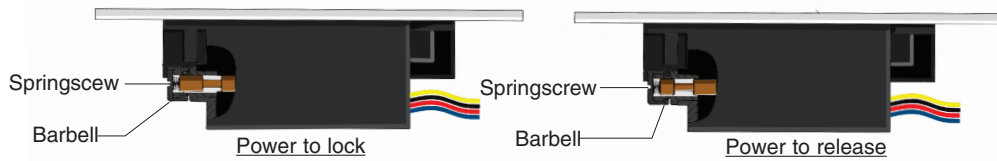
PART No.	FES10
FUNCTION	Mortise mount, power to lock/power to release site interchangeable. Input voltage: 12/24vDC
HOLDING FORCE	Up to 680kgs
VOLTAGE/CURRENT	Dual Voltage 12vDC/200mA 24vDC/100mA
APPROVALS	4 hour fire rated to A.S. and B.S. standards
MONITORING	Non monitored
SIZE	L= 125 x W= 42 x D= 35mm

EXTENSION LIPS	15mm Lip FES10 – EL15 25mm Lip FES10 – EL25 50mm Lip FES10 – EL50 75mm Lip FES10 – EL75
----------------	--



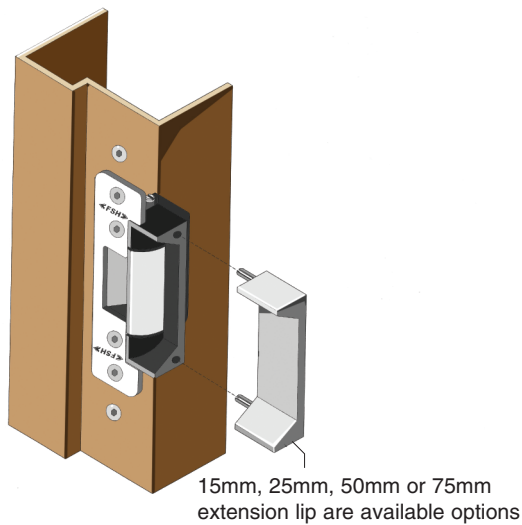
TECHNICAL DATA SHEET

FES10 ELECTRIC DOOR STRIKE

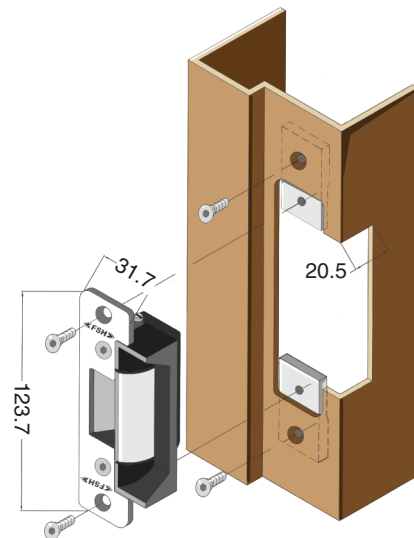


TO RECONFIGURE THE DOOR STRIKE PTL / PTR SIMPLY REMOVE THE SPRINGSREW AND REVERSE THE BARBELL AS SHOWN, REPLACE THE SPRINGSREW

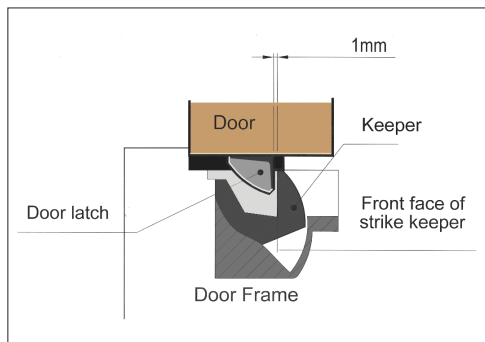
EXTENSION LIP DETAILS



METAL FRAME CUT OUT



MECHANICAL DOOR LOCK CONFIGURATION



CUT OUT DIMENSION

