

DS-KAD606

Video/Audio Distributor

DS-KAD606 is an integrated Video/Audio distributor supporting network cable power supply. It has a built-in voltage-stabilized power and eight 10/100M LAN interfaces, six of which support powering through network cables. It is suitable for internet connection of all-digital video intercom in residence communities.



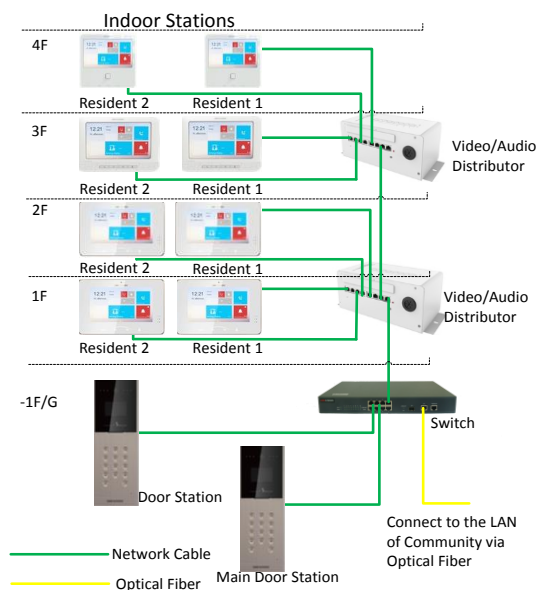
AVAILABLE MODELS

DS-KAD606

MAIN FEATURES

- Built-in 24V DC voltage-stabilized switching mode power supply
- Eight RJ45 interfaces, including six adaptive 10/100M LAN interfaces supporting network cable powering and two adaptive 10/100M cascading LAN interfaces
- IEEE802.3, IEEE802.3u, IEEE802.3x
- Storing and forwarding function
- VLAN technique
- Over 1000,000h mean time between failure
- Operating temperature range: from -30° C to 70° C
- Suitable for wall mounting

TYPICAL APPLICATION



SPECIFICATION

Model	DS-KAD606	
Parameters		
Network Parameters	Interface Number	Eight 10/100M Interfaces
	Interface Type	RJ45, Full/Half-Duplex, MDI/MDI-X Self-Adaptive
	Standard	IEEE802.3, IEEE802.3u, IEEE802.3x
	Processing Type	Storing and Forwarding
	Flow Control	IEEE802.3x(Full-Duplex), Back Pressure(Half-Duplex)
	Priority queue	Four
	MAC Address List	8K
	Internal Buffer	1 Mbit
Other Parameters	Power Supply	AC 220 V
	Power Dissipation	<3 W
	Operating Temperature	-30° C to 70° C (-22° F to 158° F)
	Operating Humidity	5 to 95%, No Condensation
	Size	275.2 mm (L) x 92 mm (W) x 102.2 mm (H)
	Certification	FCC, CE