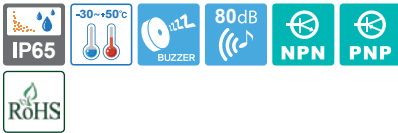


# QMCL series

## Multiple Color LED Steady Signal Lights



### • 7 Color modes available via wiring

You can configure seven color signals by combining the 4 signal wires (red, green, blue, black) attached to the warning light.

### Multi-Color Warning Light with Seven Color Options

#### • Emits a cozy and comfortable hue

QMCL series signal lights have a milky translucent hue when turned on. These signal lights provide a comfortable and stable viewing condition for workers in close proximity.



#### Common Specifications(QMCL60/ QMCL80/ QMCL100/ QMCL125)

- Helps reduce the costs of installation by reducing the space needed to emit seven color signals in a single warning light
- Milky translucent color when off, the soft LED illuminates designated colors when on
- Built-in buzzer available (Volume : Max 80dB at 1m)
- Materials : Lens-AS, Body-ABS
- Ambient operating temperature : -30°C to +50°C
- Protection rating : IP65
- Certificates : CE Compliant
- Complaint with RoHS directive



QMCL60



QMCL80

#### QMCL60 Ø60mm Multiple Color LED Steady/ Flashing Signal Light

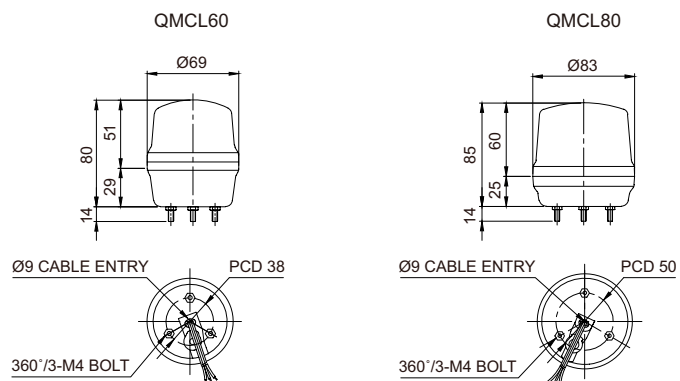
Model number	Voltage	Current	Certificates	Weight	Color
QMCL60	DC12V	0.120A	CE	0.12kg	7 Colors
	DC24V	0.060A		0.12kg	

#### QMCL80 Ø80mm Multiple Color LED Steady/ Flashing Signal Light

Model number	Voltage	Current	Certificates	Weight	Color
QMCL80	DC12V	0.120A	CE	0.17kg	7 Colors
	DC24V	0.060A		0.17kg	

#### Technical Diagram

(Units : mm)



	Voltage	AC/DC12V	AC/DC24V
QMCL60	Signal Line	0.120A	0.060A
QMCL80	Power Consumption		
QMCL60	Buzzer Line	0.020A	0.020A
QMCL80	Power Consumption		
QMCL100	Signal Line	0.240A	0.120A
QMCL125	Power Consumption		
QMCL100	Buzzer Line	0.020A	0.020A
QMCL125	Power Consumption		



# QMCL series

## Multiple Color LED Steady Signal Lights



**New innovative LED signal light that can be configure with 7 colors in 1 signal lamp**



**QMCL100**



**QMCL125**

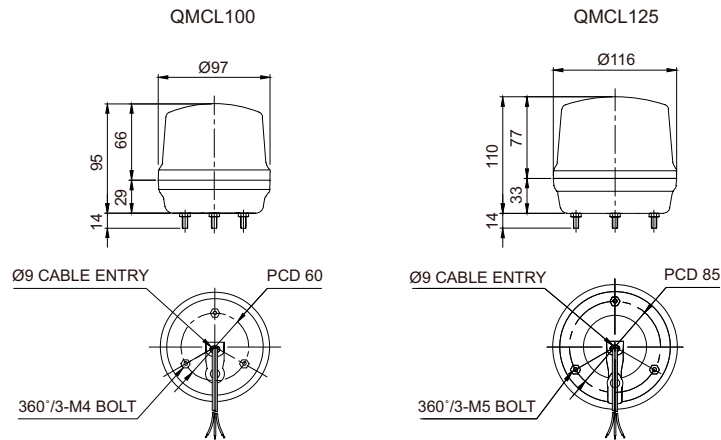
### **QMCL100** Ø100mm Multiple Colors LED Steady LED Signal Light

Model number	Voltage	Current	Certificates	Weight	Color
QMCL100	DC12V	0.240A		0.24kg	7 Colors
	DC24V	0.120A		0.24kg	

### **QMCL125** Ø125mm Multiple Colors LED Steady LED Signal Light

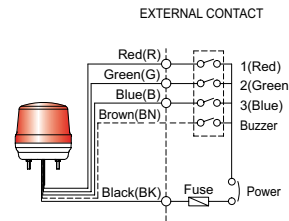
Model number	Voltage	Current	Certificates	Weight	Color
QMCL125	DC12V	0.240A		0.31kg	7 Colors
	DC24V	0.120A		0.31kg	

### **Technical Diagram** (Units : mm)



### **Wiring Instructions**

QMCL60/ QMCL80/ QMCL100/ QMCL125-DC



No.	Color	Wiring
1	Red	1(Red)
2	Green	2(Green)
3	Blue	3(Blue)
4	Amber	1(Red)+2(Green)
5	Cyan	2(Green)+3(Blue)
6	Purple	1(Red)+3(Blue)
7	White	1(Red)+2(Green)+3(Blue)

### **Wiring Instructions**

- External signal line standard : Signal line 4P(R,G,B,K) threading, signal line standard UL1007 AWG22(0.3sq) 400mm
- Product can be wired regardless of polarity
- Please refer to Wiring Instructions diagram to properly configure color options

### **Ordering Specification**

QMCL80	BZ	24
[Model number]	[Buzzer option]	[Voltage]
• QMCL60	• None	• 12-DC12V
• QMCL80	• No buzzer	• 24-DC24V
• QMCL100	• BZ	
• QMCL125	• Built-in buzzer	

### **Accessories**

- Wall mounting bracket options : Bracket structure allows for threading through the bracket hole or into the wall mount

- QMCL60/ QMCL80



- QMCL100/ QMCL125

