

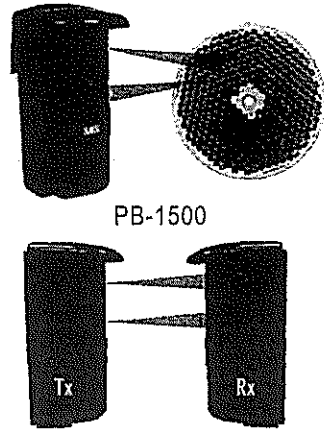
"LONG RANGE" Retro-Reflective & Through Beam Photocell

Features:

- LONG RANGE PHOTOCELL
- Retro-reflective & Through beamtype
- Infrared LED element
- IP-66 waterproof/cable gland
- PC upper casing, anti fog/dew/rains
- Round shape reflector-Dia.: 82.1mm
- Input volt.: AC/DC 12~250V
- Twin colored led indicator for beamalignment
- Tamper switchesincluded

Application:

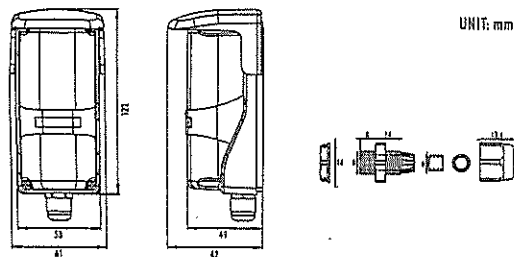
- Gateopener
- Overhead door
- Swing gate
- Sliding door
- Perimeter protection
- Window
- Terrace
- Warehouse
- Parking lot



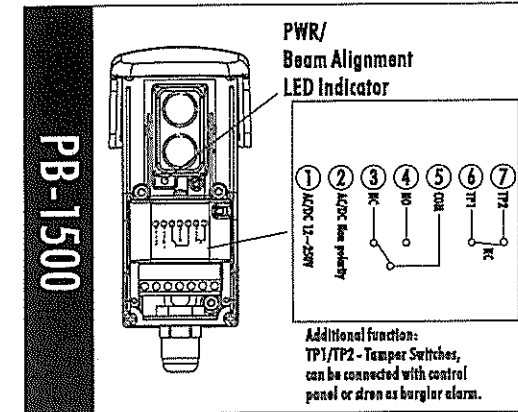
Specifications:

| Model No. | PB-1500 | PB-3000 |
|---------------------------|--|--------------------------|
| Type | Retro-Reflective | Through Beam(Twin Beams) |
| Input Volt. | AC/DC 12~250V (Non Polarity) | |
| Tx LED Element | Infrared LED/Wave length 940 nm | |
| Beam Spreading angle | 5° | |
| Contact Capacity | 0.5A/120VAC (1A/30VDC) | |
| Response Time | 10 msec | |
| Delay Time of Relay | 100 msec | |
| Sensing Range | 15 meters | 30 meters |
| LED Indicators | Red LED Off: Beam aligned / Red LED On: Beam broken Red LED flash: Beam alignment signal weak (Re-align) Green LED on: Beam aligned proper | |
| Additional Function | Tamper switches | |
| Wiring Connection | Terminal block / Cable gland (IP-66) | |
| Housing Material | PC | |
| IP | IP-66 | |
| Environment/Storage Temp. | -25°C ~60 °C / -35°C ~80 °C | |
| Dimension | 122 (L) × 61 (W) × 62 (D) mm | |

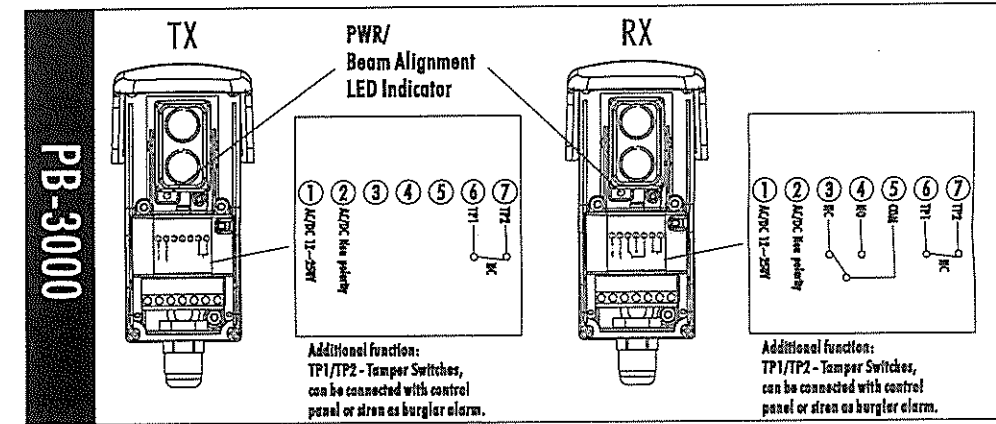
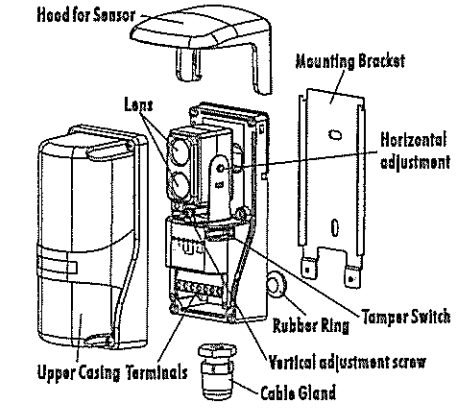
Dimensions:



Wiring Connection:

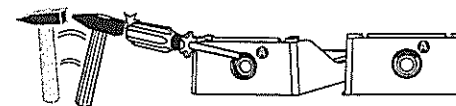


Parts Account:



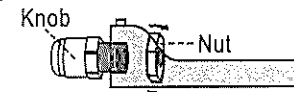
Break down the cable gland cover:

① Break down & remove plastic pack (A)



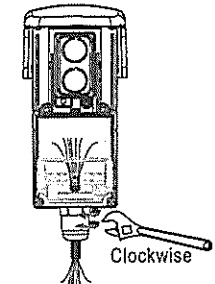
1. Please use screwdriver & hammer to break down the cable gland cover by the outer circle upper edge (A). Then insert the cable gland into the (A) empty hole.

② Install the cable gland



2. Then screw the knob with the nut till them fixed.

③ Finish the wiring connection:



- Insert the cable wires into the cable gland.
- Connect the lead wires to the proper position of terminal block.
- Use spanner to tight the cable gland clockwise to the end (the most tightness).