

# DATAMASTER

## CAT6A RJ45 WATERPROOF COUPLER P2328



### FEATURES

- Cat6a RJ45 Waterproof Inline Coupler used to join two Cat6a cables together easily.
- Simple assembly to implement connector into existing cabling system.



### ELECTRICAL

<b>Voltage Rating</b>	125 VAC RMS
<b>Current Rating</b>	1.5 AMP
<b>Contact Resistance</b>	100Milli $\Omega$ Max
<b>Insulation Resistance</b>	1000Meg $\Omega$ Min @500 VDC
<b>Dielectric Strength</b>	750 VAC RMS 60Hz 1MIN

### TOLERANCE

<b>0.00-20.00</b>	$\pm 0.10$
<b>20.00-50.00</b>	$\pm 0.15$
<b>50.00-100.00</b>	$\pm 0.20$
<b>100.00</b>	$\pm 0.25$
<b>ANGLE</b>	$\pm 0.30$

### MECHANICAL

<b>Housing Material</b>	PA66
<b>Insert Material</b>	Flame Retardant
<b>PCB Material</b>	FR - 4 T = 1.6mm
<b>RJ45 Jack Contact</b>	Phosphor Bronze with Nickel Plating gold plated (50U)
<b>RJ45 Jack Life</b>	750 x Insertion Cycle
<b>Waterproof Grade</b>	IP68

### ENVIRONMENTAL

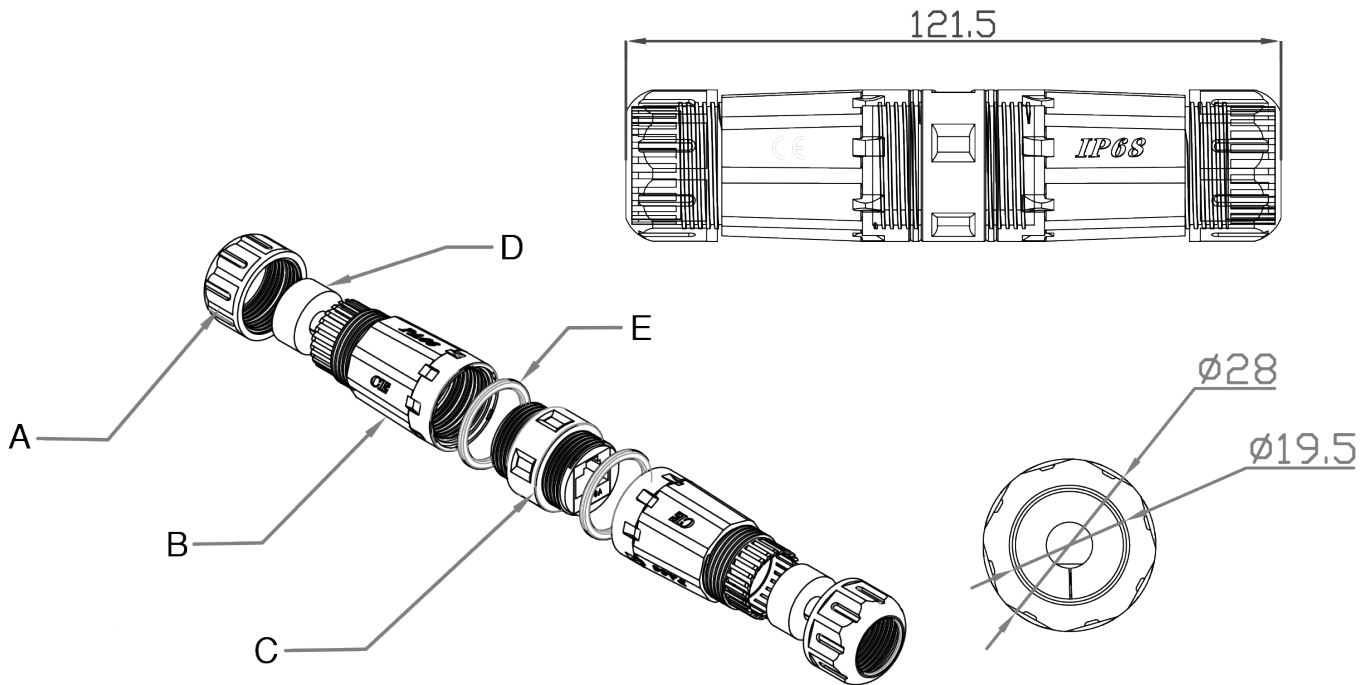
<b>Storage</b>	-40°C to +85°C
<b>Operation</b>	0° to 70°

# DATAMASTER

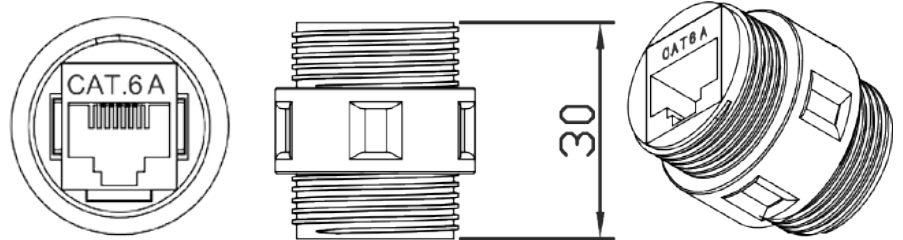
## CAT6A RJ45 WATERPROOF COUPLER P2328



### DESIGN & CONSTRUCTION



ITEM	DESCRIPTION
A	Tail Cover
B	Long Middle Cover
C	Network Subject
D	Rubber Ring
E	Silicone Ring



### REGULATORY COMPLIANCE

