

# NXT Series Proximity Readers

DATA SHEET



**Now** with the ability to read HID 125 KHz credentials!

- Sleek Attractive Packages with Ultra Thin Profile
- Supervised by Controller for Immediate Notification of Failure
- Better Read Range Performance than Competing Products of Similar Size
- Encrypted Data Between Reader and Card or Tag
- Reduce Reader Cabling Costs by using Shielded CAT-5
- 1,000' (300 Meters) Wiring Distance from Controller
- **Exit/Egress readers carry an "E" suffix and are ordered separately**



**NXT-1R**



**NXT-3R**



**NXT-5R**

Keri's **NXT Series Proximity Readers** are designed to blend aesthetics, read range performance, and small package size with an extremely thin profile into a product that is priced significantly less than competing proximity readers. The readers are for use exclusively with Keri's revolutionary access control system based on the NXT Series of IP-based Controllers. Encrypting identification data between the card and reader and supervising the reader from the controller to check for failure provides the most secure reader solution available. With an allowable cabling distance of 1,000 feet (300 m) from the controller the NXT Series of Readers dramatically reduce cabling costs when compared to traditional 6- or 7-conductor reader interfaces. The readers are compatible with all NXT Series Cards and Tags, with the ability to be firmware flashed to read HID 125 KHz credentials.

The **NXT-1R Euro Mount Prox Reader** offers the best combination of size and read range available. Able to mount directly on a wall or to a European switch box, it offers a size and profile not found in many other proximity readers.

The **NXT-3R Mullion Reader**, designed for mounting on metal window doorframes/mullions, is one of the smallest proximity readers on the market yet offers exceptional read range.

The **NXT-5R Wall Switch Reader** can be mounted on a US single gang electrical box or flat on a wall. Read range is up to 6" (15 cm) when mounted at least 1" (2.5 cm) off metal. Read range will be slightly reduced if the reader is mounted using a metal electrical junction box with only the thickness of the wall material separating the reader from the box.



2305 Bering Drive • San Jose, California 95131  
408-435-8400 • Toll Free: 800-260-5265 • Fax: 408-577-1792

email: [sales@kerisys.com](mailto:sales@kerisys.com) • web: [www.kerisys.com](http://www.kerisys.com)

# NXT Series Proximity Readers

DATA SHEET, Page 2 of 2



## Specifications:

### Size:

**NXT-3R**  
3.75" H x 1.6" W x 0.625" D  
(9.5 cm x 4.1 cm x 1.6 cm)

**NXT-5R**  
4.18" H x 2.95" W x 0.625" D  
(10.6 cm x 7.5 cm x 1.6 cm)

**NXT-1R**  
3.25" H x 3.25" W x 0.625" D  
(8.3 cm x 8.3 cm x 1.6 cm)

### Read Range:<sup>a</sup>

NXT-3R up to 4 inches (10 cm)  
NXT-5R up to 6 inches (15.24 cm)  
NXT-1R up to 5 inches (12.7 cm)

### Weight:

NXT-3R 2.6 oz. (74 g)  
NXT-5R 3.5 oz. (99 g)  
NXT-1R 3.1 oz. (88 g)

### Input Power:<sup>b</sup>

NXT-3R 10 -14 VDC @ 85 mA typical  
NXT-5R 10 -14 VDC @ 85 mA typical  
NXT-1R 10 -14 VDC @ 85 mA typical

### Operating Temperature:

-40° F to 149° F  
(-40° C to 65° C)

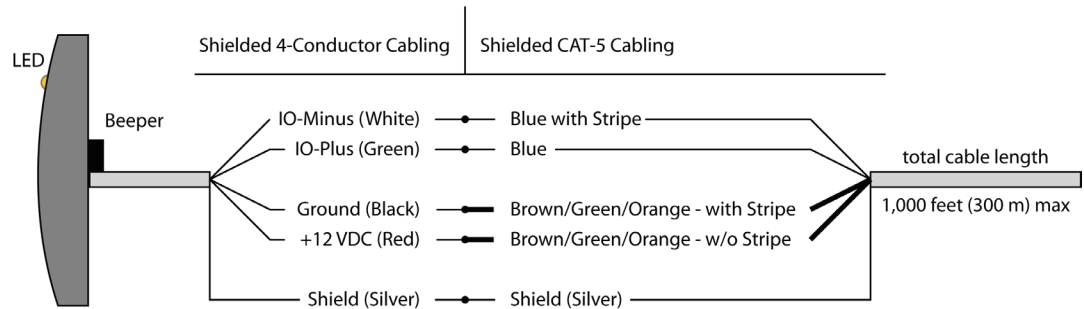
### LED Indicator:

Tri-Color Standard  
(Red, Green, Amber, Off)

### Audio Tone:

Standard

## NXT-1R/-3R/-5R Installation Drawing 4-Conductor - OR - CAT-5 Cabling



### Reader Interface:<sup>c</sup>

RS-485, 4 conductor, shielded  
or CAT-5, shielded

### Color:

Black

### Warranty:

Lifetime Warranty against defects  
in materials and workmanship

- Read range is stated in a clean RF and electrical environment using NXT-C cards presented parallel to the reader surface with the reader operating at 12 VDC. Read range may be affected by local installation conditions. Read range will be less when mounted on metal.
- The use of a linear power supply is always recommended.
- Readers may be ordered as "In" or "Out" readers. In/Out Reader operation requires the controller to have the Mercury Powered option. Add an "E" suffix to the model number when ordering an "Out" Reader.

## ORDERING INFORMATION:

Part Number	Description
NXT-1R	EuroMount NXT Proximity Reader for NXT Controllers, access/entry version
NXT-1RE	EuroMount NXT Proximity Reader, exit/egress version
NXT-3R	Mullion Mount NXT Proximity Reader for NXT Controllers, access/entry version
NXT-3RE	Mullion Mount NXT Proximity Reader for NXT Controllers, exit/egress version
NXT-5R	Wall Mount NXT Proximity Reader for NXT Controllers, access/entry version
NXT-5RE	Wall Mount NXT Proximity Reader for NXT Controllers, exit/egress version
NXT-6RK	NXT Proximity Reader and Keypad for NXT Controllers



Presented By: