

DS-KIS602 Video Intercom Bundle



Key Feature

Indoor Station

- UI V2.0: User friendly design
- 7-inch colorful touch screen with resolution 1024 × 600
- Standard PoE
- Stores messages and captured pictures in the TF card
- Remote unlocking via the client software or the mobile client
- Views live videos of door stations and linked cameras
- Supports wireless network

Door Station

- 2 MP HD video intercom function
- Access control function
- Noise suppression and echo cancellation
- H.264 video compression
- Low illumination
- Tampering alarm
- Fisheye camera with IR supplement light
- Supports sub-modules' access (max. 8)
- Nametag customization
- Easy to and extend



Specifications

Indoor Station

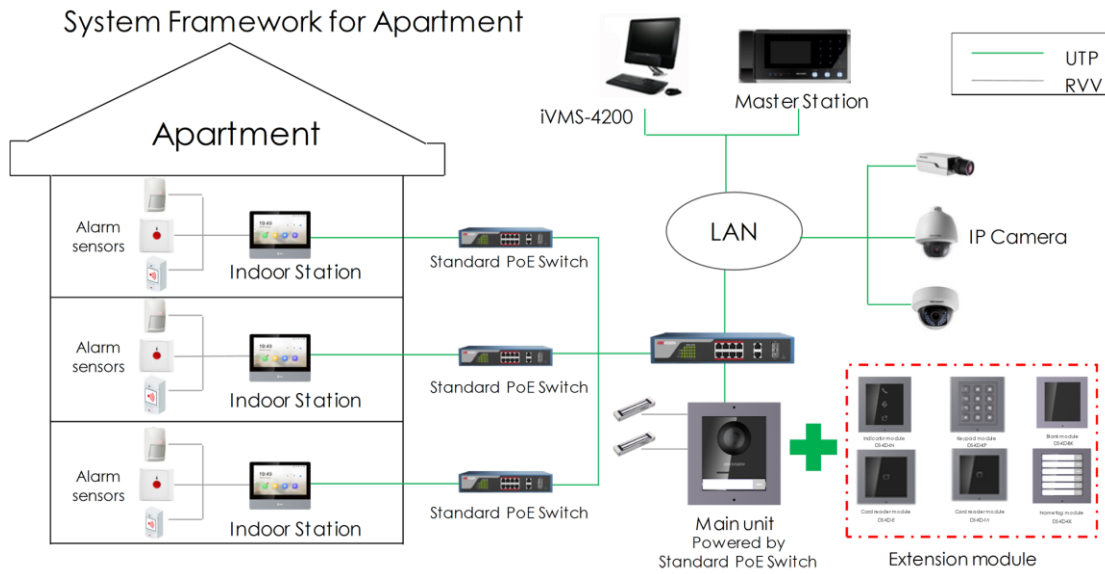
Model		DS-KH6320-WTE1
System	Memory	128 MB
	Flash	32 MB
	Operation system	Embedded Linux operation system
Display	Display screen	7-inch colorful TFT LCD
	Display resolution	1024 × 600
	Operation method	Capacitive touch screen
Audio	Audio input	Built-in omnidirectional microphone
	Audio output	Built-in loudspeaker
	Audio compression standard	G.711 U
	Audio compression rate	64 Kbps
Network	Audio quality	Noise suppression and echo cancellation
	Wired network	10/100 Mbps self-adaptive network
	Wireless network	Wi-Fi 802.11b/g/n
	Network protocol	TCP/IP、SIP、RTSP
	Network interface	1 RJ-45 10/100 Mbps self-adaptive
	Alarm input	8-ch alarm inputs
	Relay output	2
	TF card	Max to 32 G, SD 2.0 or lower version
	RS-485	1
	General	Power supply
Power consumption		≤ 6 W
Working temperature		-10 °C to 55 °C (14 °F to 131 °F)
Working humidity		10% to 90%
Dimensions (W × H × D)		200 mm × 140 mm × 15.1 mm (7.9" × 5.5" × 0.6")

Door Station

Model		DS-KD8003-IME1
System parameters	Processor	Embedded MCU Processor
	Operation system	Embedded Linux operation system
	Operation method	Physical button
	Video compression standard	H.264
Video parameters	Resolution	Main Stream: 1920 × 1080 Sub Stream: 720 × 480
	BLC	Supported
	DNR	Supported

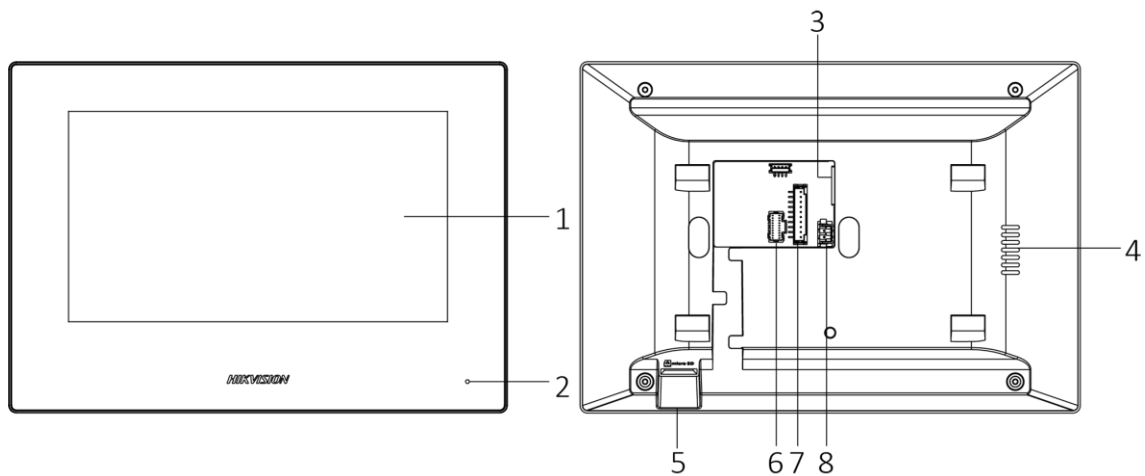
Audio parameters	WDR	Supported
	Anti-flicker	50 Hz, 60 Hz
	Field of view	Horizontal : 180° Vertical : 96°
	Audio input	Built-in omnidirectional microphone
	Audio output	Built-in omnidirectional (more than 85 dB within 20 cm)
	Audio compression standard	G.711 U
	Audio compression rate	64 Kbps
	Audio quality	Noise suppression and echo cancellation
Light supplement	Light supplement mode	IR supplement
Network parameters	Ethernet	10/100 Mbps self-adaptive Ethernet
	Network protocol	TCP/IP, RTSP
Alarm parameters	Tampering alarm	1
	Module-connecting	1
Interfaces	I/O input	4
	Debug	1
	Relay	2 (30 V, 1 A)
	Physical button	1
	Power supply	12 VDC/PoE (IEEE 802.3af)
General	Power consumption	≤10 W
	Working temperature	- 40 °C to 60 °C (- 40 °F to 140 °F)
	Working humidity	10% to 95%
	IP protection level	IP65
	Installation	Flush mounting, surface mounting
	Dimensions (W × H × D)	98 mm × 99.8 mm × 43.9 mm (3.86" × 3.93" × 1.73")

Typical Application



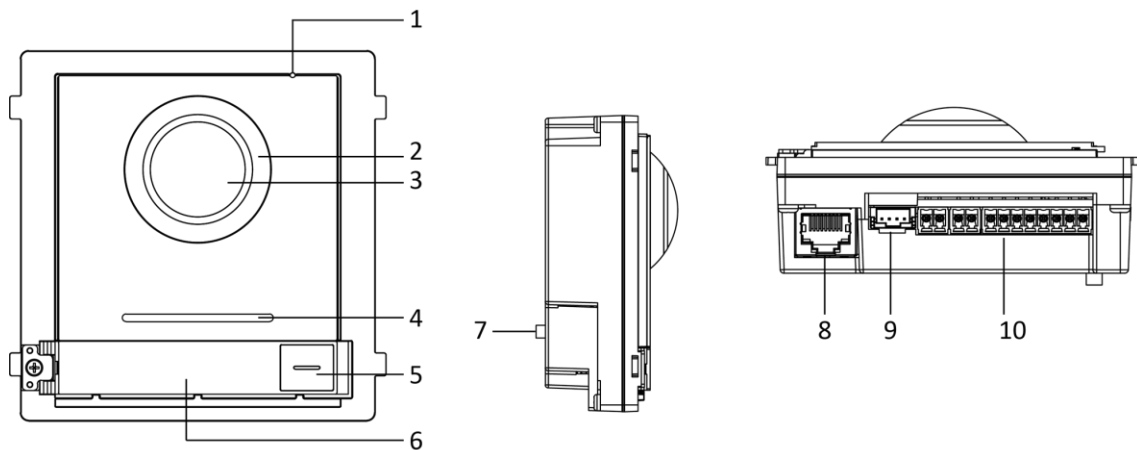
Physical Interface

Indoor Station



No.	Description	No.	Description
1	Screen	5	TF Card Slot
2	Microphone	6	Alarm Terminal
3	Network Interface	7	Reserved
4	Loudspeaker	8	Power Terminal

Door Station



No.	Description	No.	Description
1	Microphone	6	Nametag
2	Low Illumination IR Supplement Light	7	TAMPER
3	Built-in Camera	8	Network Interface
4	Loudspeaker	9	Module-connecting Interface (output)
5	Call Button	10	Terminals

Available Model

DS-KIS602



HIKVISION

Distributed by:



www.netdigital.com.au