



# DH502S

## Electromagnetic Door Holder WALL MOUNT

### ▼ FEATURES

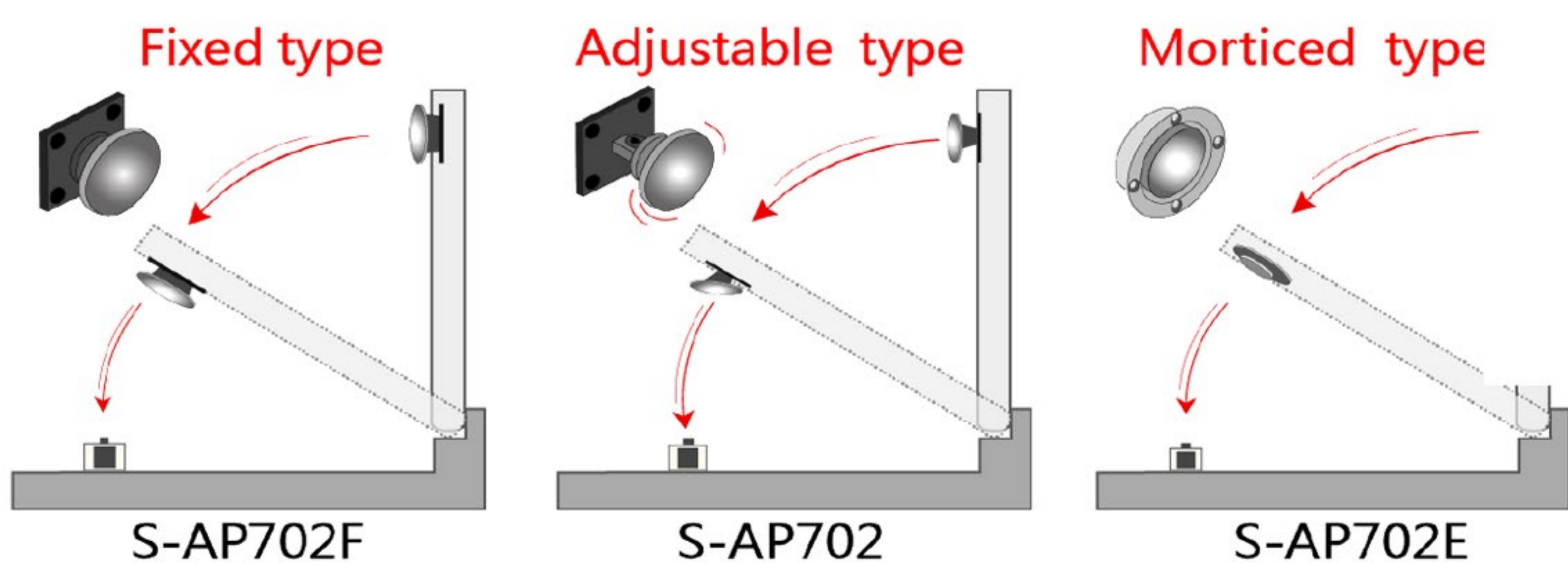
- Suitable for fire escape doors in large-scale buildings.
- it releases the armature plate to allow the door closer to close the door when a fire alarm or emergency is detected, to keep smoke in a limited area.
- With Release Switch : to release the door for other purposes (e.g. function test)
- Adjustable, fixed, extended, or morticed armature plate

### ▼ SPECIFICATION

- Holding Force : 50kg
- Built-in voltage spike suppressor
- Sensor : optional
- Voltage : 12 / 24VDC (Selectable)
- Current Draw : 100mA / 12VDC , 50mA / 24VDC

### ▼ ARMATURE PLATE INSTALLATION

- Adjustable Armature Plate (default): applicable for environments with angle differences between the door and the wall



DH502



**S-AP702**  
60L\*60W\*  
55.5H mm  
(default)



**S-AP702E**  
outer dia:Ø92mm  
inner dia:Ø63.3mm\*  
24~28.7Hmm

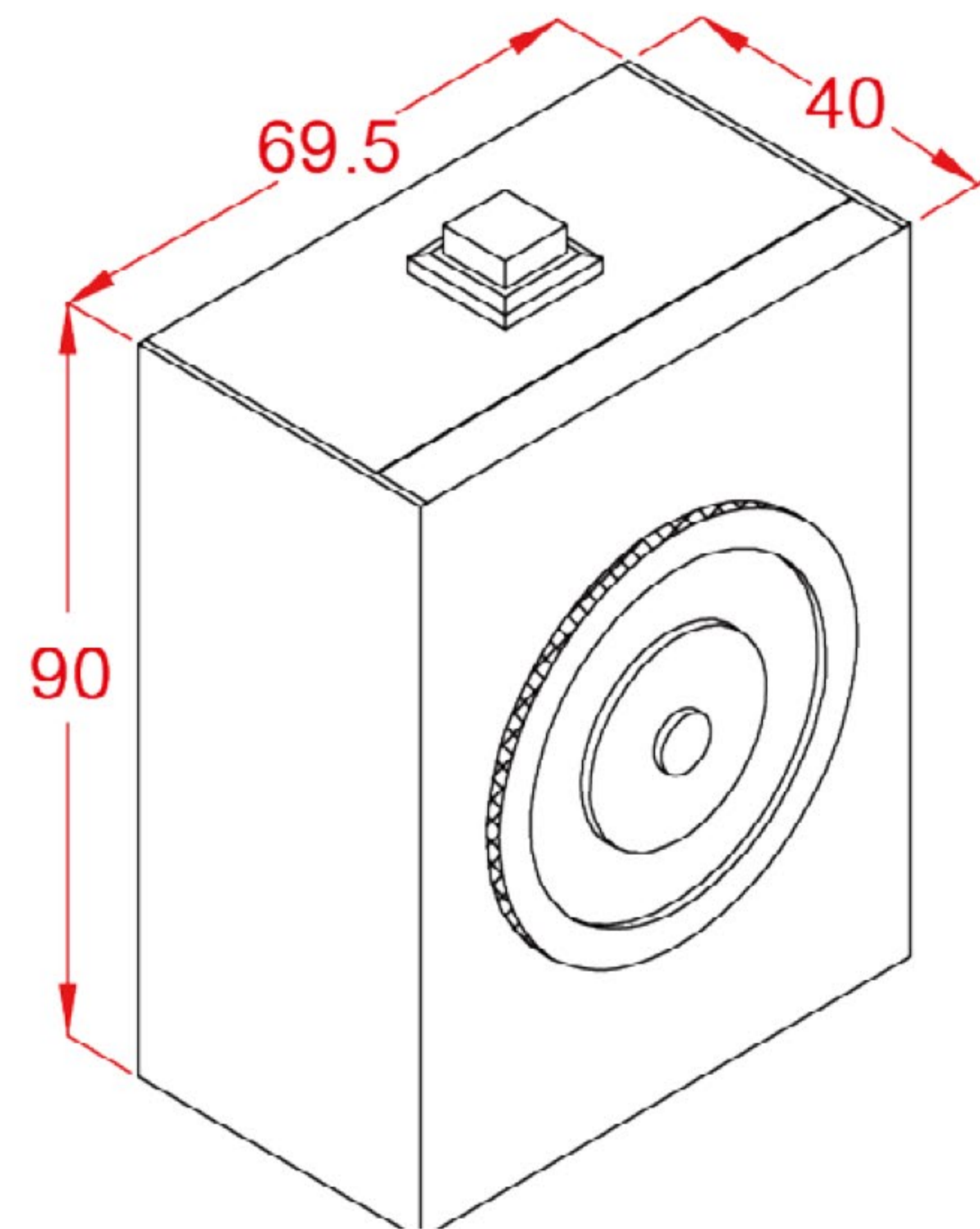


**S-AP702F**  
60L\*60W\*24H mm



**S-AP702G**  
60L\*60W\*  
93.6~102.6H mm  
(height adjustable)

- DH502 : 90L\*69.5W\*40H mm



### ▼ APPLICATION

