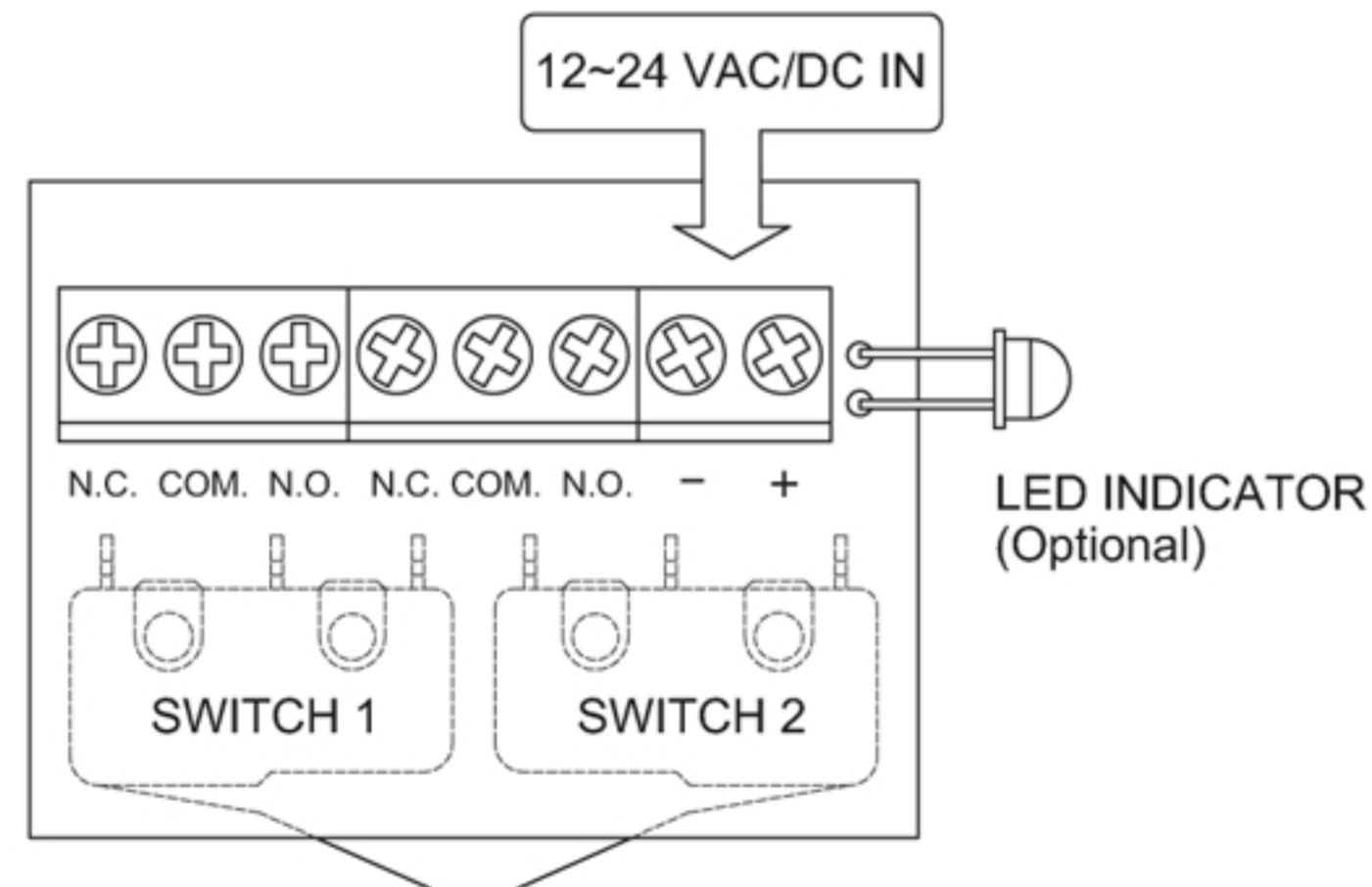
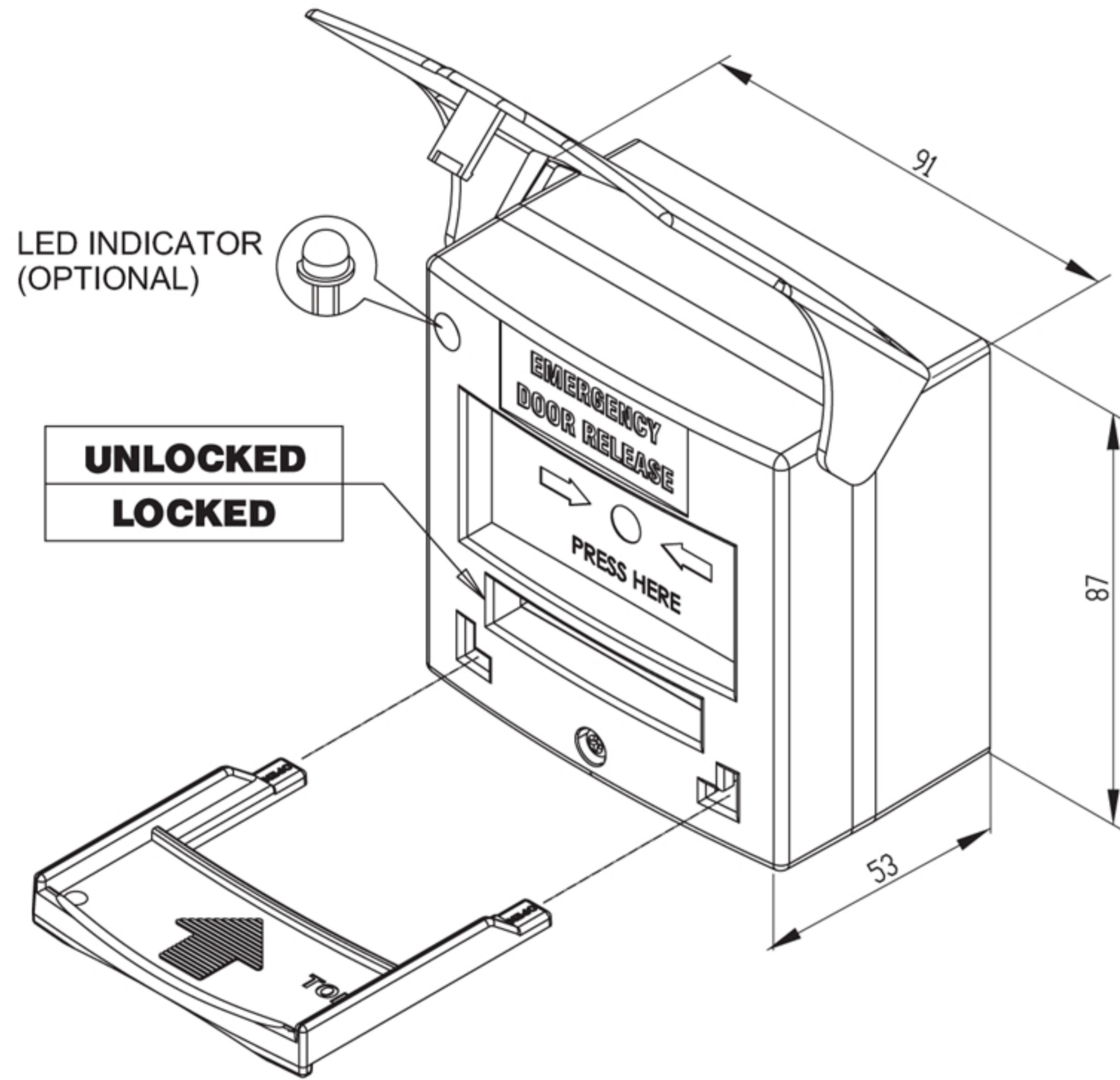


# CP-32G SERIES RESETTABLE SWITCH CALL POINT

## Specifications

Dimensions: 87x91x53 mm  
 Contact Resistance: 100mΩ  
 Switch rated: 5A 125/250 VAC



## Application: (CP-32\_LED Series)

