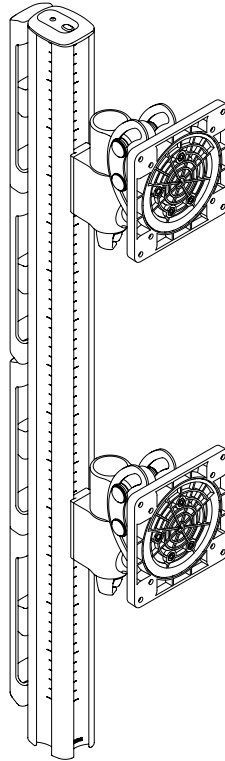


Dual Vertical Heavy Duty Mount



FEATURES

- Heavy duty dual vertical mounting solution to suit most displays up to 32" (16:9 aspect ratio), 40" (21:9 aspect ratio) and 49" (32:9 aspect ratio).
- Display quick connect mechanism.
- Integrated 180° rotation limiter to prevent interference with walls and workstation dividers.
- Adjustable portrait-to-landscape rotation tension.
- Generous cable management guides cables discreetly down the arm to the work surface.

Display weight*

Flat display

0-18kg (0 - 40lb)

Curved display

0-12kg (0 - 26.5lb)

Display depth

210mm (8.3")

Display size

Up to 49"†

Tilt adjustment

+35° / -30°

Rotation adjustment

+/-95°

Pan adjustment

+/-95°

VESA mounting

75x75 100x100

Primary materials

Aluminium, Steel,
Engineering Polymers

* Deep devices (such as all-in-one PCs), VESA mounted accessories (such as mini PC mounts), and offset VESA locations exert additional leverage that can exceed the capacity of the mount even though the device weight may be within the stated range.

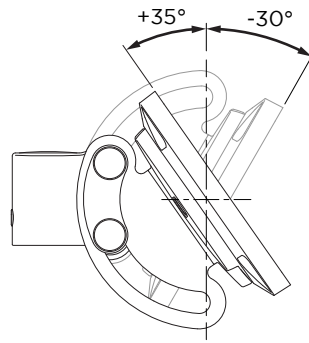
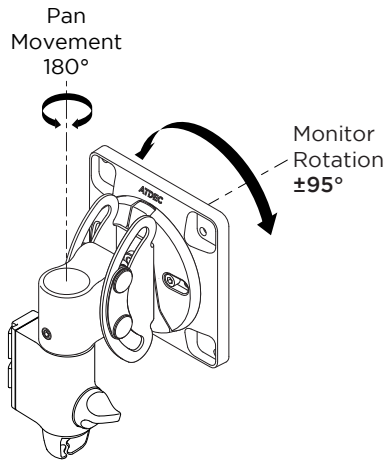
†A display must meet each of the weight, depth and size specifications to be compatible.

Please contact Atdec if you would like further information.

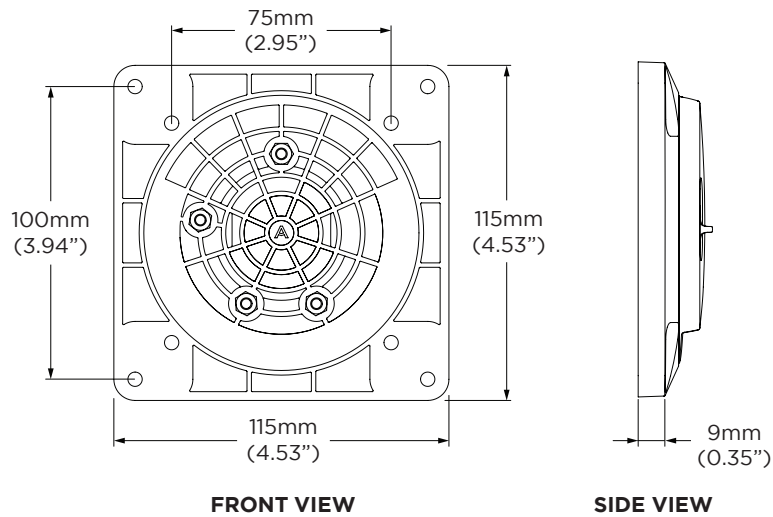
WARRANTY

10 years limited

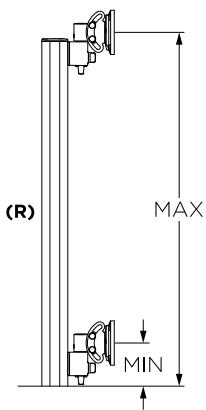
MOVEMENT



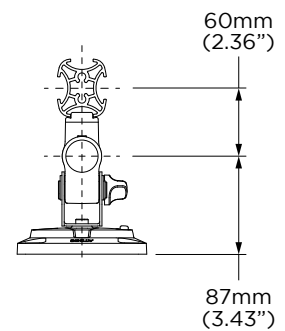
DIMENSIONS VESA HEAD



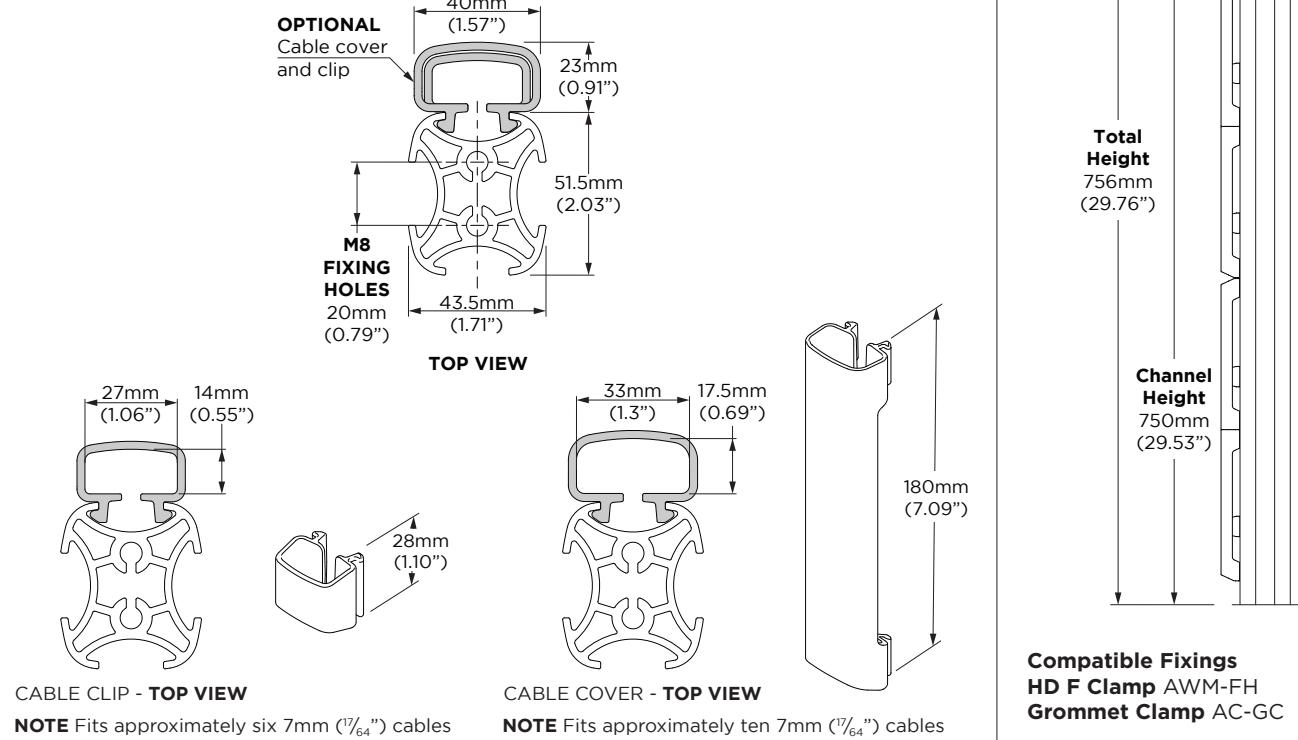
DIMENSIONS HEAVY DUTY VESA TILT HEAD ON 750 POST



HEIGHT ON 750 POST	MIN	MAX	RANGE (R)
	107mm (4.21")	772mm (30.39")	665mm (26.18")



DIMENSIONS POSTS

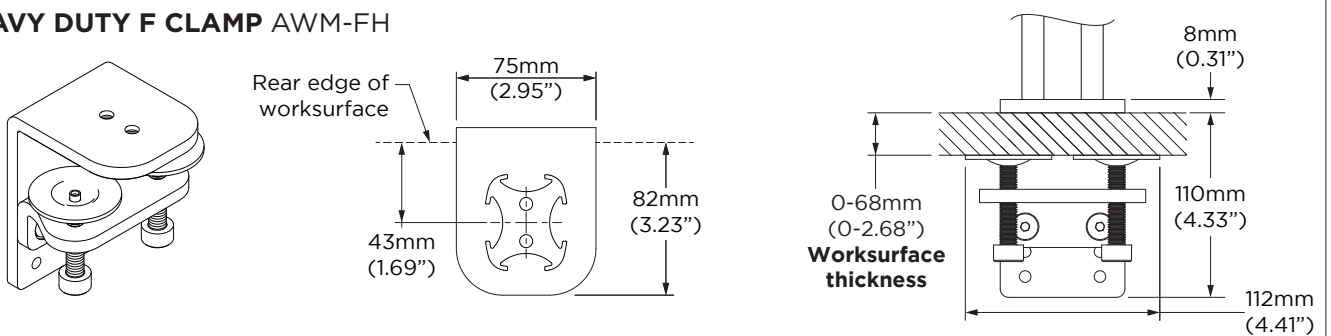


DESK FIXING OPTIONS

Below are the fixing options available for this solution. For more information and detailed specifications for these products please see the separate Technical Specifications available on the Atdec website.

NOTE: Chosen desk fixing must be added to this solution code when ordering.

HEAVY DUTY F CLAMP AWM-FH



GROMMET CLAMP AC-GC

