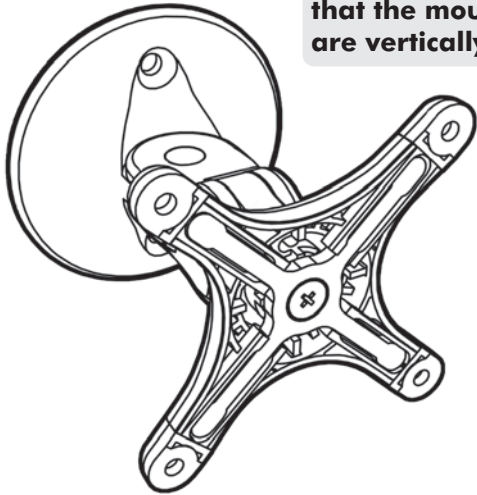


# Installation Instructions

## Component Checklist

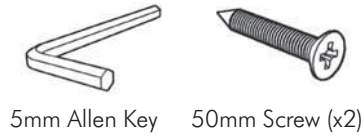
**IMPORTANT:** Ensure you have received all parts against the component checklist prior to installing.

### Wall Direct Assembly



**NOTE:** When attaching the base to the wall, ensure that the mounting holes are vertically aligned.

### Bits Bag



### Mounting Fasteners



**Visidec Focus Wall Direct supports a maximum weight of 8kgs (17.5lbs)**

### TOOLS REQUIRED:

- Power Drill
- 5.5mm (1/4") Drill Bit
- 8mm (5/16") Drill Bit
- Phillips Head Screwdriver

**NOTE:** This product is designed to support a flat panel monitor in a noninteractive environment. i.e. It should not be used in a situation where the display's position will be frequently changed.

## A Disassemble

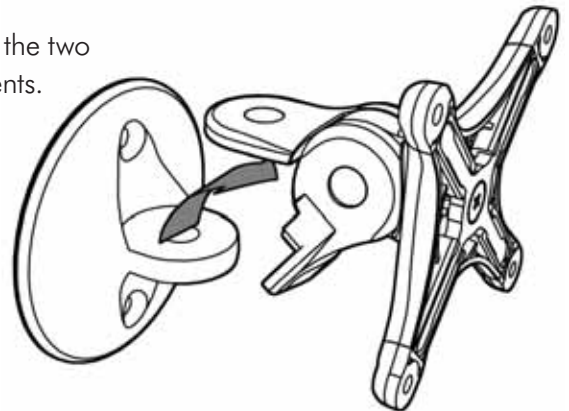
### Step 1

Using the supplied Allen Key, remove the bottom screw.



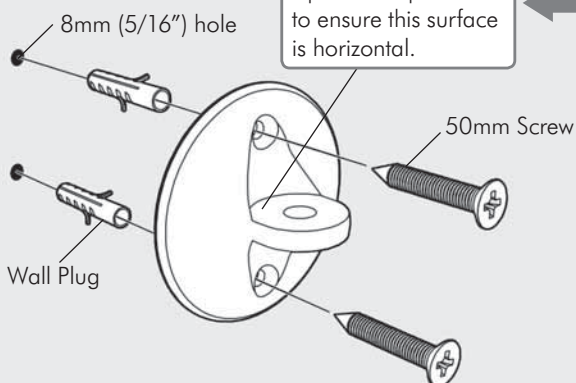
### Step 2

Separate the two components.



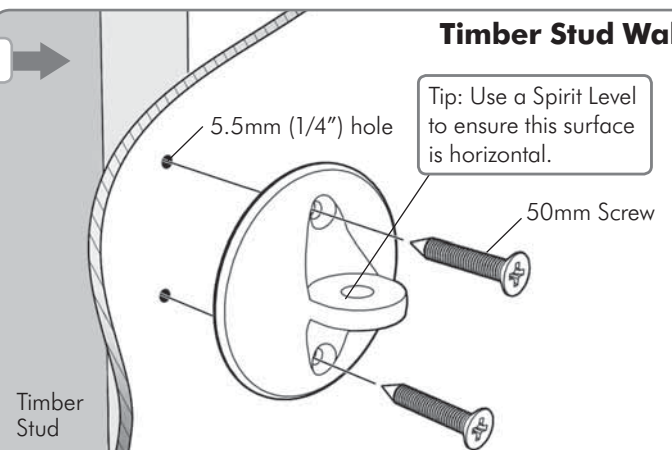
## B Attach Base to Wall

### Masonry Wall

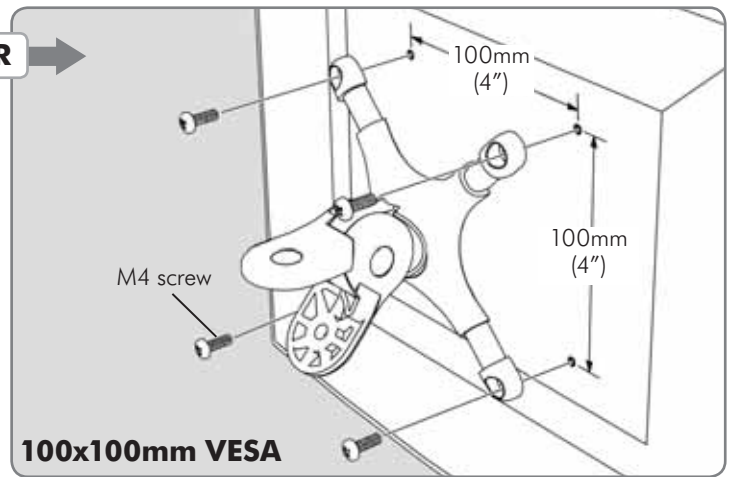
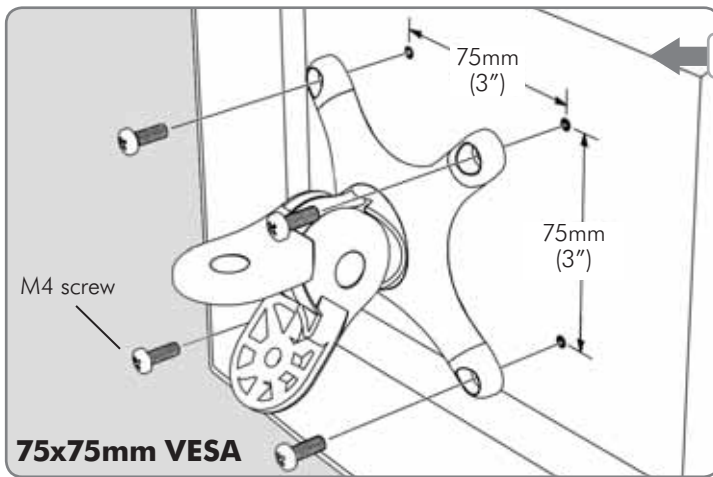


OR

### Timber Stud Wall



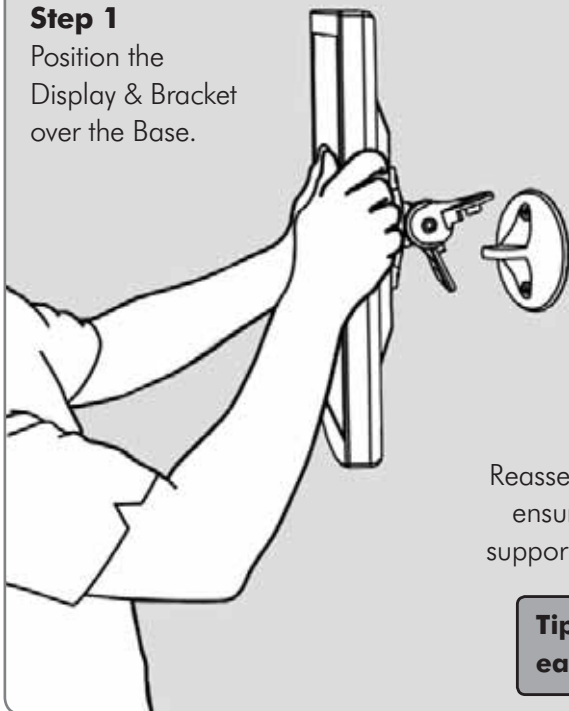
### C Attach Head to Display



### D Attach Display to Wall

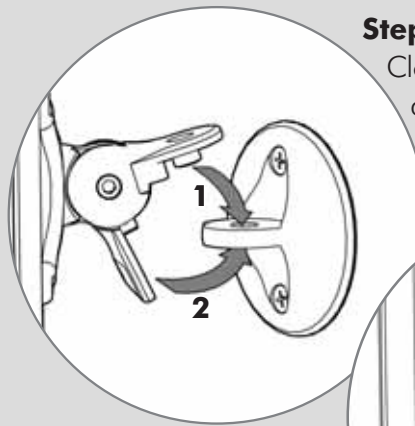
#### Step 1

Position the Display & Bracket over the Base.



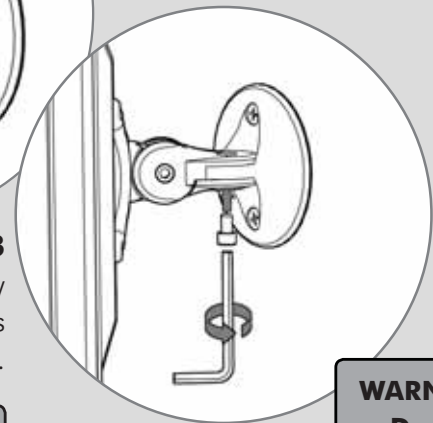
#### Step 2

Close the two halves of the Bracket around the Base by firstly positioning the top half and then the bottom half.



#### Step 3

Reassemble the Wall Direct Assembly ensuring the weight of the display is supported until the screw is tightened.



**Tip:** This step can be made easier by using two people.

**WARNING:**  
Do not overtighten.

### E Adjust Display Position

#### Step 1

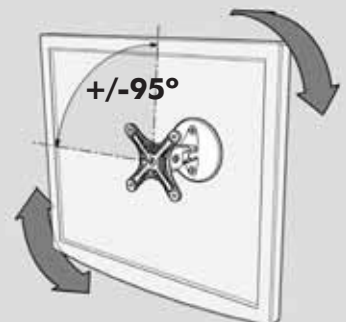
Adjust the display to the desired viewing angle then lock it in place by tightening the tilt screw in the direction shown.



**WARNING:**  
Do not overtighten.

#### Step 2

Adjust the display's position between landscape and portrait. The display can rotate through  $\pm 95^\circ$ .



**NOTE:**  
Screen does not rotate 360°

