

A4 Networking Cabinets



Model No.	W*D	Capacity
A4.6642...	600*600	42U

Standard:

- Comply with ANSI/EIA RS-310-D、IEC297-2、DIN41494;PART1、DIN41494;PART7, ETSI standard;

Feature:

- Exquisite design with precise dimension and craftsmanship;
- Toughened glass door with popular gray color, vented front door border and rear door ;
- Adjustable feet and heavy duty castors are available simultaneously;
- Cable entry on the top cover and bottom panel with adjustable sizes ;
- Optional installation of plinth to enable cabinets fixation, under-base cable entry/ventilation;
- Efficient and reliable cabinet connection by baying kit;
- Removable side panels to ease maintain;
- Around 1/3 assembled original volume when flat pack.

Material:

- SPCC cold rolled steel;
Thickness: mounting profile 2.0mm, mounting angle 1.5mm, others 1.2mm

Surface finish:

- Degreasing, pickling, phosphoric, powder coated

Degree of Protection:

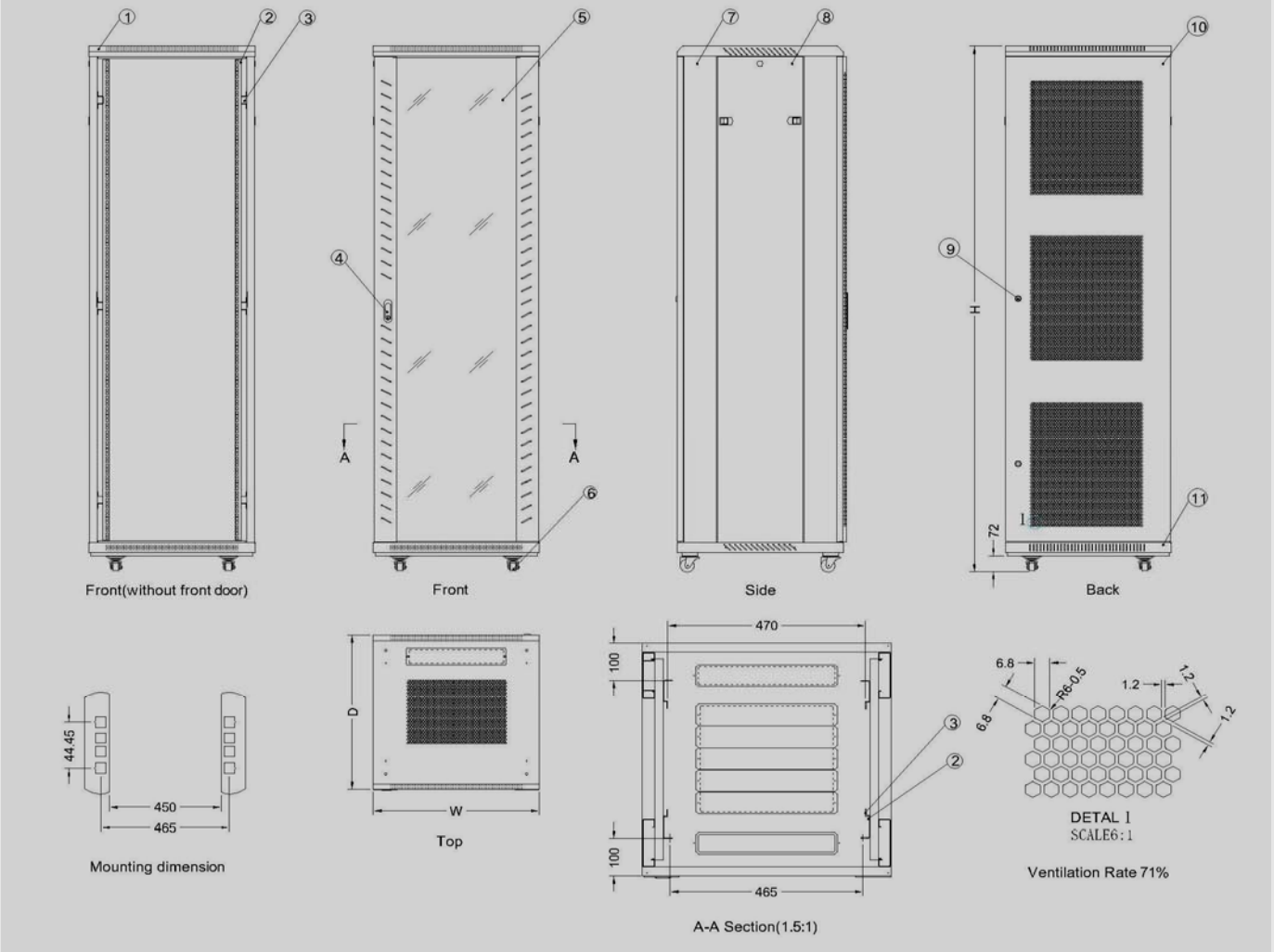
- IP20

Loading capacity:

- Static loading: 800KG

Width 600mm A4 Networking Cabinets

Main Dimension

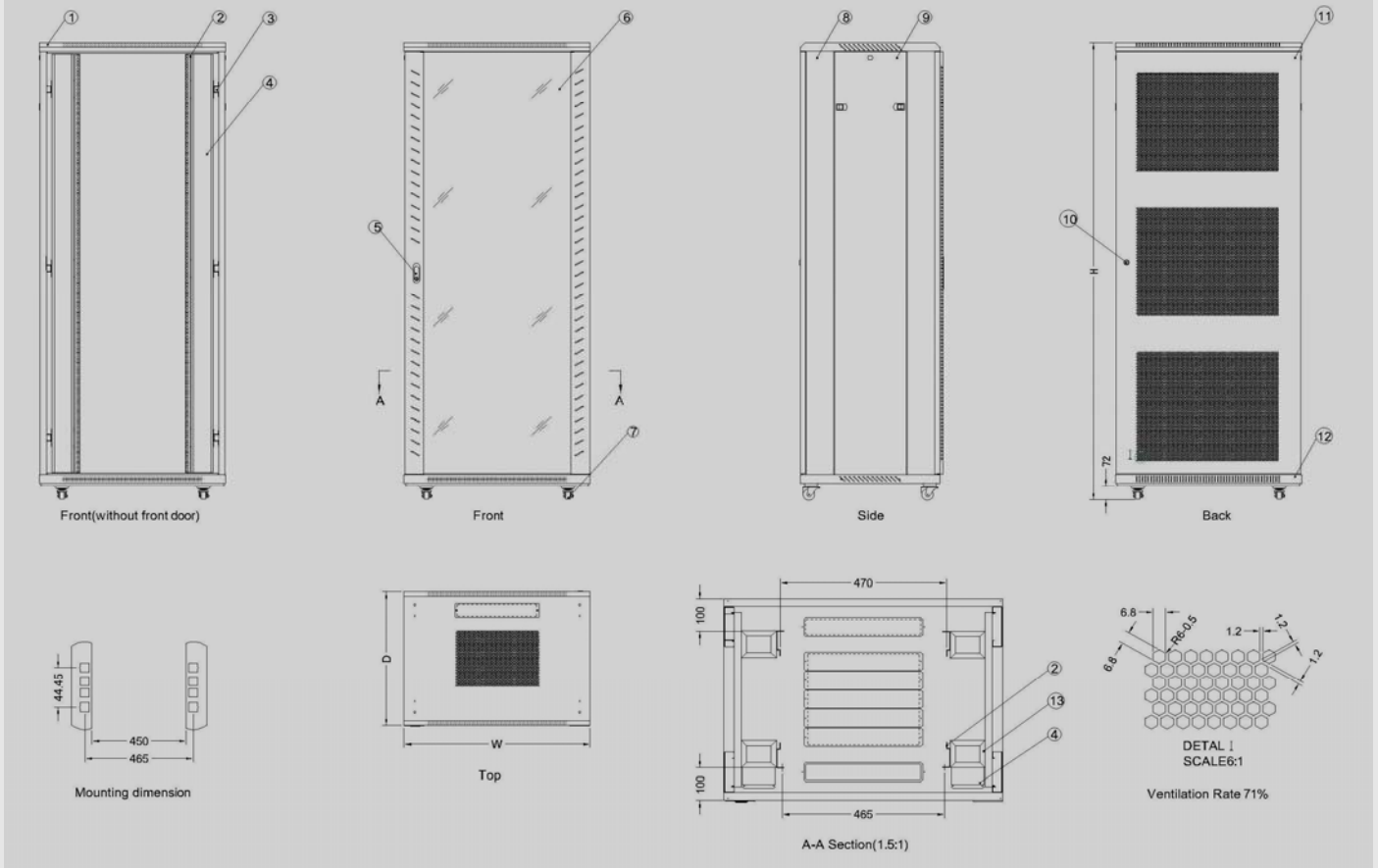


Main parts:

S/N	Specification	Quantity	Unit	Material	Surface finish	Remark
1	Top cover	1	Piece	SPCC cold rolled steel t1.2	Powder coated	---
2	Mounting profile	4	Piece	SPCC cold rolled steel t2.0	Blue zinc	---
3	Mounting angle	6	Piece	SPCC cold rolled steel t1.5	Powder coated	4pcs for lower 32U
4	Advanced moon-shaped lock	1	Piece	---	Black	With 2 keys
5	Toughened glass front door	1	Piece	Toughened glass/ t1.2 SPCC	Powder coated	
6	2" heavy duty castor	4	Piece	---	---	---
7	Frame	2	Piece	SPCC cold rolled steel t1.2	Powder coated	---
8	Side panel	2	Piece	SPCC cold rolled steel t1.2	Powder coated	---
9	Small round Lock	1	Piece	---	Nickel coated	With 2 keys
10	Hexagonal-hole rear door	1	Piece	SPCC cold rolled steel t1.2	Powder coated	Hexagonal vent
11	Bottom panel	1	Piece	SPCC cold rolled steel t1.2	Powder coated	---
12	M6 B-head screw	20	Piece	Steel	Color zinc	40 pcs for over 32U
13	M6 square nut	20	Piece	Steel	Color zinc	40 pcs for over 32U
14	Allen wrench	1	Piece	Steel	Black	---
15	M12 adjustable feet	4	Piece	---	---	---

Width 800mm A4 Server Cabinets

Main Dimension:



Main parts:

S/N	Specification	Quantity	Unit	Material	Surface Finish	Remark
1	Top cover	1	Piece	SPCC cold rolled steel t1.2	Powder coated	---
2	Mounting profile	4	Piece	SPCC cold rolled steel t2.0	Bluc zinc	---
3	Mounting angle	6	Piece	SPCC cold rolled steel t1.5	Powder coated	4pcs for lower 32U
4	Cable management slot	2	Piece	SPCC cold rolled steel t0.8	Powder coated	---
5	Advanced moon-shaped lock	1	Piece	---	Black	With 2 keys
6	Toughened glass front door	1	Piece	Toughened glass/ t1.2 SPCC	Powder coated	---
7	2" heavy duty castor	4	Piece	---	---	---
8	Frame	2	Piece	SPCC cold rolled steel t1.2	Powder coated	---
9	Side panel	2	Piece	SPCC cold rolled steel t1.2	Powder coatd	---
10	Small round lock	1	Piece	---	Nickel coated	With 2 keys
11	Hexagonal -hole rear door	1	Piece	SPCC cold rolled steel t1.2	Powder coated	Hexagonal vent
12	Bottom panel	1	Piece	SPCC cold rolled steel t1.2	Powder coated	---
13	Spacer	12	Piece	SPCC cold rolled steel t2.0	Powder coated	8pcs for lower 32U
14	M6 B-head screw	20	Piece	Steel	Color Zinc	40pcs for over 32U
15	M6 square nut	20	Piece	Steel	Color Zinc	40pcs for over 32U
16	Allen wrench	1	Piece	Steel	Black	---
17	M12 adjustable Feet	4	Piece	---	---	---

A4 Networking Cabinets

Specification:

Model No.	Capacity (U)	Width (mm)	Depth (mm)	Height (mm)	Packing Dimension W*D*H	Volume (CBM)
A4.6618. ■■■■	18	600	600	988	670*670*1028	0.4615
A4.6818. ■■■■			800		670*870*1028	0.5992
A4.6018. ■■■■			1000		670*1070*1028	0.7370
A4.6622. ■■■■	22	600	600	1166	670*670*1196	0.5369
A4.6822. ■■■■			800		670*870*1196	0.6971
A4.6022. ■■■■			1000		670*1070*1196	0.8574
A4.6627. ■■■■	27	600	600	1388	670*670*1418	0.6460
A4.6827. ■■■■			800		670*870*1418	0.8266
A4.6027. ■■■■			1000		670*1070*1418	1.0166
A4.6632. ■■■■	32	600	600	1610	670*670*1640	0.7362
A4.6832. ■■■■			800		670*870*1640	0.9560
A4.6032. ■■■■			1000		670*1070*1640	1.1757
A4.6637. ■■■■	37	600	600	1833	670*670*1863	0.8363
A4.6837. ■■■■			800		670*870*1863	1.0859
A4.6037. ■■■■			1000		670*1070*1863	1.3356
A4.6237. ■■■■	42	600	1200	2055	670*1270*1863	1.5852
A4.6642. ■■■■			600		670*670*2085	0.9360
A4.6842. ■■■■			800		670*870*2085	1.2153
A4.6042. ■■■■		1000	670*1070*2085		1.4947	
A4.6242. ■■■■		1200	670*1270*2085		1.7741	
A4.8642. ■■■■		800	600		870*670*2085	1.2513
A4.8842. ■■■■			800		870*870*2085	1.5781
A4.8042. ■■■■			1000		870*1070*2085	1.9409
A4.8242. ■■■■		47	600		1200	2277
A4.6647. ■■■■	600			670*670*2307	1.0356	
A4.6847. ■■■■	800			670*870*2307	1.3448	
A4.6047. ■■■■	1000		670*1070*2307	1.6539		
A4.6247. ■■■■	1200		670*1270*2307	1.9630		
A4.8647. ■■■■	800		600	870*670*2307	1.3448	
A4.8847. ■■■■			800	870*870*2307	1.7462	
A4.8047. ■■■■		1000	870*1070*2307	2.0673		
A4.8247. ■■■■	47	800	1200	2277	870*1270*2307	2.5490

Definition of ornament strip color:

TS. ■■■■. 7 ■■■■	TS. ■■■■. 9 ■■■■
Light Red	Light blue
	

Definition of body color:

■■■■. ■■■■. 0	■■■■. ■■■■. 1
gray	black
RAL7035	RAL9004

Color:

RAL9004	RAL7035
