

**Product Guide****C 0720** Surface Mount 200mm (8") 100V 15W Ceiling Speaker White**C 0721** Surface Mount 200mm (8") 100V 15W Ceiling Speaker Black

## 200mm (8") 15W One Shot® Surface Mount EWIS Speakers

- ✓ High power 15W output for increased SPL
- ✓ Excellent speech intelligibility
- ✓ Engineered to meet Australian Standard AS1670.4
- ✓ High quality speaker driver developed for BGM, paging and emergency warning applications.
- ✓ Patented 6 way latching ensures a neat, sag free installation.
- ✓ Fitted with 4 way wire protect terminal block for loop in, loop out wiring as required by Australian Standards.
- ✓ Fitted with supervisory capacitor for line monitoring.
- ✓ High impact enclosure & grille.
- ✓ 5 year warranty.

**Application**

C 0720 and C 0721 are high power PA speakers designed for EWIS (fire & evacuation) installations requiring high SPL output. They are moulded from industrial grade, high impact polystyrene and designed to mount directly to the underside of concrete slabs or inaccessible ceilings. The housing utilises the One-Shot® mounting system for reduced installation time. They are ideal for use in plant rooms, warehouses, shopping centres, malls etc.

**Emergency Warning & Intercommunications Systems (EWIS)**

This speaker is designed for use in installations designed to deliver both verbal and tone announcements to occupants for evacuation and alarm conditions.

It is fitted with line monitoring capacitor and 4 way wire protect terminal connection.

**About Redback® Speaker Drivers**

Each custom designed speaker and transformer combination has been specifically engineered to ensure a wide frequency range and dispersion angle, plus a high sound pressure level (SPL) ensuring excellent music and speech intelligibility; which is critical for emergency paging applications.

Each transformer is fitted with multiple power settings which are user selectable via taps on the transformer. For reference, the transformer safety cover is imprinted with power selection information.

**The Labour Saving One-Shot® Mounting System**

Redback® "One-Shot®" speaker units install in seconds providing substantial labour cost savings for the professional installer compared to traditional mounting methods.

They simply snap fit to the outer mounting ring by means of the integral pressure clips. The snap clip material is formulated to retain long service life strength and spring action, ensuring a firm vibration free fit.

Speaker cable entry can be either from the rear, or via surface mounted conduit (four 19mm conduit knockouts are provided).

The neutral white RAL colour of C 0720 provides an architecturally unobtrusive finish to virtually any installation. C 0721 is fitted with a black grille for use on ceilings with a dark colour.

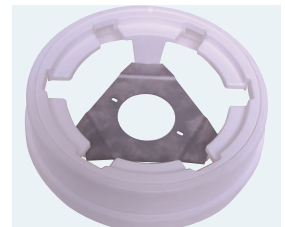
The transformer is fitted with a 4 way wire protect screw terminal block. This is suitable for loop in, loop out cabling. The cable can be secured to the in-built restraint plate with 100mm cable ties.

**Manufacturing & Performance**

Redback® drivers are engineered and manufactured to stringent specifications ensuring maximum reliability under all operating conditions. Each driver has a power rating well above the max tapping of the transformer, ensuring reliable operation and excellent longevity. A strict quality control procedure is employed during every step of the manufacturing process. Finally, every finished speaker is 100% QC checked prior to shipping.

**Optional Conduit Mounting Plate**

The C 0713 adaptor plate enables the C 0720 and C 0721 mounting rings to be fixed to a standard recessed conduit junction box without the need for drilling into the concrete slab, saving considerable installation time & hardware.



Melbourne Branch  
121/45 Gilby Road, Mount Waverley, VIC 3149  
P: 03 9558 8088 | F: 03 9558 8089  
E: vicsales@netsecurity.com.au

Adelaide Branch  
4 Commercial Street, Marleston, SA 5033  
P: 08 8371 4166 | F: 08 8371 4566  
E: sales@netsecurity.com.au

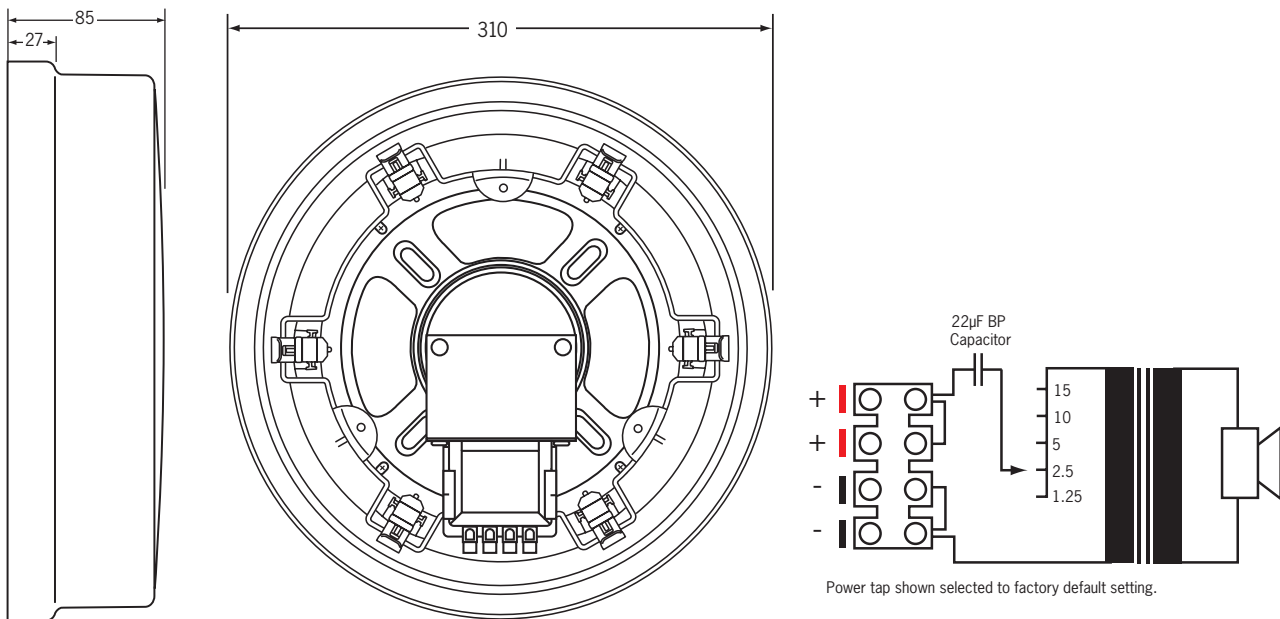
## Product Guide

**C 0720** Surface Mount 200mm (8") 100V 15W Ceiling Speaker White

**C 0721** Surface Mount 200mm (8") 100V 15W Ceiling Speaker Black



### Dimensions & Transformer Detail



### Specifications

#### Electrical

Power taps:	1.25, 2.5, 5, 10, 15W
SPL 1W @ 1m:	95dB @ 1kHz (+/- 2dB)
Frequency response:	80Hz-12kHz
Connection:	4 way terminal block + 22uF bipolar capacitor

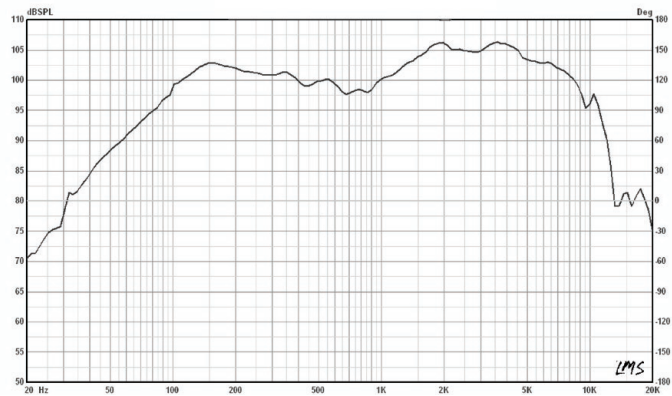
#### Mechanical

Enclosure material:	High impact polystyrene
Driver construction:	Paper cone
Enclosure diameter:	310mmØ
Depth:	85mm
Overall weight:	2kg
C 0720 Colour:	White
C 0721 Colour:	Black

#### Environmental

Operating temperature:	-25°C to +55°C
Relative humidity:	< 95%

### Frequency Response (SPL 1W @ 1m)



### Architect Specifications

#### C 0720

The surface mount speaker shall have a 200mm speaker driver which shall operate at 100V and have power taps of 15W, 10W, 5W, 2.5W and 1.25W. It shall have a SPL of 95dB (1W@1m). It shall have a 4 way wire protected terminal strip and be fitted with a 22uF bipolar capacitor for line monitoring. The speaker body shall be made of white high impact polystyrene and shall be surface mounted with concealed fixings. The surface mounting ring shall be provided with side and rear knockouts for conduit entry. The speaker driver shall be attached to the grill which shall be snap-fit attached to the surface mount ring. The ceiling mount speaker shall be a Redback model C 0720.

#### C 0721

The surface mount speaker shall have a 200mm speaker driver which shall operate at 100V and have power taps of 15W, 10W, 5W, 2.5W and 1.25W. It shall have a SPL of 95dB (1W@1m). It shall have a 4 way wire protected terminal strip and be fitted with a 22uF bipolar capacitor for line monitoring. The speaker body shall be made of black high impact polystyrene and shall be surface mounted with concealed fixings. The surface mounting ring shall be provided with side and rear knockouts for conduit entry. The speaker driver shall be attached to the grill which shall be snap-fit attached to the surface mount ring. The ceiling mount speaker shall be a Redback model C 0721.