

## AX-DV-P, AX-DVF-P Video Door Stations for AX Series

AX-DV-P



AX-DVF-P



### DESCRIPTION:

The AX-DV-P is a surface mount color video door station for the AX Series. The AX-DVF-P is a flush mount color video door station. Both units have a built in HID® ProxPoint® Plus card reader (6005B). The reader connects to an access control system while the camera connects directly to the AX Central Exchange Unit using CAT-5e wire with an RJ45 jack.

The AX-DV-P has an aluminum diecast cover and the AX-DVF-P has a stainless steel faceplate. Both units include a camera, microphone, speaker, call button, and HID® reader. Tamper resistant screws are provided for mounting.

When the call button on the door station is pushed, the master station(s) ring and the video monitor comes on with the image from the door station's camera. The master station user then pushes the "TALK" button to initiate communication. The person at the door station speaks hands-free. If the visitor has valid credentials, he/she swipes his/her card and the access system controls the door.

The AX door stations can be located up to 980' from the AX CEU and wired with CAT-5e cable. Additional equipment is available to interface with third party hardware for transmission over fiber optic cable or an IP network.

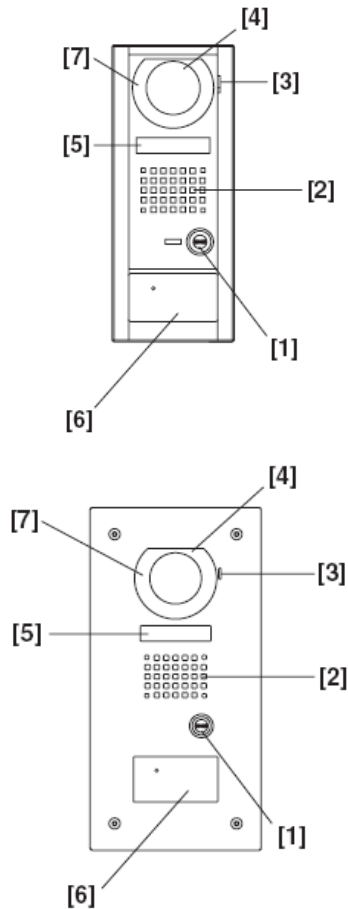
### FEATURES:

- Color video camera with audio intercom and embedded card reader
- HID® ProxPoint® Plus reader (6005B) – Requires separate wiring and host controller
- 2-way hands-free voice communication with AX master station
- Call button to initiate call to master(s)
- White LED for low light conditions
- RJ45 jack for easy CAT-5e connection
- Surface (AX-DV-P) or flush mount (AX-DVF-P) styles available
- 980' wiring distance from CEU on CAT-5e cable

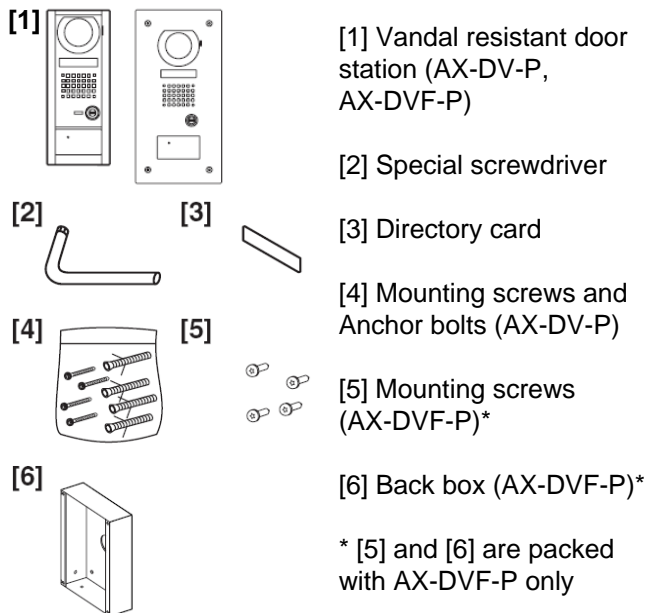
# AX-DV-P, AX-DVF-P

## Video Door Stations for AX Series

### FEATURE CALL-OUTS:



### PACKAGE CONTENTS:



### FEATURE CALL-OUT DEFINITIONS:

- [1] Call Button
- [2] Speaker
- [3] Microphone
- [4] Camera
- [5] Directory Card
- [6] Proximity card reader (HID® 6005B)
- [7] White LED

### SPECIFICATIONS:

Power Source: 24V DC Supplied from CEU

Wiring Connection: RJ45 jack (CAT-5e)

Communication: Hands-free communication (auto-voice actuated or PTT) controlled by master station

Camera: ¼" color CCD camera

Pixels: 250,000 Pixels

Minimum illumination: 5 Lux

Card Reader: HID® ProxPoint® Plus (6005B)

Operating Temp: 14 – 140° F (-10 ~ 60° C)

Mounting:  
AX-DV-P Surface wall mount  
AX-DVF-P Flush mount (with provided box)

Housing:  
AX-DV-P Front Panel: Aluminum die casting  
Main Unit: Resins  
AX-DVF-P Front Panel: Stainless steel  
Main Unit: Resins  
Back box: Steel plate

Color:  
AX-DV-P Solid silver (metallic gray)  
AX-DVF-P Stainless steel, brush-finished

Dimensions:  
AX-DV-P: 9-1/16" x 3-15/16" x 1"  
(245x100x25 mm)  
(HxWxD)  
AX-DVF-P: 11-5/8" x 5-3/4" x 1-7/8"  
(295x146x45 mm)

Weight:  
(approx.)  
AX-DV-P: 0.99 lbs (450g)  
AX-DVF-P: 1.67lbs (760g)