

# ULT-MB02 SERIES

## WALL MOUNT LCD MONITOR BRACKETS

# ULTRA

## SURVEILLANCE

### ULT-MB02WM-11

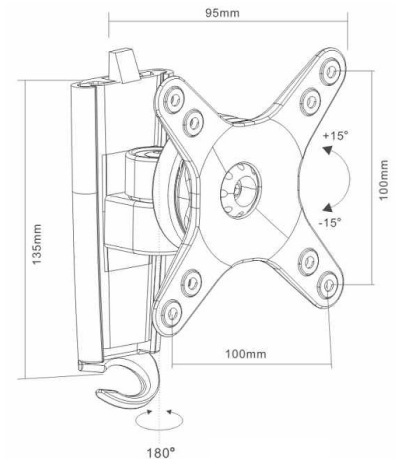
### Wall mount monitor bracket with Tilt & Swivel

#### Features:

- Suits LCD monitors from 13" ~ 27"
- 95mm distance from wall
- -15° ~ +15° tilt
- 180° swivel
- 360° rotation
- Landscape or Portrait viewing
- 15kg holding force
- Integrated cable management
- Integrated bubble level
- Slide-in wall plate
- VESA mount: 75x75, 100x100



#### Dimensions:



### ULT-MB02WM-13

### Wall mount monitor bracket with Articulated arm

#### Features:

- Suits LCD monitors from 13" ~ 27"
- 95 ~ 395mm distance from wall
- -15° ~ +15° tilt
- 180° swivel at head, mid and base
- 360° rotation
- Landscape or Portrait viewing
- 15kg holding force
- Integrated cable management
- Integrated bubble level
- Slide-in wall plate
- VESA mount: 75x75, 100x100



#### Dimensions:

