

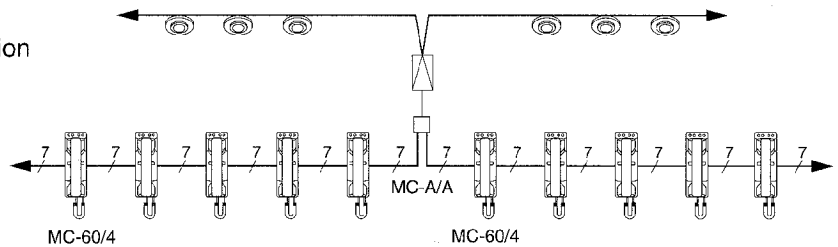
MC-60/4 MARKET-COM ADAPTOR

Model; **MC-A/A**

INSTALLATION & OPERATION MANUAL

1 SYSTEM OUTLINE & FEATURES

MC-A/A is a Market-Com Adaptor for Aiphone's MC-60/4 paging & communication intercom system.

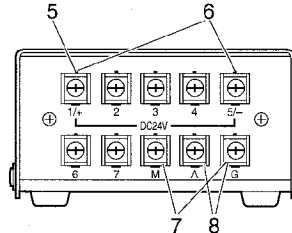
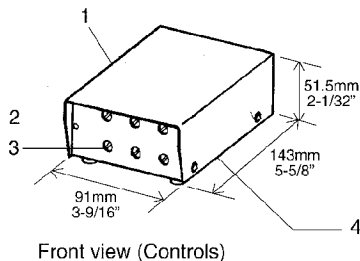


FEATURES

MC-A/A Market-Com adaptor handles max. 4 communication channels and a separate paging operation.

- ☆ One MC-A/A adaptor controls max. 60 MC-60/4 phone stations. Has inputs for background music.
- ☆ MC-A/A adaptor has treble, bass & volume controls for paging & background music.
- ☆ Pre-page chime tone, adjustable
- ☆ Connects to any standard paging amplifier.

2 NAMES AND FUNCTIONS



Check the package contents before installation

- | | |
|---|--------|
| • MC-A/A unit | 1 unit |
| • Mounting bracket | 1 pc |
| • Screws for mounting to gang box | 2 pcs |
| • Wood screws for surface-wall mounting | 2 pcs |
| • Installation & Operation Manual | |

- 1 Case
- 2 Music volume, bass & treble controls
- 3 Paging volume, bass & treble controls
- 4 Page pre-tone volume control

- 5 Phone wiring input (# 1 ~ 7)
- 6 Plus & minus input
- 7 M & G (background music) input
- 8 A & G (paging amplifier) output

3 INSTRUCTIONS ON INSTALLATION & WIRING

MC-A/A adaptor is designed for MC-60/4 Market-Com system. As zone page adaptor, may also be used for Aiphone's YKX, RAX & RCX intercom systems.

Wiring

With cable run from each of max. 6 phone blocks, connect all the terminals together with matching wires, in strict accordance with color code designated for wire numbers 1 ~ 7.

Mounting

MC-A/A unit is provided with a mounting bracket, which mounts to single-gang box or wall surface with either of two screws supplied. Then, insert the prongs of the bracket into the holes of the chassis and pull down until it locks.

Pre-tone volume

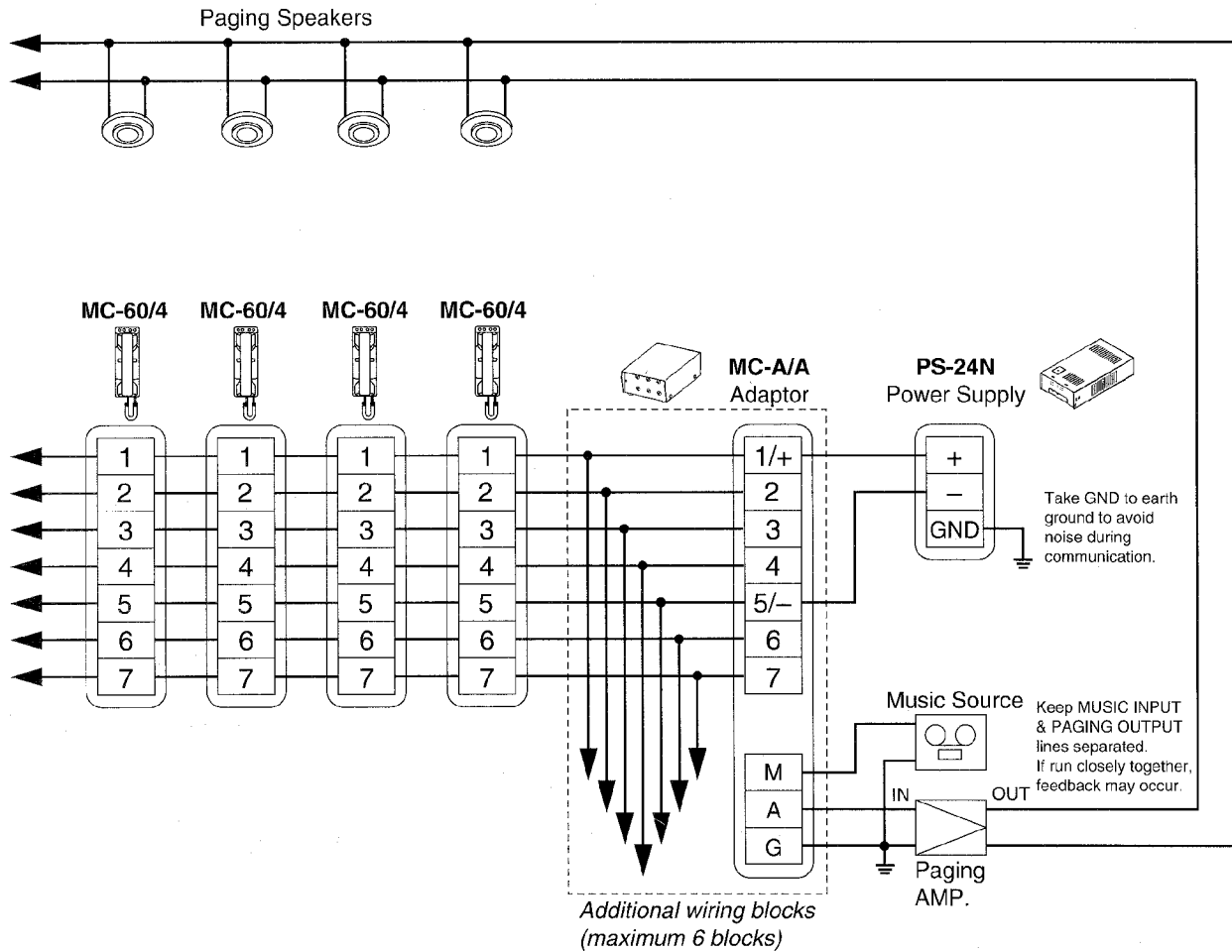
Page pre-tone volume control is located on back of chassis. Adjusts chime volume over a pre-determined dB range.

Adjusting paging output

Adjust amplifier output control to mid-range. Adjust MC-A/A output volume, bass & treble control to mid-range. Test paging and adjust controls of MC-A/A to desired volume, bass & treble resolution.

4 WIRING DIAGRAM

- 1) Seven wires per MC-60/4 phone block.
- 2) Total of 60 MC-60/4 phones per system.
- 3) Maximum of 10 MC-60/4 phones per block.
- 4) PS-24N power supply must be wired to MC-A/A, not to phones.
- 5) Connect A & G terminals of MC-A/A to Auxiliary input of a standard paging amplifier.
- 6) Connect M & G terminals of MC-A/A to output of background music source (Ground can be wired in common).



5 SPECIFICATIONS

Power source:	DC 24V. Use a PS-24N power supply.
Wiring:	See wiring diagram.
Amplifier input requirements:	AUX; 10K ohm, 0.3V ~ 0.5V
Music source output requirements:	Range; 100mV ~ 1.2V, 10K ohm or less
Dimensions (H x W x D):	51.5 mm x 91 mm x 143 mm, 2-1/32" x 3-9/16" x 5-5/8".
Weight:	Approx. 530g (1.17 lbs.)

WARRANTY

Aiphone warrants its products to be free from defects of material and workmanship under normal use and service for a period of one year after delivery to the ultimate user and will repair free of charge or replace at no charge, should it become defective upon which examination shall disclose to be defective and under warranty. Aiphone reserves unto itself the sole right to make the final decision whether there is a defect in materials and/or workmanship; and whether or not the product is within the warranty.

This warranty shall not apply to any Aiphone product which has been subject to misuse, neglect, accident, or to use in violation of instructions furnished, nor extended to units which have been repaired or altered outside of the factory. This warranty does not cover batteries or damage caused by batteries used in connection with the product.

This warranty covers bench repairs only, and any repairs must be made at the shop or place designated in writing by Aiphone.

Aiphone will not be responsible for any costs incurred involving on site service calls.