

KUP-DL97A-10W-D90L45-Z

Konec

90mm Cutout, 10W, SMD, 2700K-6500K, RGB, CRI \geq 80, 850-900lm, Lifespan up to 50000hr, Metal Housing, External driver, Zigbee, White



KONEC SMART DOWNLIGHT RGB-Z97

SKU: KUP00553

A high-lumen LED downlight that seamlessly integrates with your Konec Smart home through the Zigbee gateway, with a design that ensures outstanding heat dissipation. You can easily control your lighting using switches, apps, or voice commands via Amazon Alexa, Google Home, and Siri. Moreover, you can create personalised scenes by connecting them with other Konec smart devices.

Scan the QR Code to download Arks by Konec Solutions App



FEATURES



ADJUST BRIGHTNESS

Control the light brightness from 1 to 100% from the app and control panel.



RGB

The RGB colour palette lets you customise the light color to match your desired ambience.



SCHEDULE

Set scheduled/countdown timers to turn on/off at specified time.



ENERGY SAVING

Remote access, scheduling, and adjustable brightness help reduce energy consumption.



ON/OFF MANUAL CONTROL

The on/off status of the product can be controlled by physical switches.



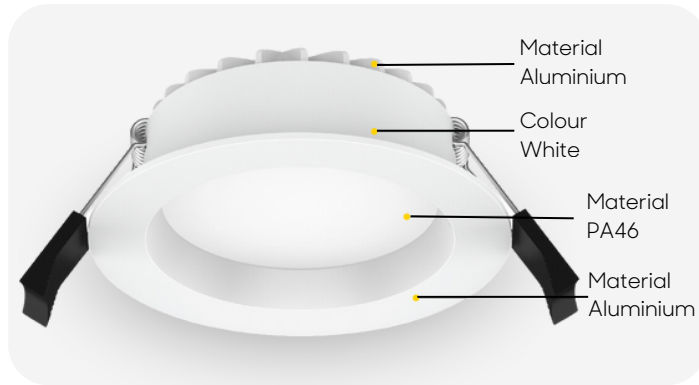
OTA UPDATE

Receive the latest firmware notifications and update using the app.

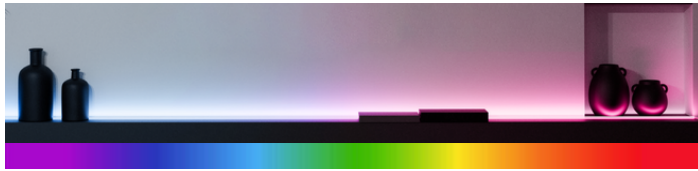
SPECIFICATIONS

Input Voltage	AC 220V - 240V, 50/60Hz
Watt	10W
Electrical Class	Class II
Luminous Flux	850 - 900lm
LED Driver	Built-out
Connection Type	Zigbee
IP Rating	IP40 (Other parts) IP54 (LED cover)
Lifespan	Up to 50,000hr
Glow Wire Test	750°C
RGB	Supported
CCT	CCT(2700K - 6500K)
CRI	\geq 80
Beam Angle	90°
Dimensions	Ø110 × 38mm
Cutout	Ø90 - 95mm
Housing Material	Aluminium
Optics Material	PC
Operating Temperature	-20°C ~ 45°C
Device Mounting	Ceiling

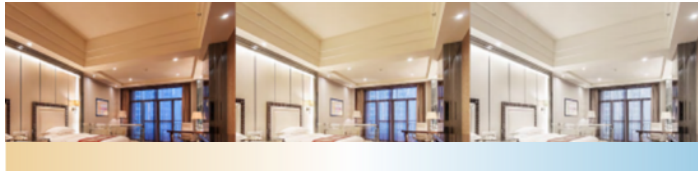
MATERIALS & COLOUR



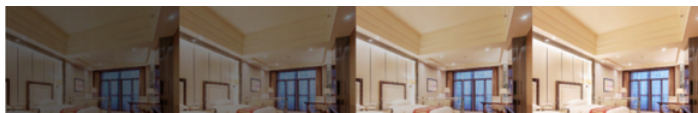
Multi-colour Options



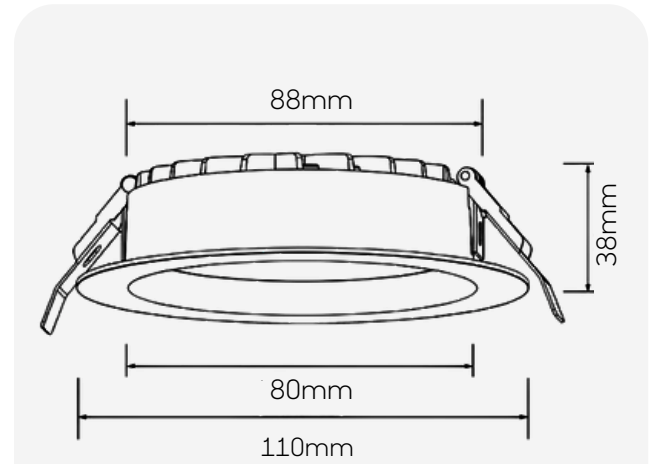
2700K - 6500K Colour Temperature



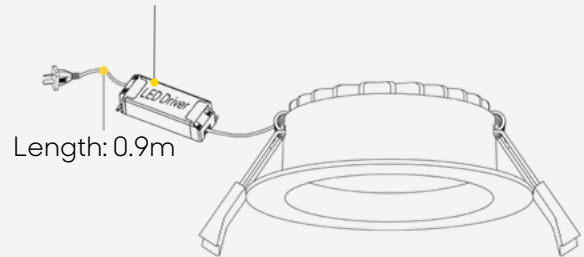
1% - 100% Brightness



DIMENSIONS



LED Driver: 120mm (L) x 50mm (W) x 25mm (H)



Disclaimer: The image is for reference only. Product details may slightly vary.
The downlight's height is approximately 45mm with the wire included.

Disclaimer

This document provides technical specifications for the Konec Smart Downlight RGB-Z97 and is intended for reference only. Product specifications, features, and visuals may change without prior notice. For the most current product specifications, visit www.konechome.com.au. Konec Solutions Pty Ltd makes no guarantees regarding the completeness, accuracy, or currentness of this document. Users are responsible for verifying compatibility, suitability, and compliance with local regulations before purchase, installation, or use. To the extent permitted by law, Konec Solutions disclaims any liability for direct, indirect, incidental, or consequential damages resulting from reliance on this document.

Nothing in this disclaimer limits or excludes your rights under the Australian Consumer Law or the New Zealand Consumer Guarantees Act 1993.

Konec Solutions Pty Ltd.
<https://www.konechome.com.au/>
1300 2 56632 (1300 2 KONEC)
info@konec.com.au