



## KONEC COB SMART DOWNLIGHT CCT-DL426

### INSTALLATION GUIDE

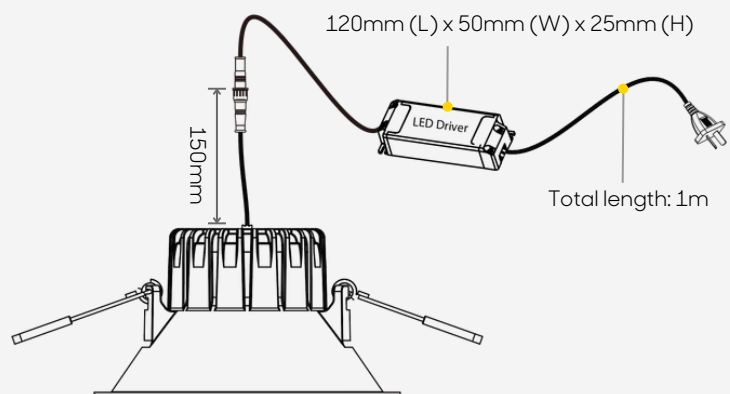
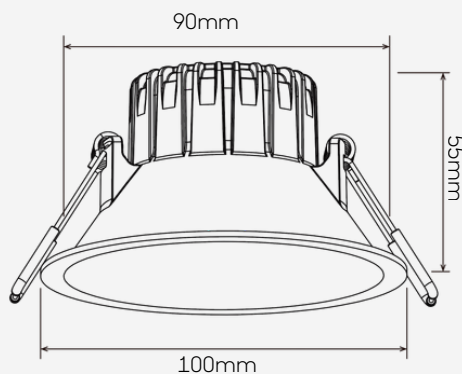
Scan the QR Code to download Arks by Konec Solutions App



This installation guide apply for all of the Konec COB Smart Downlight CCT-DL426 version

Disclaimer	Installation Safety Warnings
<ul style="list-style-type: none"> <li>This guide is intended to assist qualified professionals with the correct installation of the Konec COB Smart Downlight CCT-DL426.</li> <li>Please follow all instructions carefully and ensure compliance with AS/NZS 3000 and local regulations. Improper installation or modification may void the warranty and result in safety risks.</li> <li>This guide is for reference only. Product details may change without notice.</li> <li>To the extent allowed by law, Konec Solutions is not liable for any damage, injury, or loss resulting from the use of this guide or the installation process.</li> <li>This disclaimer does not affect your rights under the Australian Consumer Law or the New Zealand Consumer Guarantees Act 1993.</li> </ul>	<p>To ensure a safe and compliant installation, please follow these precautions:</p> <ul style="list-style-type: none"> <li>This product is designed for professional installation.</li> <li>Disconnect power before starting installation or maintenance.</li> <li>Installation must comply with AS/NZS 3000 and all relevant local electrical and building regulations.</li> <li>Do not exceed the product's rated electrical capacity.</li> <li>Avoid using power tools unless explicitly specified.</li> <li>Do not install in areas exposed to water or high humidity unless rated for such conditions.</li> <li>Use appropriate personal protective equipment (e.g., gloves, safety glasses).</li> </ul>

## DIMENSIONS



## WHAT'S INCLUDED

### DOWNLIGHT \* 1

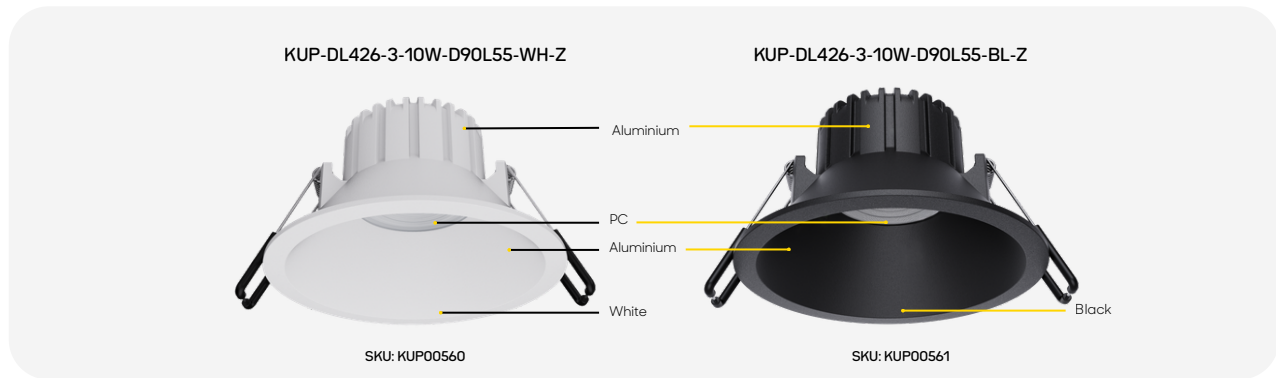


Disclaimer: The external LED Driver is included.

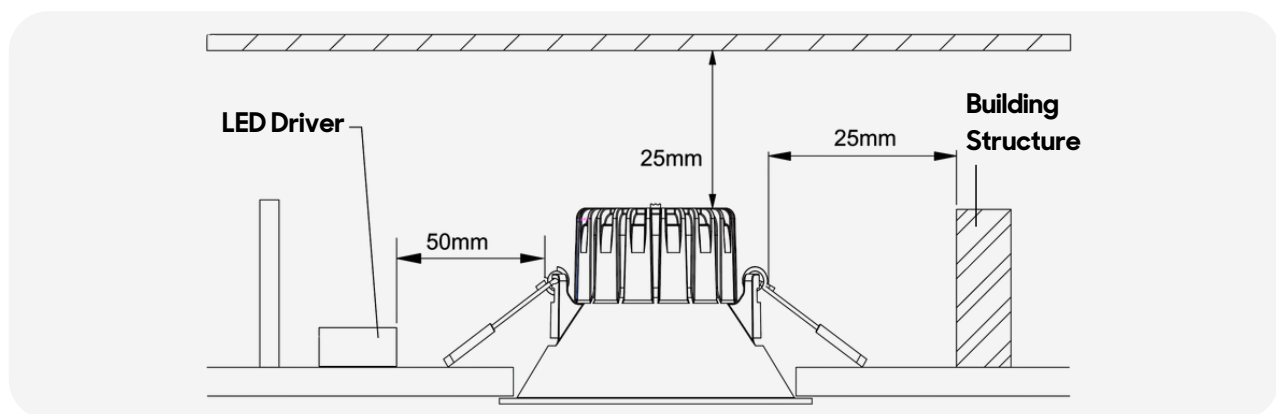
### IN-BOX USERMANUAL \* 1



## MATERIALS & COLOUR



## INSTALLATION SPACING



## PRECAUTIONS



Household and indoor uses only, installed by a qualified professional.

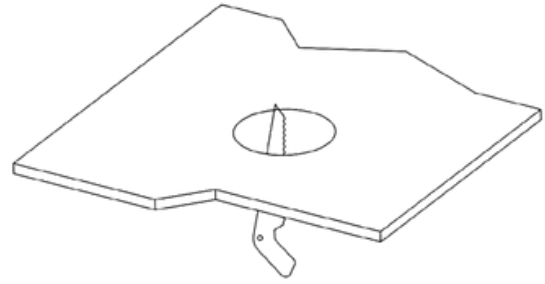


- Before installation, read the instructions and ensure you have all necessary tools and accessories for proper completion.
- Always ensure the power is OFF and allow the light fixture to cool before performing maintenance, cleaning, replacement, or adjustments.
- Do not install any luminaire near the heat source.
- Ensure power leads and screws are secure to prevent injury or damage before connecting to power.
- Switch OFF the power before installation.
- Power can be turned on after completing installation and circuit inspection.
- The number of single-channel parallel lamps must not exceed 30.
- Product modification and improper installation are not valid for warranty.
- The luminaire's light source is non-replaceable; if damaged, the luminaire must be discarded.
- Warning: Compromising clearance distances may risk overheating or fire.
- Do not look directly into the light source when powering on.

# INSTALLATION

## STEP 1.

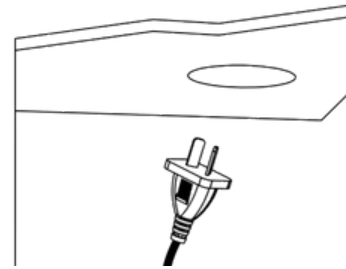
Cut an opening in the ceiling with a minimum diameter of  $\text{Ø}90\text{mm}$ .



## STEP 2.

Connect the power supply.

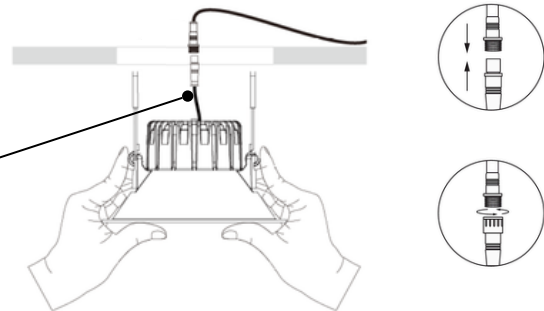
**Input Voltage Requirement: AC200V - 240V, 50/60Hz**



## STEP 3.

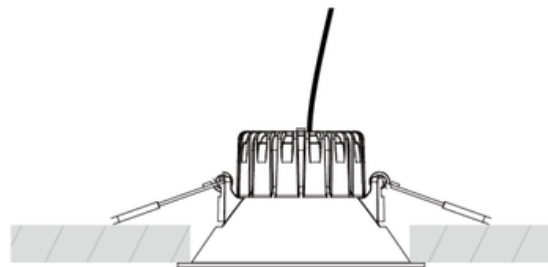
Connect the cable. Make sure it is securely tightened.  
Push back the spring clips and insert the downlight into the cutout.

The external cable or cord is non-replaceable. If damaged, the entire downlight must be replaced.



## STEP 4.

Make sure the downlight is fixed tightly in the ceiling before turning on the power.



Inspect the luminaire for damages. If damaged, the entire downlight must be replaced.

## NEXT STEPS

The Konec COB Smart Downlight CCT-DL426 Installation Guide has been completed.

For Set Up and Configuration steps, go to the official Konec website for more information. Go to the product page's resource section and refer to:



### **USER MANUAL - Konec COB Smart Downlight CCT-DL426**

For all Konec COB Smart Downlight CCT-DL426 Series



**Scan the QR code to download the User Manual and other helpful documents.**

**Note:** If you cannot find the suitable Konec COB Smart Downlight CCT-DL426 User manual on the website, please contact the Konec Solutions Representative for further information.

## Konec Solutions Pty Ltd

---

**Please do not hesitate to contact us if you have any questions.**



Konec Official Web

**<http://www.konechome.com.au>**



Hotline

**1300 2 56632 (1300 2 KONEC)**



Sales & Partnership

**[sales@konec.com.au](mailto:sales@konec.com.au)**



Customer Support

**[support@konec.com.au](mailto:support@konec.com.au)**



Address

**L3 5 Talavera Road Macquarie Park NSW 2113**