

KUP-DL426-3-10W-D90L55-WH-Z

Konec

Smart Downlight, 90mm Cutout, 10W, COB, CCT, 2700K-6000K, CRI \geq 90, UGR <19, 790-840lm, Lifespan up to 50000hr, 60° Beam Angle, Metal Housing, External driver, Zigbee, White



KONEC COB SMART DOWNLIGHT CCT-DL426

SKU: KUP00560

The DL426 downlight uses COB LED technology with an anti-glare design and a high CRI for vivid, true-to-life colours. Crafted from die-cast aluminium, it guarantees durability while providing bright, uniform lighting with energy-efficient performance.

Scan the QR Code to download Arks by Konec Solutions App



FEATURES



COB LIGHT SOURCE

Features advanced COB LED technology with multiple chips on a single substrate that creates a brighter and intense light while using less energy.

UGR <19

ANTI-GLARE DEEP RECESSED DESIGN

The downlight is designed with a deep recessed lens structure, enhancing its anti-glare capabilities for improved visual comfort.



SCENE CONTROL

Integrate the downlights into an automated scene that allows the on/off status, brightness, and colour temperature to change in response to a scene activation.



SCHEDULE

Set scheduled/countdown timers to turn on/off at specified time.



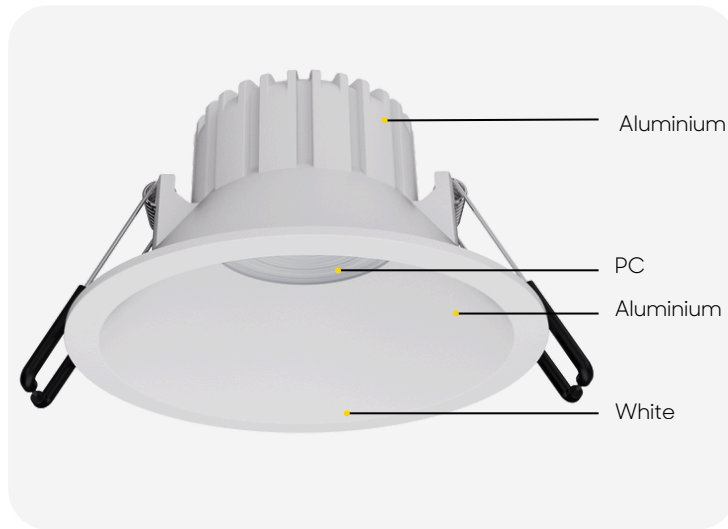
APP CONTROL

The on/off status, brightness and colour temperature can be controlled remotely through the app.

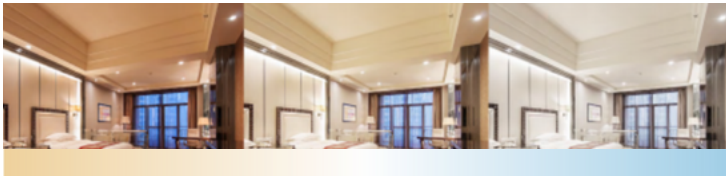
SPECIFICATIONS

Input Voltage	AC 220 - 240V ~ 50/60Hz
Rated Power	10W
Electrical Class	Class II
Luminous Flux \pm 5%	790-840lm
LED Driver	Built-out
Connection Type	Zigbee
IP Rating	IP65 (Below Ceiling) IP40 (Inside Ceiling)
Lifespan	Up to 50,000hr
Glow Wire Test	750°C
CCT	2700K ~ 6000K
CRI	\geq 90
UGR	<19
Beam Angle	60°
Dimensions	Ø100 × 55mm
Cutout	Ø90mm
Housing Material	Die Cast Aluminium
Optics Material	PC
Operating Temperature	-20°C ~ 45°C
Installation Method	Recessed

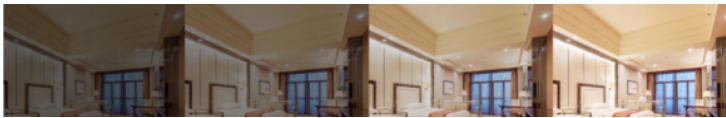
MATERIALS & COLOUR



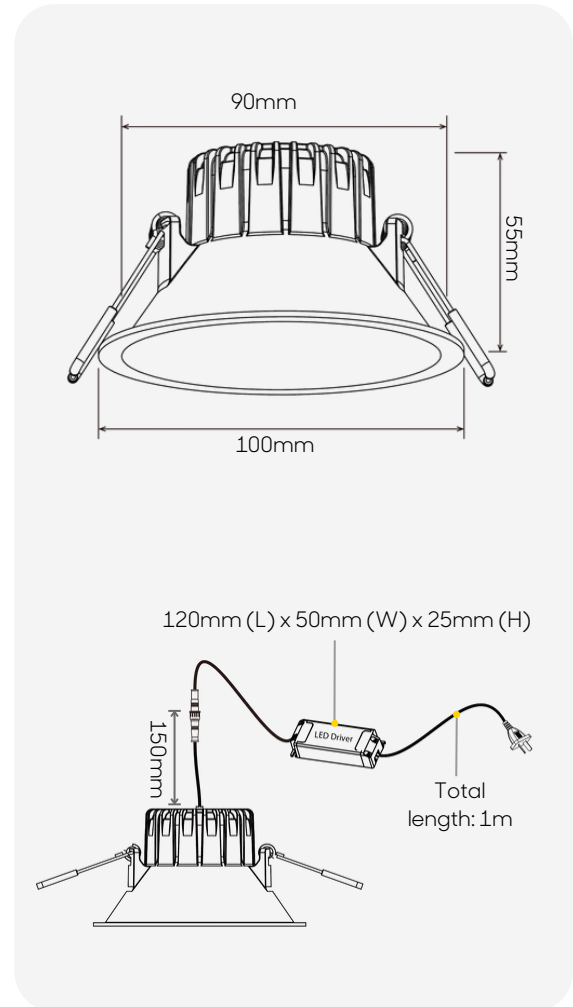
2700K - 6000K Colour Temperature



1% - 100% Dimmable Brightness



DIMENSIONS



Disclaimer

This document provides technical specifications for the Konec COB Smart Downlight CCT-DL426 and is intended for reference only. Product specifications, features, and visuals may change without prior notice. For the most current product specifications, visit www.konechome.com.au. Konec Solutions Pty Ltd makes no guarantees regarding the completeness, accuracy, or currentness of this document. Users are responsible for verifying compatibility, suitability, and compliance with local regulations before purchase, installation, or use. To the extent permitted by law, Konec Solutions disclaims any liability for direct, indirect, incidental, or consequential damages resulting from reliance on this document.

Nothing in this disclaimer limits or excludes your rights under the Australian Consumer Law or the New Zealand Consumer Guarantees Act 1993.

Konec Solutions Pty Ltd.
<https://www.konechome.com.au/>
1300 2 56632 (1300 2 KONEC)
info@konec.com.au