


KTY-UX18-ZGBL-KC



SKU: KGW00001

KONEC MULTIMODE SMART GATEWAY

INSTALLATION GUIDE

Scan the QR Code to download Arks by Konec Solutions App

Disclaimer	Installation Safety Warnings
<ul style="list-style-type: none"> This guide is intended to assist qualified professionals with the correct installation of the Konec Multimode Smart Gateway. Please follow all instructions carefully and ensure compliance with AS/NZS 3000 and local regulations. Improper installation or modification may void the warranty and result in safety risks. This guide is for reference only. Product details may change without notice. To the extent allowed by law, Konec Solutions is not liable for any damage, injury, or loss resulting from the use of this guide or the installation process. This disclaimer does not affect your rights under the Australian Consumer Law or the New Zealand Consumer Guarantees Act 1993. 	<p>To ensure a safe and compliant installation, please follow these precautions:</p> <ul style="list-style-type: none"> This product is designed for professional installation. Installation must comply with AS/NZS 3000 and all relevant local electrical and building regulations. Do not exceed the product's rated electrical capacity. Avoid using power tools unless explicitly specified. Do not install in areas exposed to water or high humidity unless rated for such conditions. Use appropriate personal protective equipment (e.g., gloves, safety glasses).

WHAT'S INCLUDED

SMART GATEWAY * 1



Gateway Unit * 1
Antenna * 3
Extension Antenna * 1

SCREWS M4 x 25MM * 4
DRYWALL ANCHORS * 4



POWER SUPPLY ADAPTOR * 1



QUICK SETUP GUIDE * 1

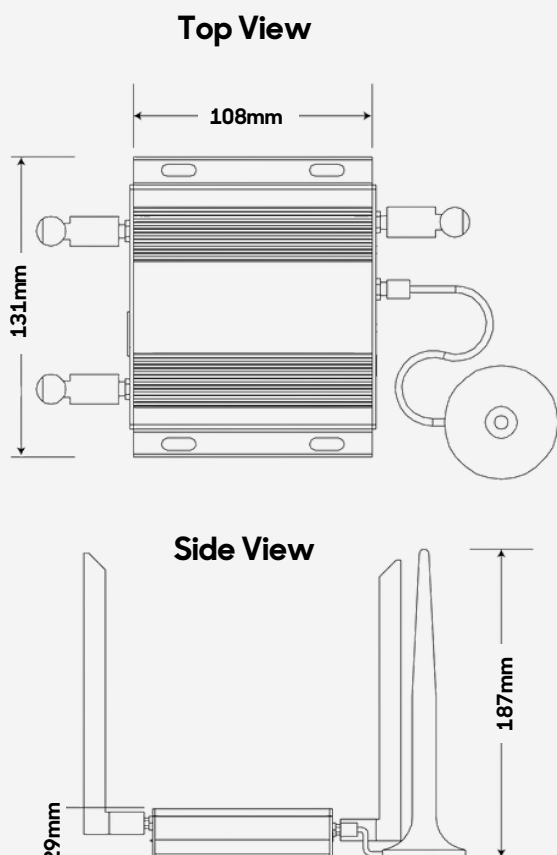


ETHERNET CABLE * 1



Disclaimer: Product details may vary. Refer to the in-box content.

DIMENSIONS



Top View

108mm (width)

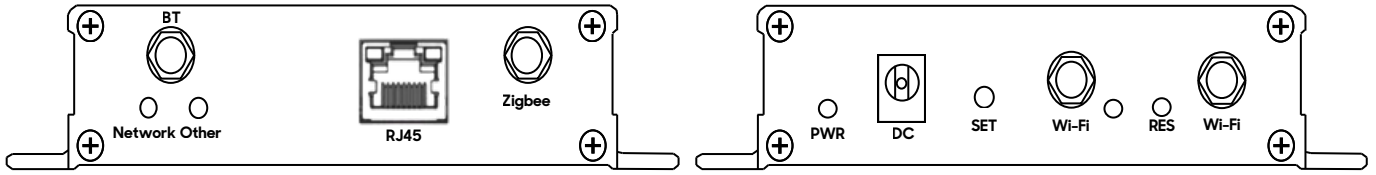
131mm (height)

Side View

187mm (height)

29mm (depth)

INTERFACE DIAGRAM



BT	Network	RJ45	Zigbee	PWR	DC	SET	Wi-Fi	RES
BLE Antenna	Network Pairing Indicator	Ethernet Port Terminals	Zigbee Antenna	Power LED	Power Connector	Settings Button	Wi-Fi Antenna	Reset Button

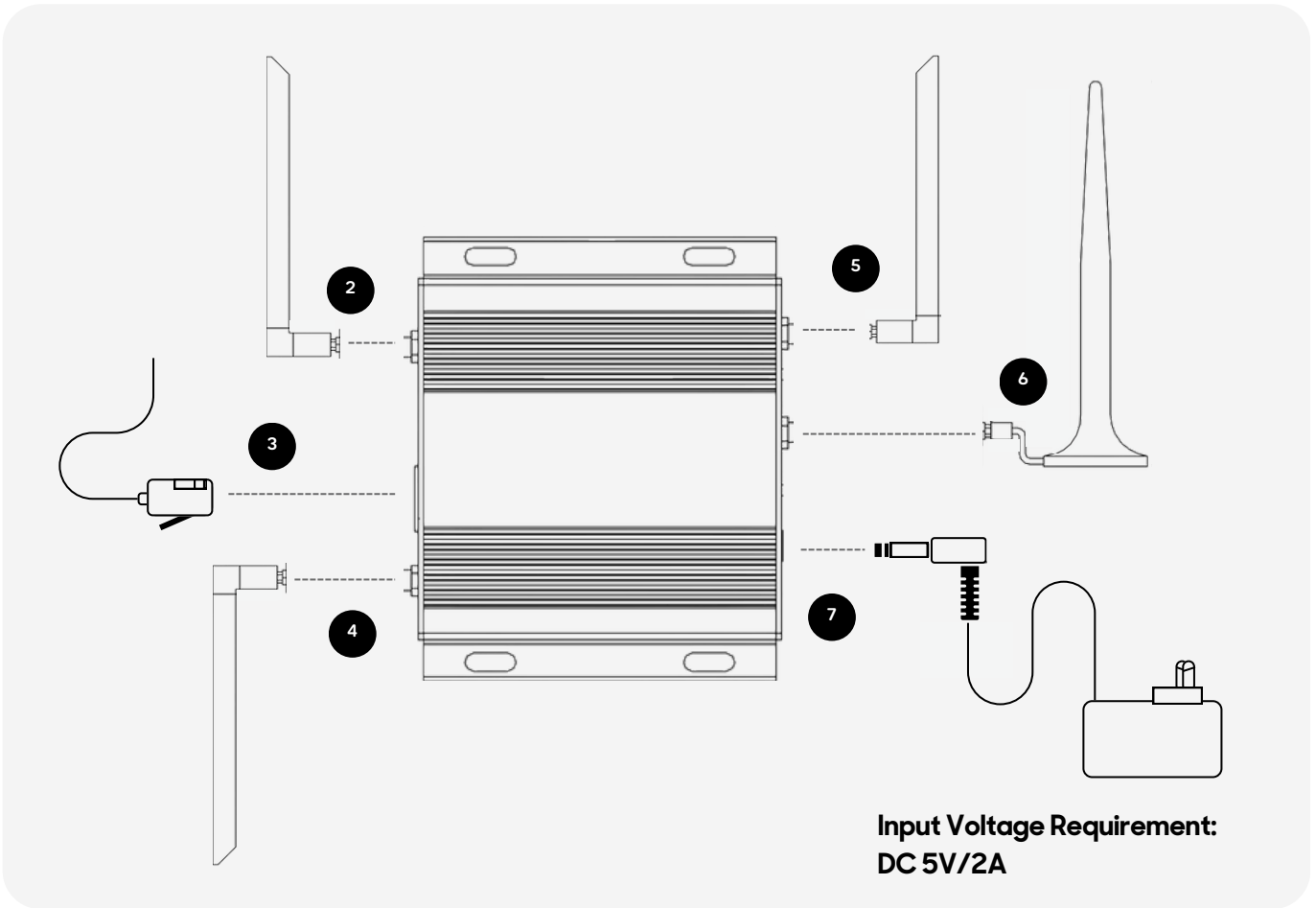
INSTALLATION

- 1 Choose an appropriate location to set up the gateway.

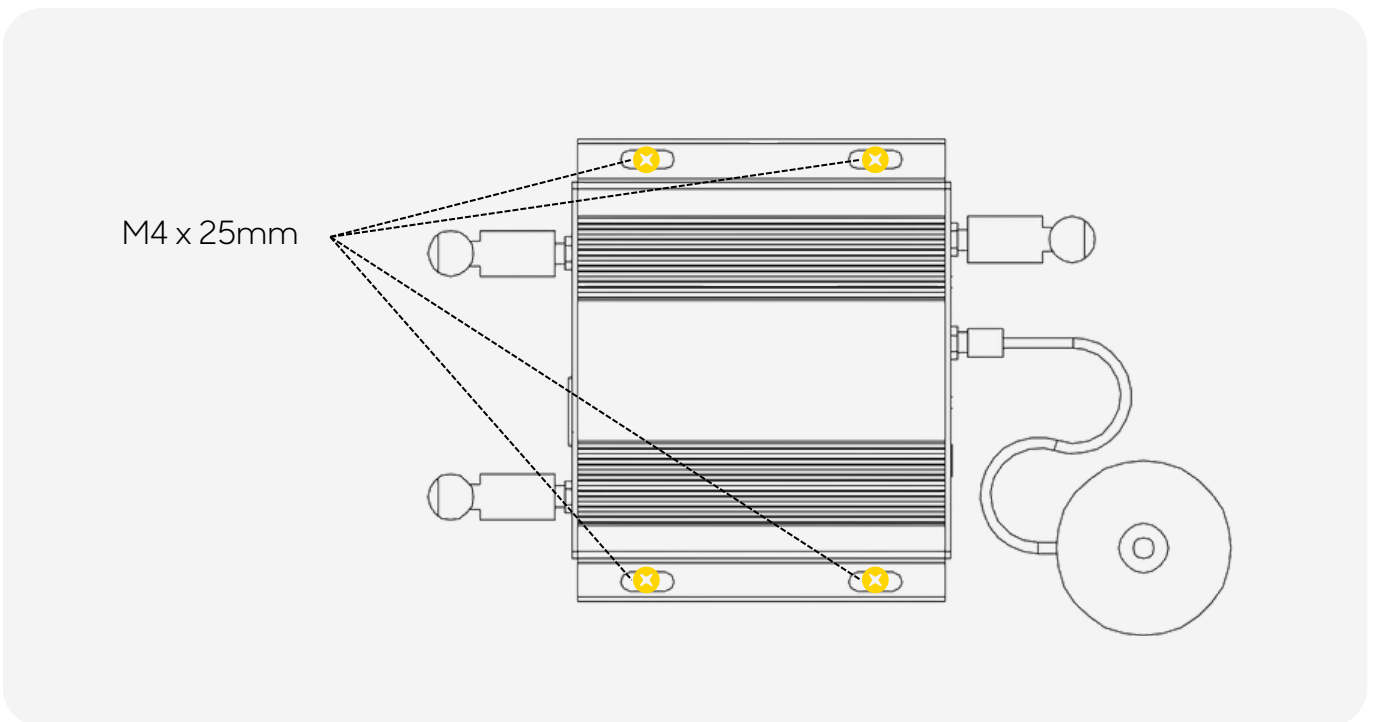
Placement Consideration: Place on a shelf mount, rather than on the floor with minimal interference.

***Disclaimer:** Installation environment requirements and signal transmission distance suitable installation location requirements refer to the spec table.

- 2 Attach BLE antenna to BT interface.
- 3 Attach ethernet cable to RJ45 interface.
Note: When powering on, the indicator light will remain off.
- 4 Attach Antenna (or extended antenna) to Zigbee interface.
- 5 Attach Antenna to Wi-Fi interface.
- 6 Attach Antenna (or extended antenna) to Wi-Fi interface.
- 7 Insert power connector to DC charging port.



8 Screw the gateway into place at the required location.



NEXT STEPS

The Konec Multimode Smart Gateway Installation Guide has been completed.

For Set Up and Configuration steps, go to the official Konec website for more information. Go to the product page's resource section and refer to:



USER MANUAL - Konec Multimode Smart Gateway

Model Name: KTY-UX18-ZGBL-KC

SKU: KGW00001



Scan the QR code to download the User Manual and other helpful documents.

Konec Solutions Pty Ltd

Please do not hesitate to contact us if you have any questions.



Konec Official Web

<http://www.konechome.com.au>



Hotline

1300 2 56632 (1300 2 KONEC)



Sales & Partnership

sales@konec.com.au



Customer Support

support@konec.com.au



Address

L3 5 Talavera Road Macquarie Park NSW 2113