

# KTY-UX18-ZGBL-KC



Ethernet, Wi-Fi, 5V DC, Connects BLE Zigbee devices, External Antennas, Metal housing, Faulty Gateway Replacement Function, Black



## KONEC MULTIMODE SMART GATEWAY

SKU: KGW00001

This gateway supports Zigbee and Bluetooth, enabling seamless communication between smart devices. It simplifies building a smart home by connecting and managing devices across different protocols.

Scan the QR Code to download Arks by Konec Solutions App



## FEATURES



### ALL-IN-ONE GATEWAY

This gateway is a versatile device capable of supporting a large number of sub-devices, making it an all-in-one solution for setting up your smart home.



### SUPPORTS MULTIPLE COMMUNICATION PROTOCOLS

This gateway is able to communicate and control both Bluetooth and Zigbee devices simultaneously, providing stable connection and group control services.



### HIGH COMPATIBILITY

Reliable capability of connecting to over 100 devices simultaneously. The gateway allows easy connectivity and set up for smart devices, and creating various smart automation scenes.



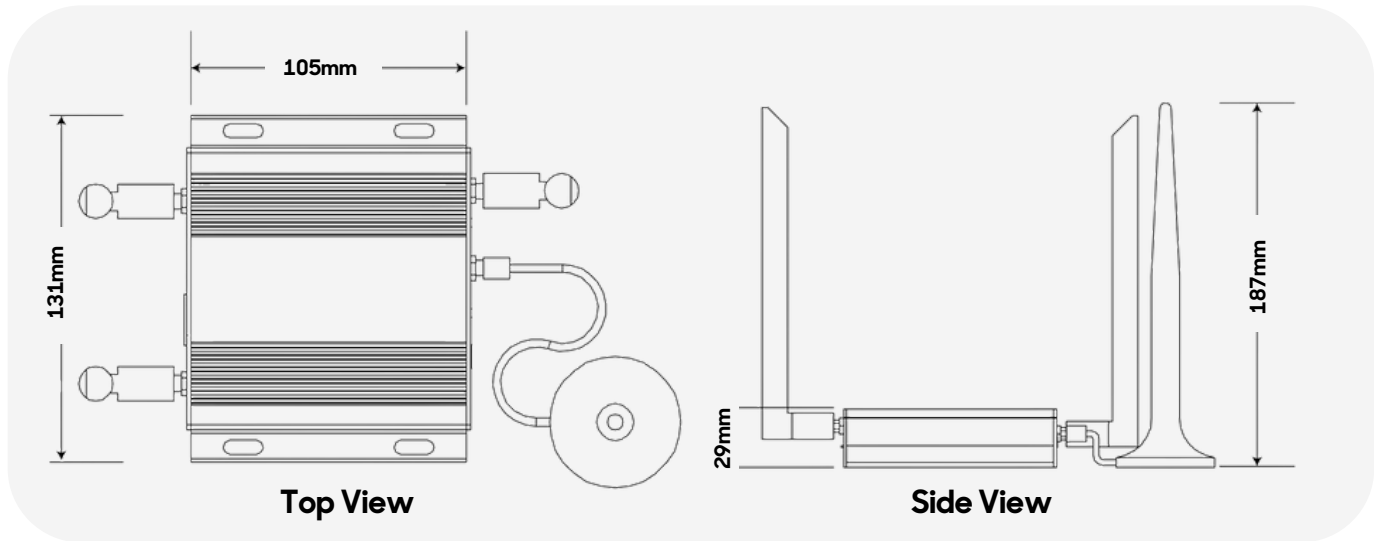
### OTA UPDATE

Receive the latest firmware notifications and update using the app.

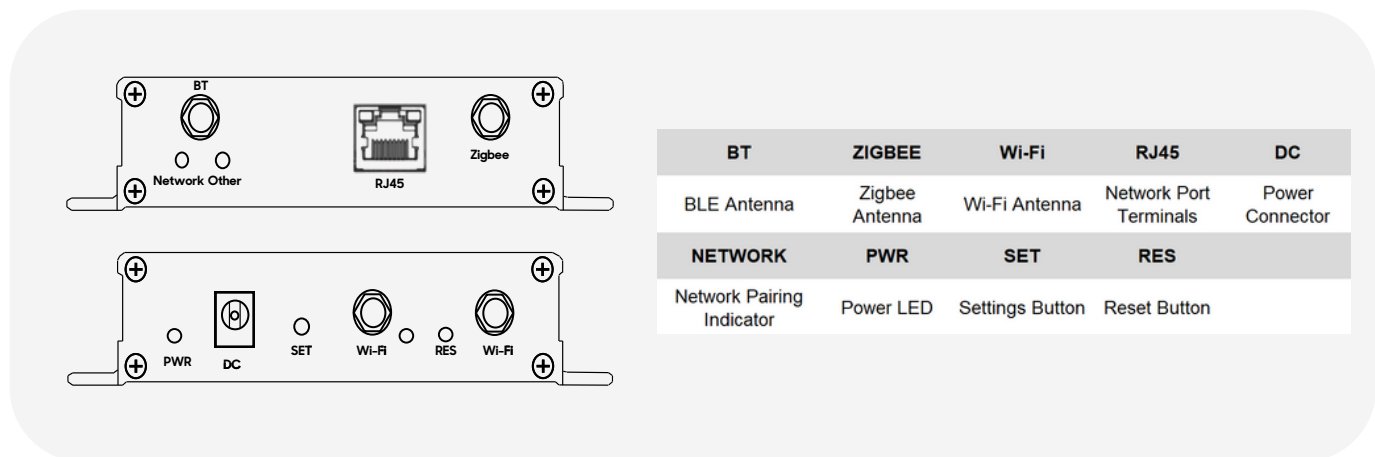
## SPECIFICATIONS

<b>Power Input</b>	DC 5V/2A
<b>Uplink</b>	Ethernet Cable, Wi-Fi
<b>Downlink</b>	Zigbee, Bluetooth
<b>Net Weight</b>	368.5g
<b>Materials</b>	Aluminium
<b>Dimensions</b>	105 × 131 × 29mm
<b>Operating Environment</b>	Temperature: -10°C ~ 55°C Humidity: 10% ~ 90%RH(Non-Condensing)
<b>Transmission Distance</b>	35m Indoors, 250m Outdoors
<b>Sub-device Access</b>	Max. 200, Zigbee ≤ 128, BLE ≤ 128
<b>Flash</b>	32MB

# DIMENSIONS



# INTERFACE DIAGRAM



## Disclaimer

This document provides technical specifications for the Konec Multimode Smart Gateway and is intended for reference only. Product specifications, features, and visuals may change without prior notice. For the most current product specifications, visit [www.konec.com.au](http://www.konec.com.au). Konec Solutions Pty Ltd makes no guarantees regarding the completeness, accuracy, or currentness of this document. Users are responsible for verifying compatibility, suitability, and compliance with local regulations before purchase, installation, or use. To the extent permitted by law, Konec Solutions disclaims any liability for direct, indirect, incidental, or consequential damages resulting from reliance on this document.

Nothing in this disclaimer limits or excludes your rights under the Australian Consumer Law or the New Zealand Consumer Guarantees Act 1993.

Konec Solutions Pty Ltd.  
<https://www.konec.com.au/>  
 1300 2 56632 (1300 2 KONEC)  
[info@konec.com.au](mailto:info@konec.com.au)