

KTY-TPA10-M2UC-118KC



SKU: KCP00031



KONEC SMART CONTROL PANEL 10" MAX

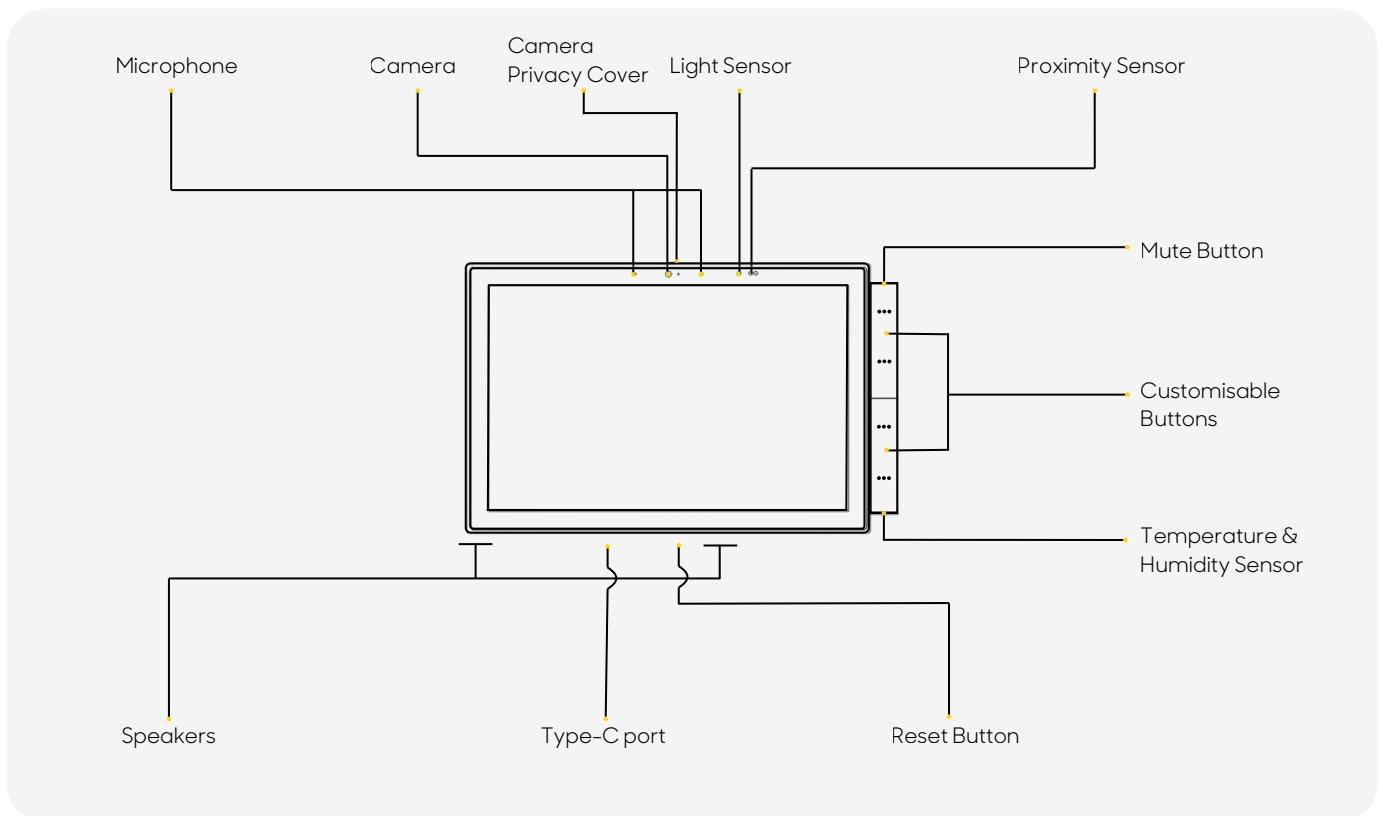
INSTALLATION GUIDE

Scan the QR Code to download Arks by Konec Solutions App

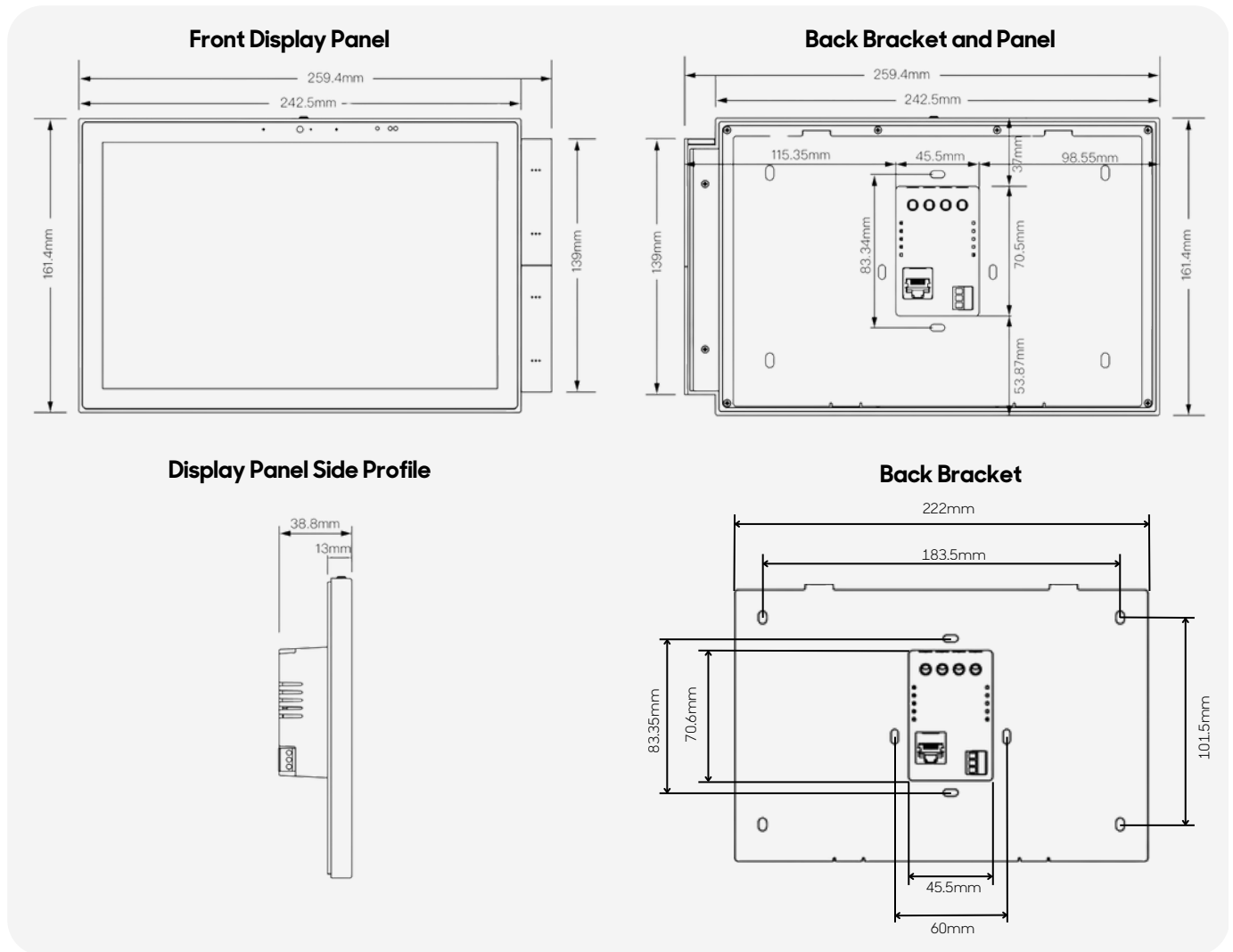


Disclaimer	Installation Safety Warnings
<ul style="list-style-type: none"> This guide is intended to assist qualified professionals with the correct installation of the Konec Smart Control Panel 10"Max. Please follow all instructions carefully and ensure compliance with AS/NZS 3000 and local regulations. Improper installation or modification may void the warranty and result in safety risks. This guide is for reference only. Product details may change without notice. To the extent allowed by law, Konec Solutions is not liable for any damage, injury, or loss resulting from the use of this guide or the installation process. This disclaimer does not affect your rights under the Australian Consumer Law or the New Zealand Consumer Guarantees Act 1993. 	<p>To ensure a safe and compliant installation, please follow these precautions:</p> <ul style="list-style-type: none"> This product is designed for professional installation. Disconnect power before starting installation or maintenance. Installation must comply with AS/NZS 3000 and all relevant local electrical and building regulations. Do not exceed the product's rated electrical capacity. Avoid using power tools unless explicitly specified. Do not install in areas exposed to water or high humidity unless rated for such conditions. Use appropriate personal protective equipment (e.g., gloves, safety glasses).

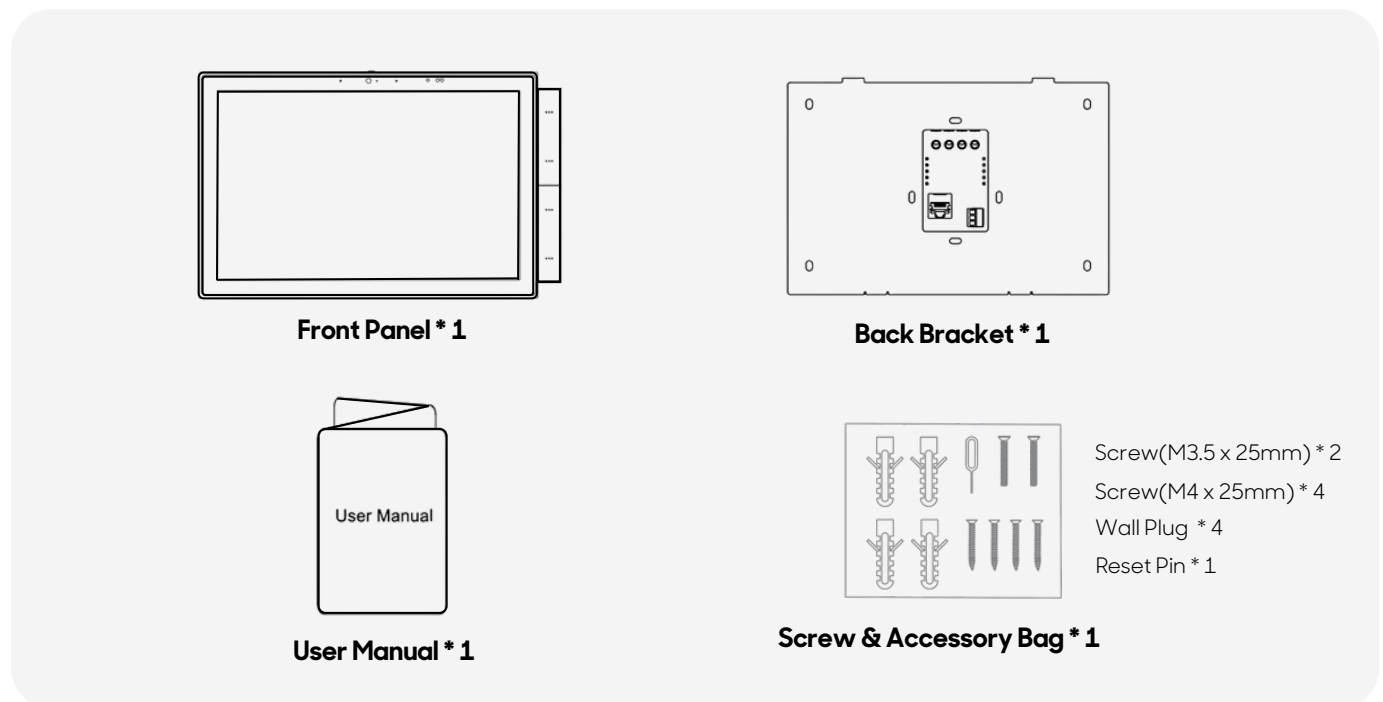
PRODUCT DIAGRAM



DIMENSIONS



WHAT'S INCLUDED



POWER BASE SPECIFICATIONS

Input	100-240V, 50/60Hz
Switch	100-240V, 50/60Hz 10A (Two-way relay)
Single Load	200W
Total Load	400W
Network Port	RJ45 Network port * 1
Other Interface	RS485 Interface * 1

PRECAUTIONS



CAUTION: PLEASE CUT OFF THE POWER WHEN WIRING.



Household and indoor uses only, installed by a qualified professional.



INSTALLATION PRE-CAUTION

1. Avoid using excessive force when installing the screws to prevent bracket deformation.
2. The stripping length for wiring is approximately 10mm. Adjust as needed to ensure a secure connection and prevent exposed wires.
3. Ensure the input voltage matches the operating voltage of this product before use.
 - ✘ Do not insert a passive PoE Ethernet Cable into the network port.
4. Do not attempt to repair the product by yourself. Unauthorised modifications or firmware flashing will void the warranty.
5. The product should be installed on a flat and secure wall.
6. The circuit breaker box must be made of plastic, composed of non-hygroscopic material, and have a minimum fire-resistance rating of 5V.
7. **Avoid direct sunlight exposure, as high humidity combined with light may cause condensation inside the screen.**

PRE-INSTALLATION PREPARATIONS

1. Before installing the control panel, attach the stud bracket or C-Clip to the wall. Confirm that the placement aligns properly with the control panel's power base. Please refer to the placement examples provided below.

* If the Stud bracket or C-Clip is not installed onto the wall, we have an alternative option to fix the panel with M4 x 25mm screws and Wall plugs (Pg.05, Step 3).

2. Ensure that the cavity box is spacious enough to accommodate the base and cables. It's important to allow enough room for the cables to prevent potential damage from overbending.

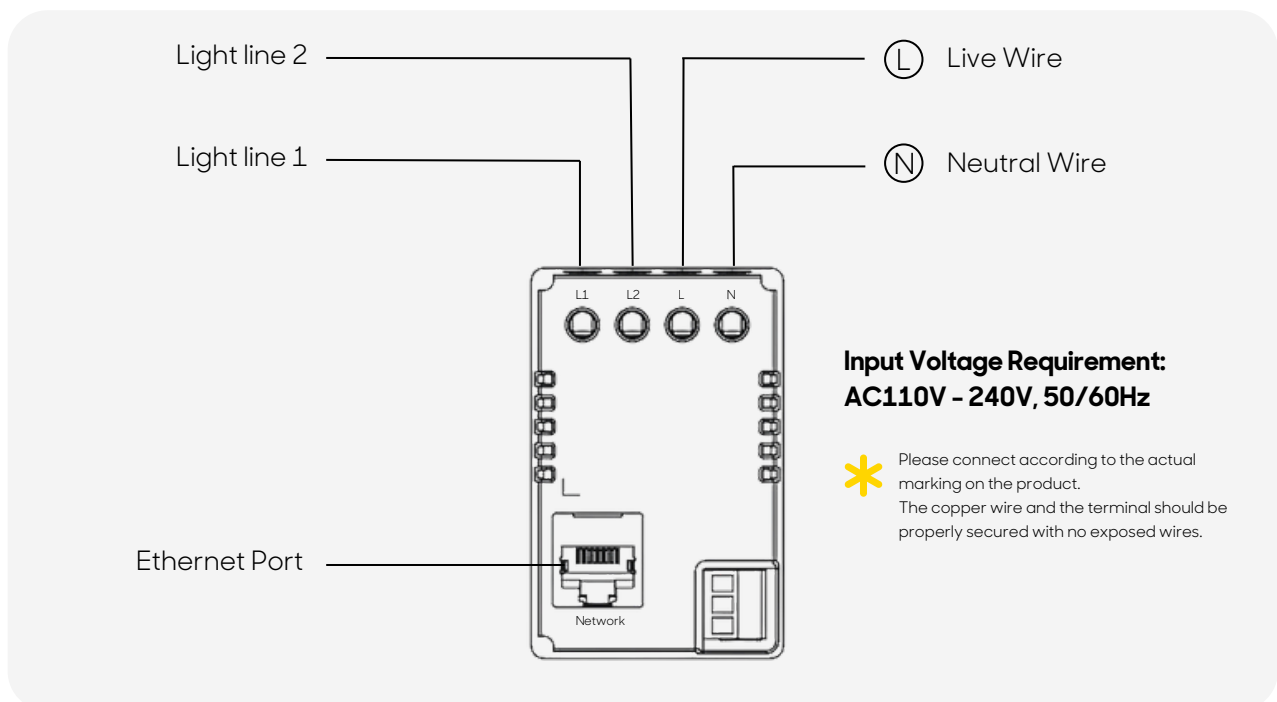


INSTALLATION

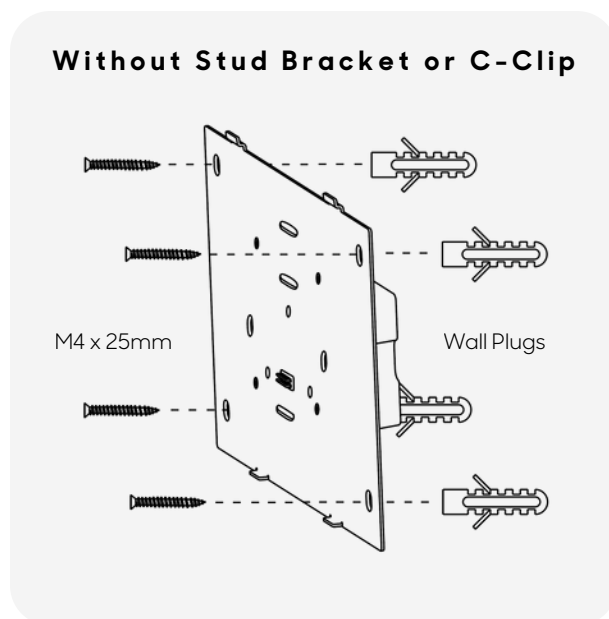
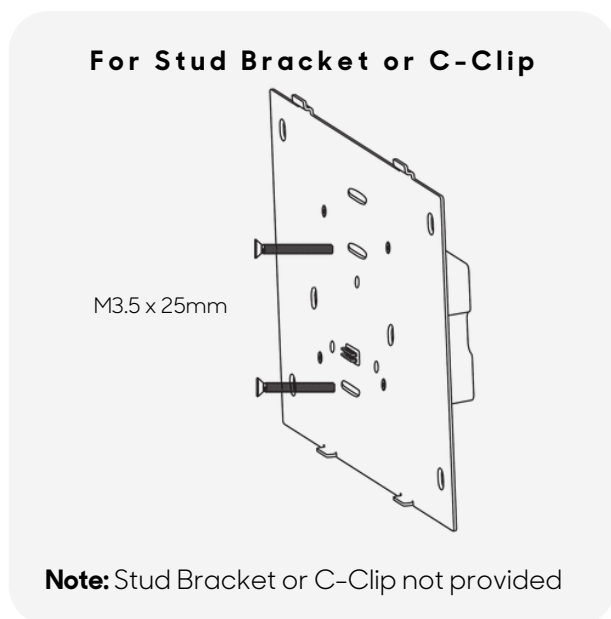
1. Turn off the power supply from the circuit board.
2. Refer to the diagram below to connect the wires to the base (L and N).
3. Connect the Ethernet cable to the Network Port.

Disclaimer: 485 port is currently not supported.

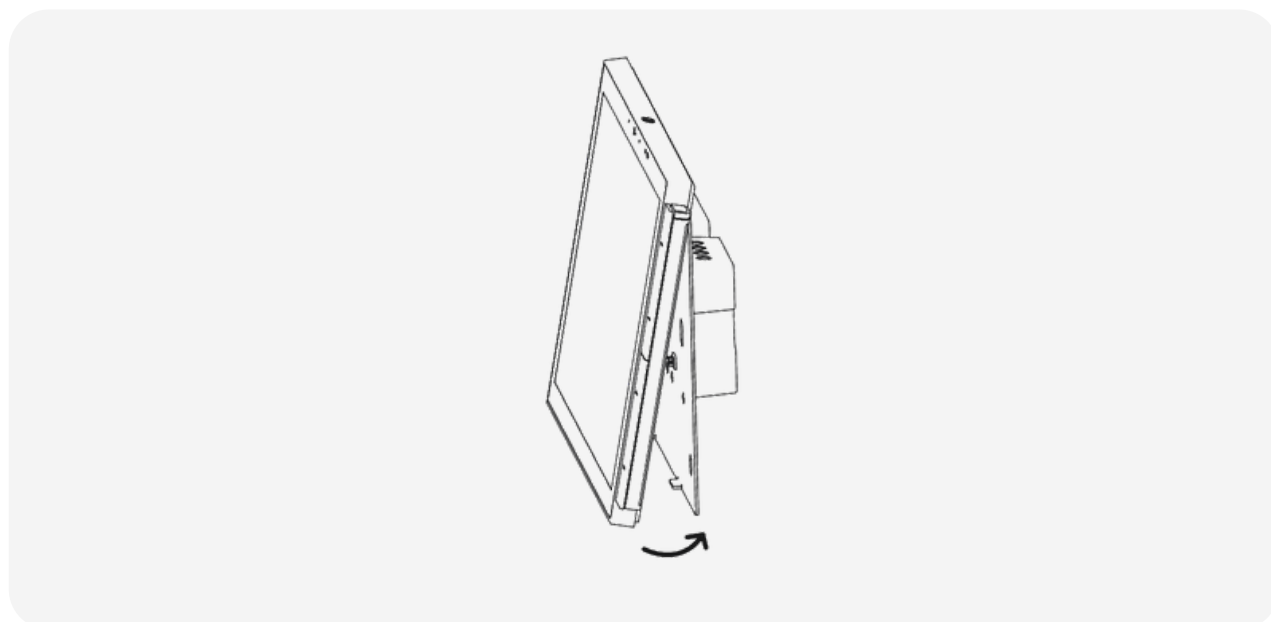
Optional Step: Once L1 and L2 are connected to the load, you can assign the control mapping of both channels to any of the four customisable buttons on the control panel.



3. Fix the back bracket onto the wall with screws.



4. Connect the panel onto the back plate by hooking the top and gently connecting the bottom half. Ensure that the panel is secure before releasing.



NEXT STEPS

The Konec Smart Control Panel 10"Max Installation Guide has been completed.

For Set Up and Configuration steps, go to the official Konec website for more information. Go to the product page's resource section and refer to:



USER MANUAL - Konec Smart Control Panel 10"Max

Model Name: KTY-TPA10-M2UC-118KC

SKU: KCP00031



Scan the QR code to download the User Manual and other helpful documents.

Konec Solutions Pty Ltd

Please do not hesitate to contact us if you have any questions.



Konec Official Web

<http://www.konechome.com.au>



Hotline

1300 2 56632 (1300 2 KONEC)



Sales & Partnership

sales@konec.com.au



Customer Support

support@konec.com.au



Address

L3 5 Talavera Road Macquarie Park NSW 2113